

OPERATION WHEN DIRECTLY CONNECTED TO CHIMNEY	
Tested according to	EN 13229
Nominal heat power	10 kW
Efficiency	> 80 %
Consumption of wood	3 kg/h
Mass flow of flue gas	9 g/s
<b>Average flue gas temperature</b> on the output	265 °C
<b>Heat distribution</b>	
fireplace insert	54–65 %
door glass (single / double)	46 / 35 %
Required chimney pressure	12 Pa
Required amount of combustion air	30 m <sup>3</sup> /h
Minimum supply air grating cross-section	1 200 cm <sup>2</sup>
Minimum outgoing air grating cross-section	1 400 cm <sup>2</sup>

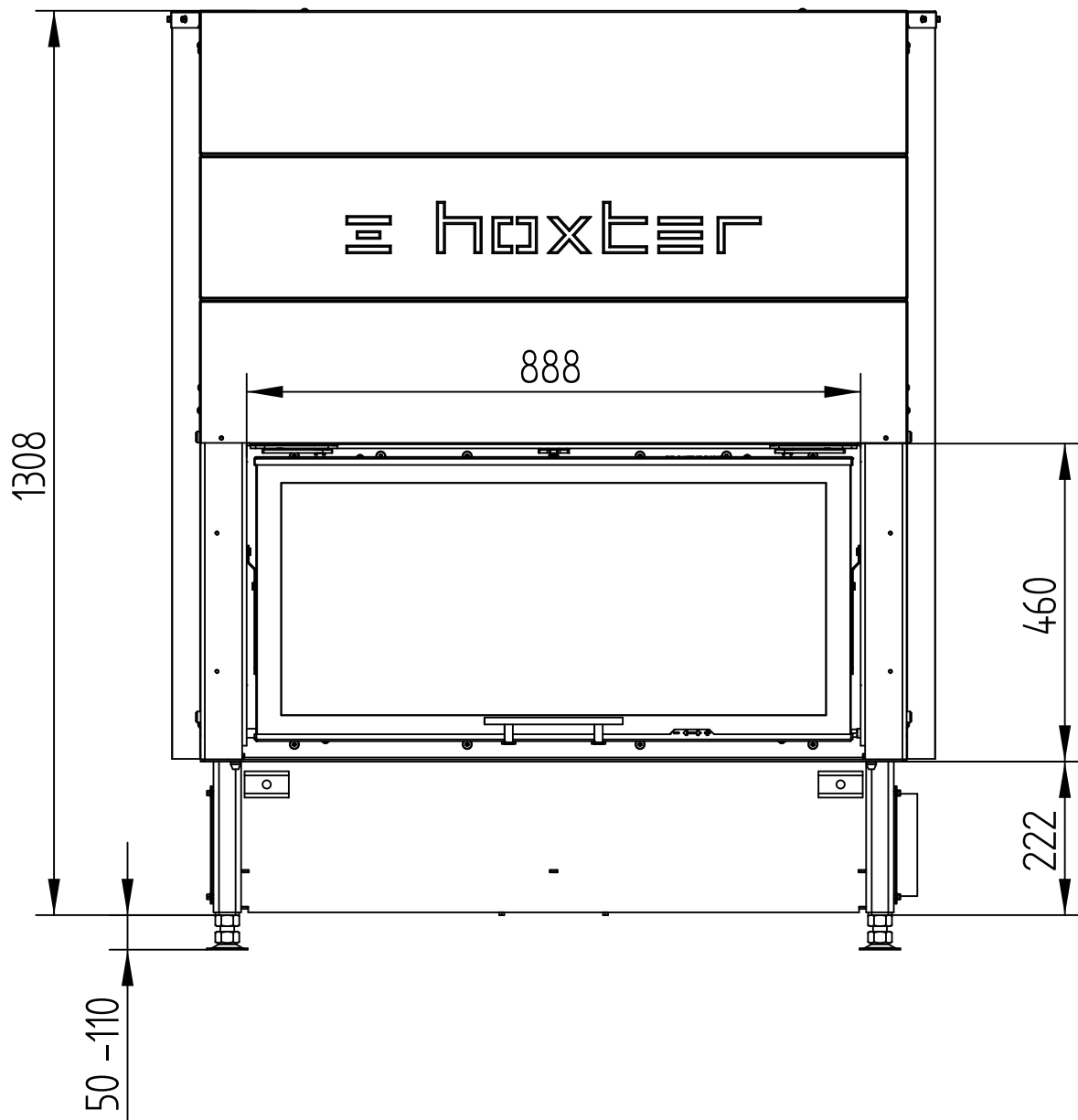
GENERAL TECHNICAL INFORMATION	
Combustion air connection	Ø 150 mm
Total weight / lining weight	370 <sup>(A)</sup> - 312 <sup>(B)</sup> - 250 <sup>(C)</sup> / 105 kg
Use in non-ventilated accumulation builds according to craft rules	suitable
Meets values	BlmSchV (Stufe2), 15a BVG

# HAKA 89/45T(h)

Technical data  
Version 07/2015

SLIDE-UP / SLIDE-UP DOORS (A)

M 1 : 10

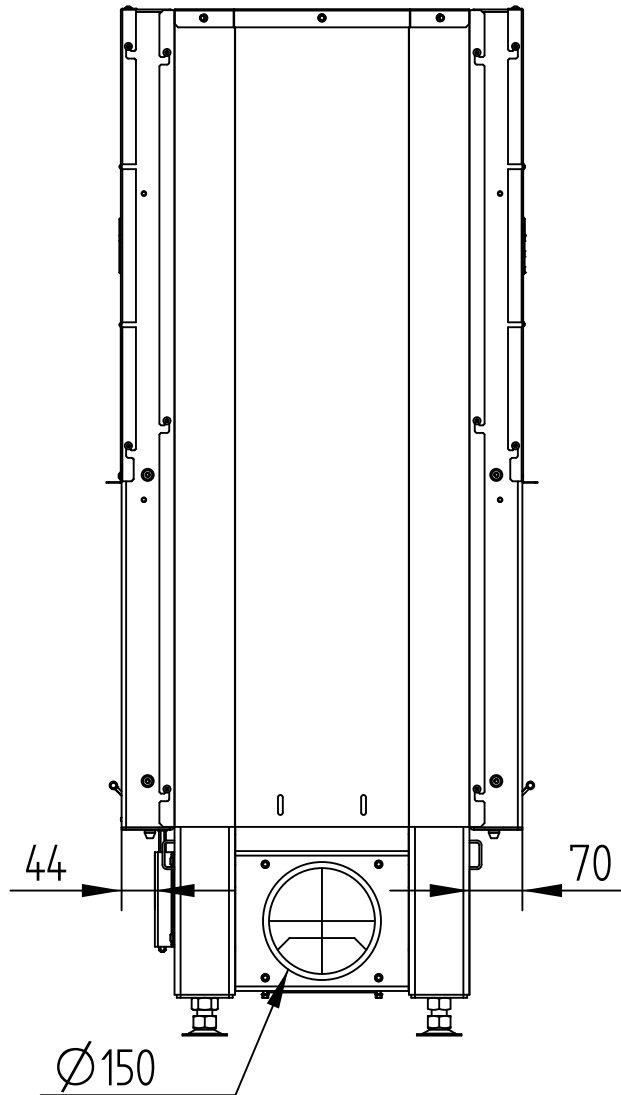


# HAKA 89/45T(h)

Technical data  
Version 07/2015

SLIDE-UP / SLIDE-UP DOORS <sup>(A)</sup>

M 1 : 10

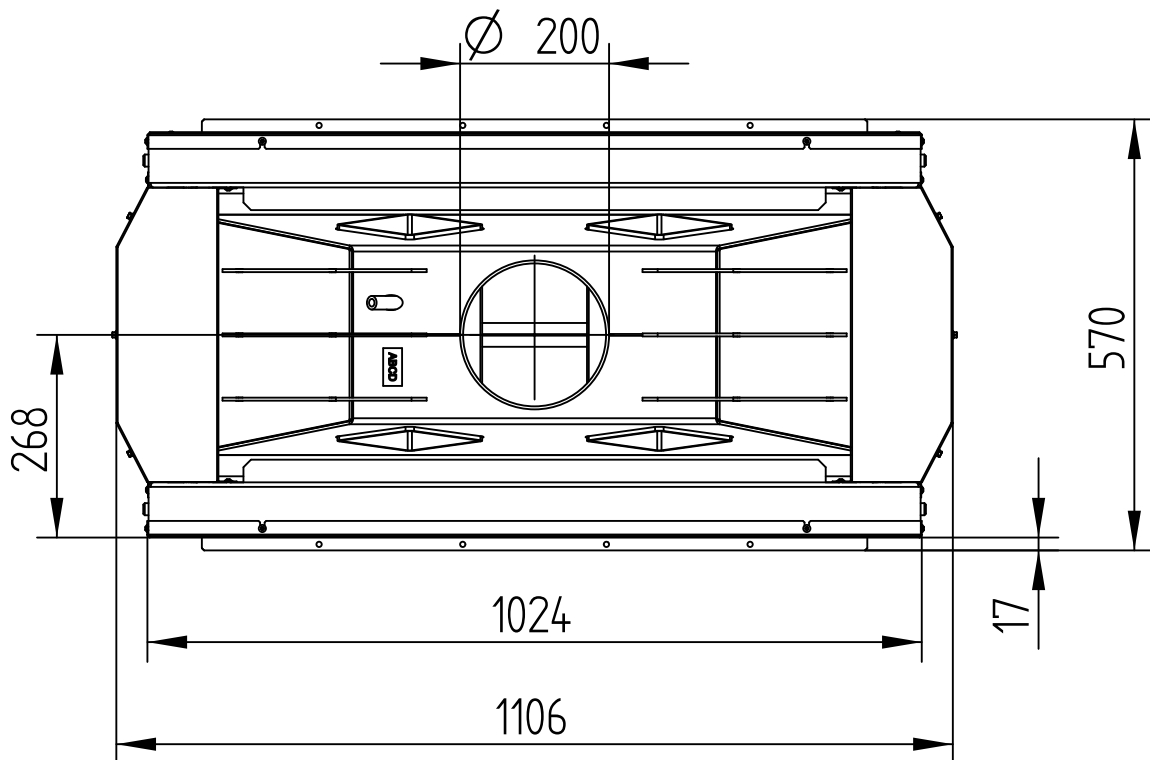


# HAKA 89/45T(h)

Technical data  
Version 07/2015

SLIDE-UP / SLIDE-UP DOORS (A)

M 1 : 10

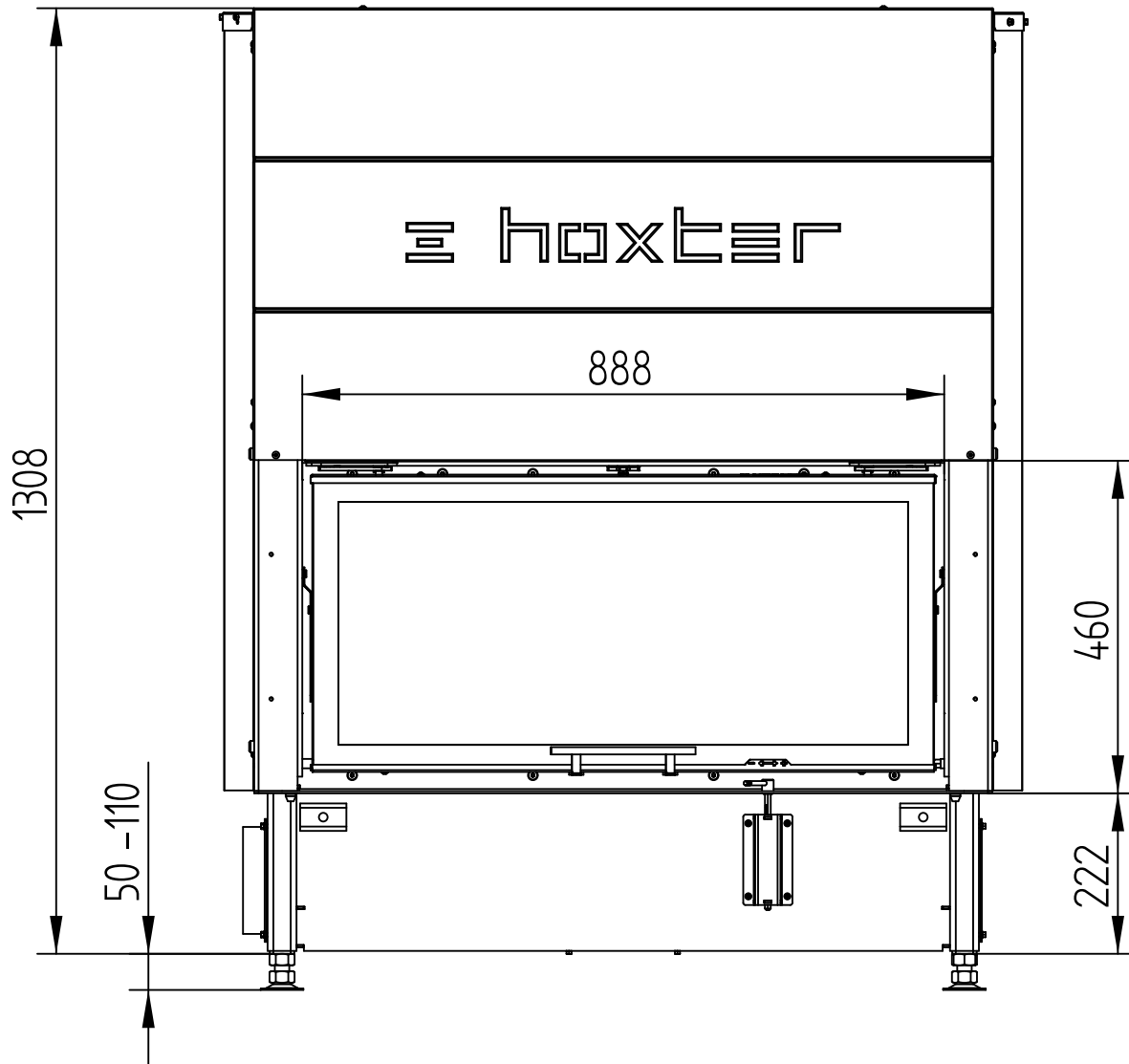


# HAKA 89/45T(h)

Technical data  
Version 07/2015

SLIDE-UP / HINGED DOORS <sup>(B)</sup>

M 1 : 10

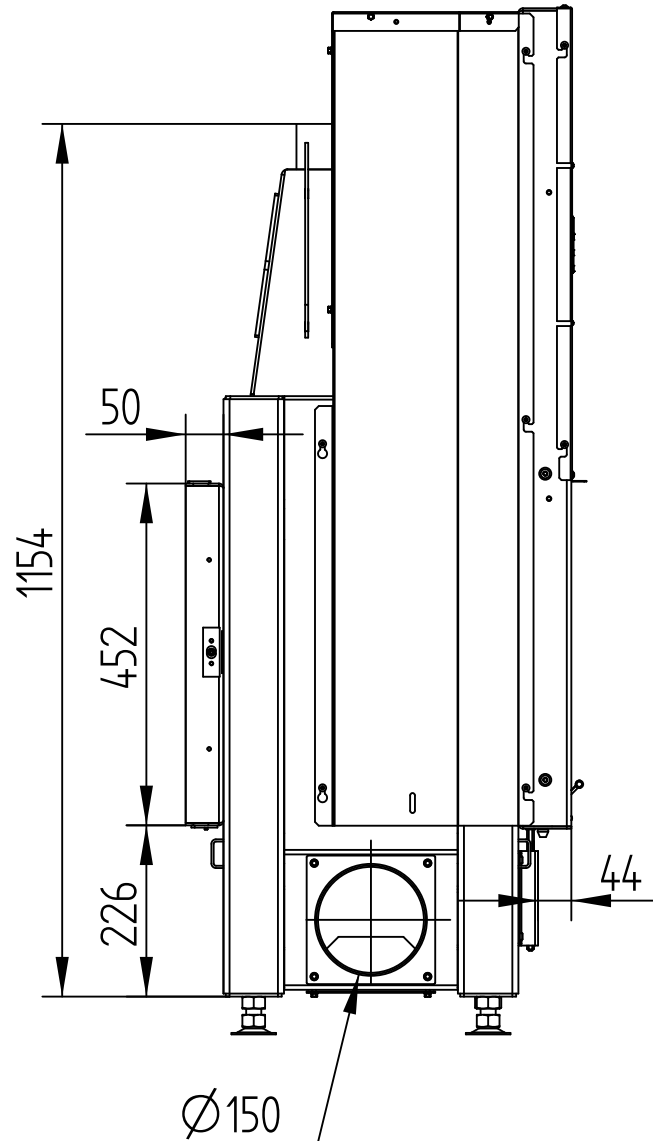


# HAKA 89/45T(h)

Technical data  
Version 07/2015

SLIDE-UP / HINGED DOORS <sup>(B)</sup>

M 1 : 10

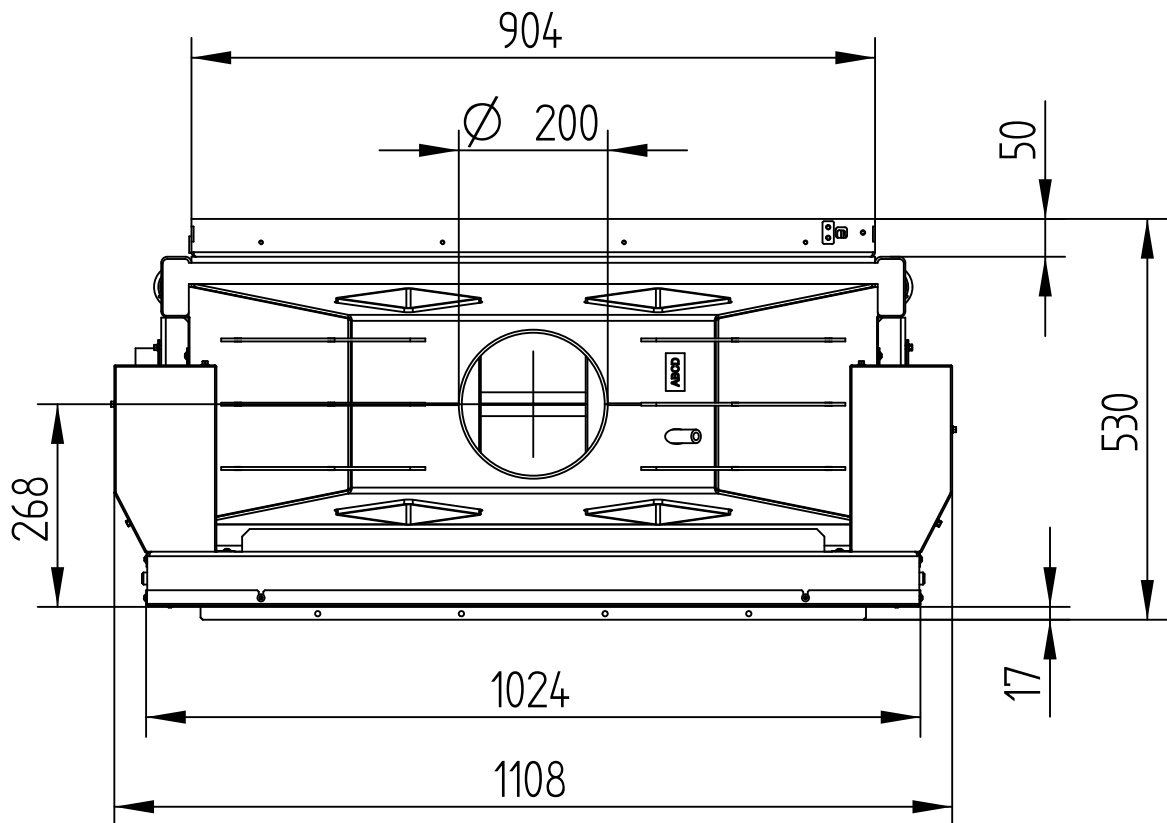


# HAKA 89/45T(h)

Technical data  
Version 07/2015

SLIDE-UP / HINGED DOORS <sup>(B)</sup>

M 1 : 10

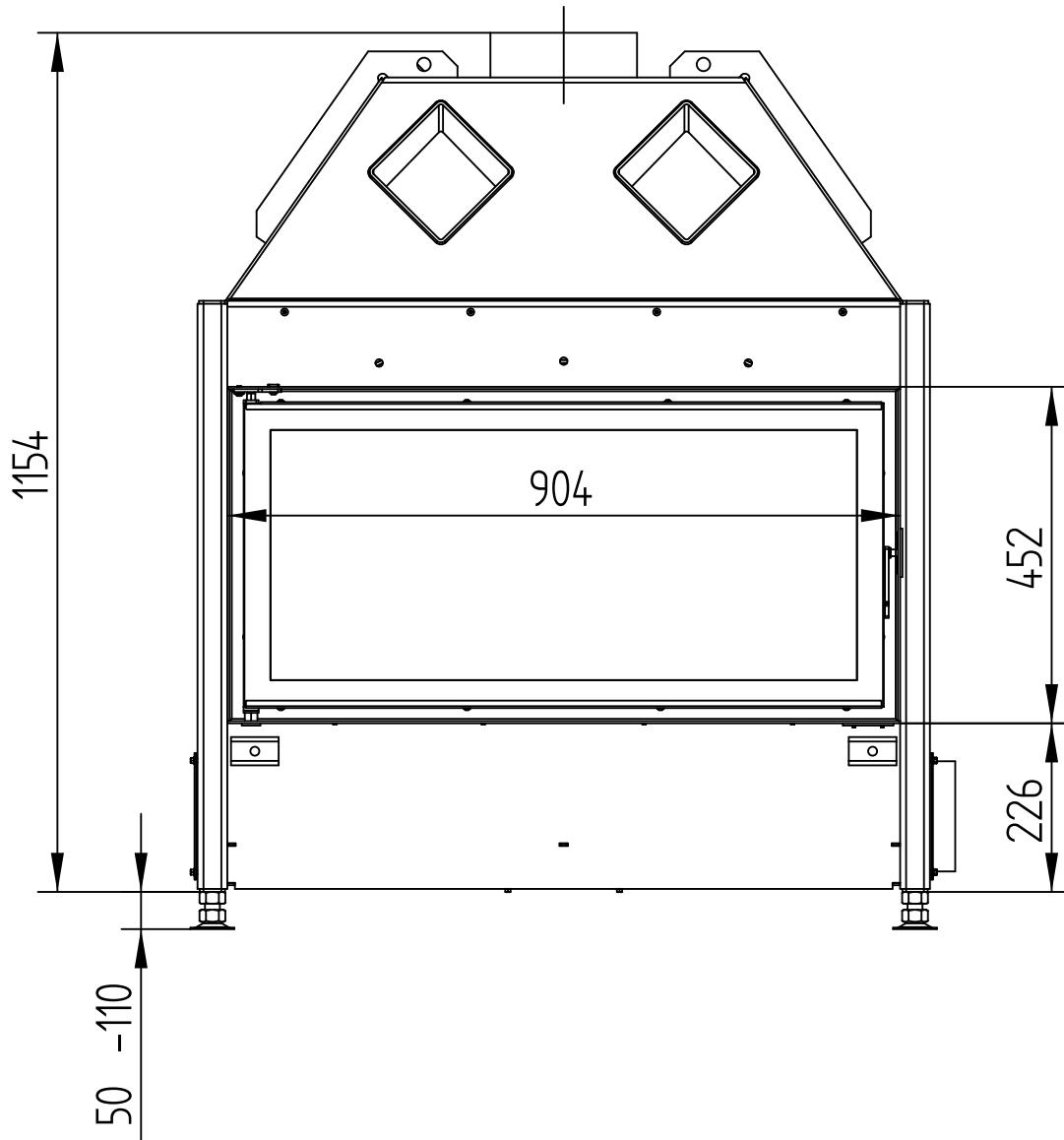


# HAKA 89/45T(h)

Technical data  
Version 07/2015

HINGED / HINGED DOORS (C)

M 1 : 10



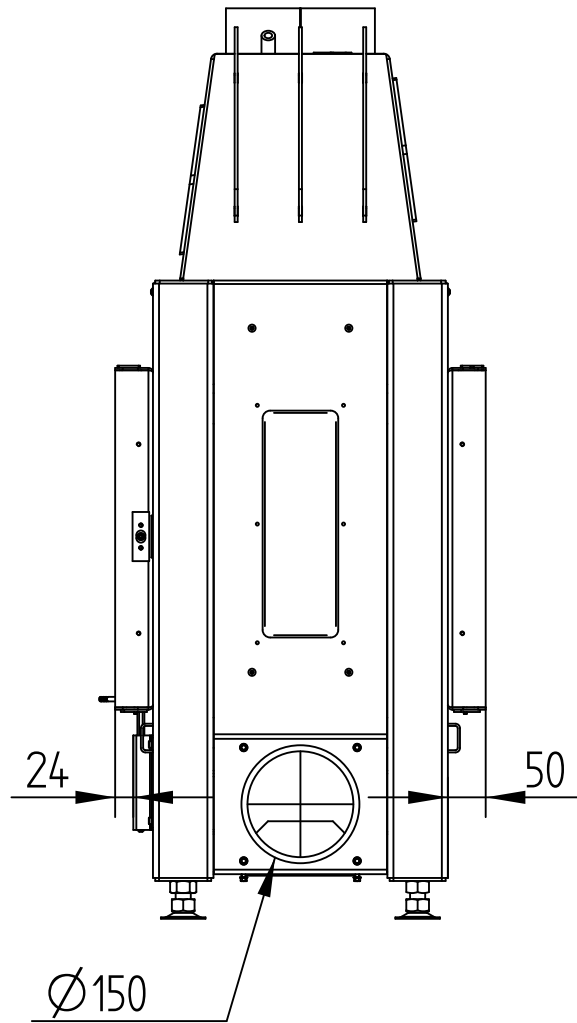


# HAKA 89/45T(h)

Technical data  
Version 07/2015

HINGED / HINGED DOORS (C)

M 1 : 10

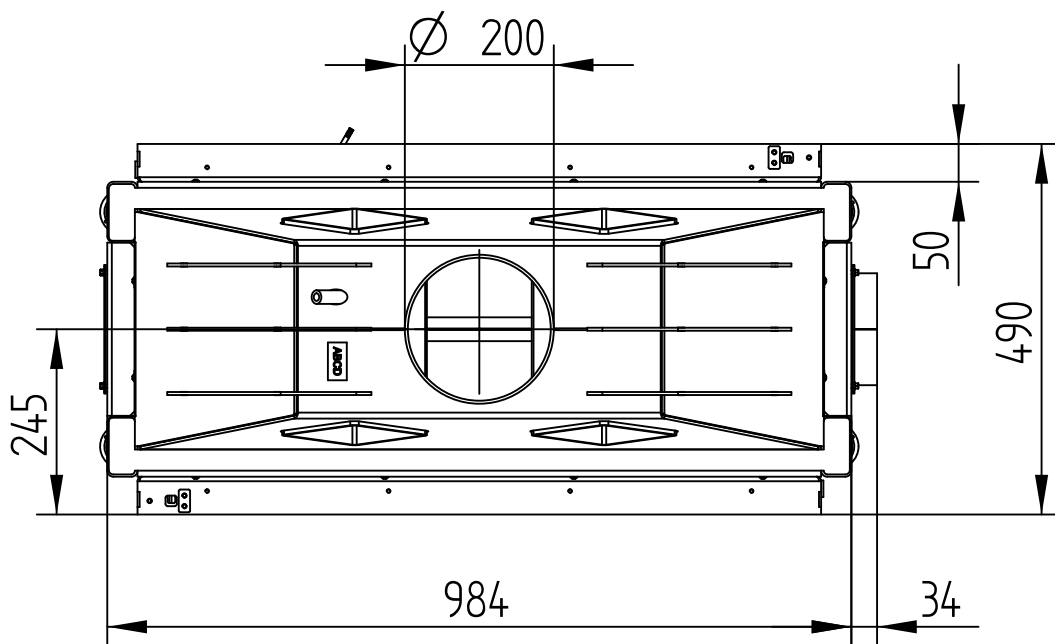


# HAKA 89/45T(h)

Technical data  
Version 07/2015

HINGED / HINGED DOORS (C)

M 1 : 10



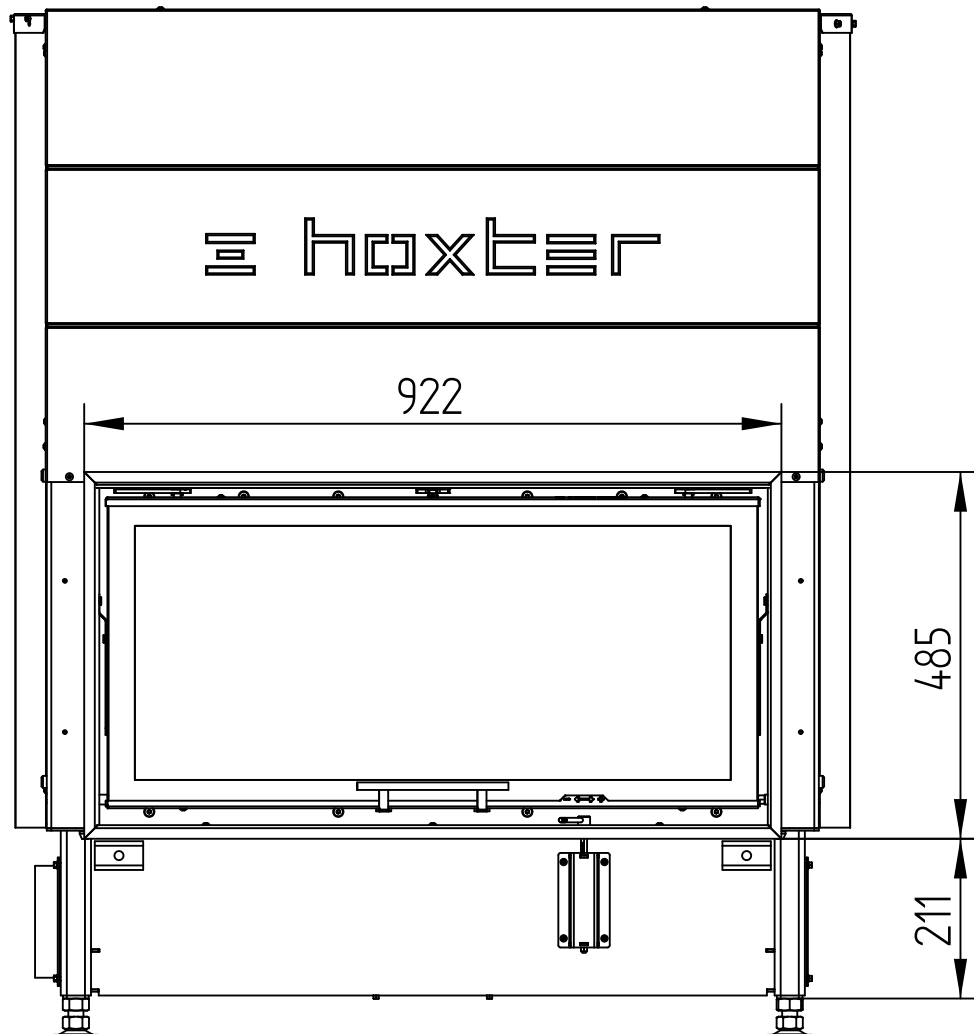
# HAKA 89/45T(h)

Technical data  
Version 07/2015

COVER FRAME 4-SIDED 1 x 90°, 50 mm

M 1 : 10

Slide-up doors



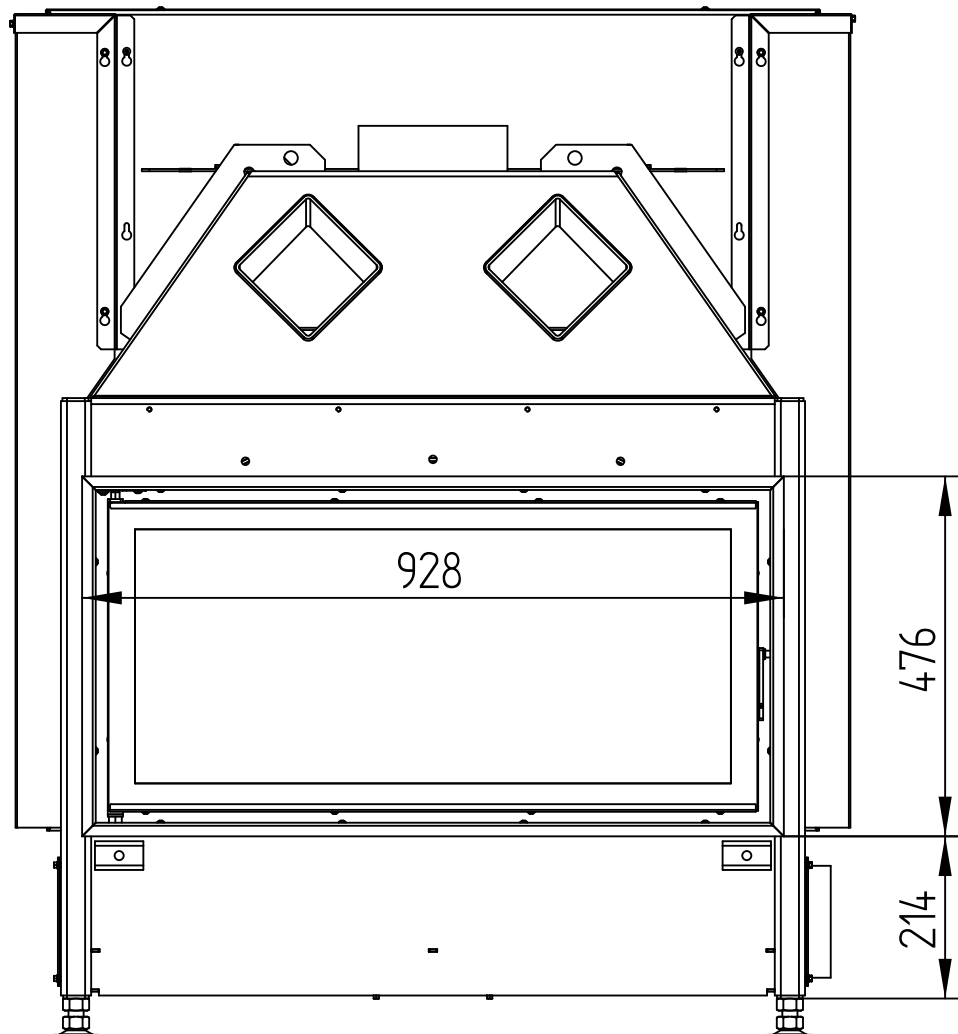
# HAKA 89/45T(h)

Technical data  
Version 07/2015

COVER FRAME 4-SIDED 1 x 90°, 50 mm

M 1 : 10

Hinged doors

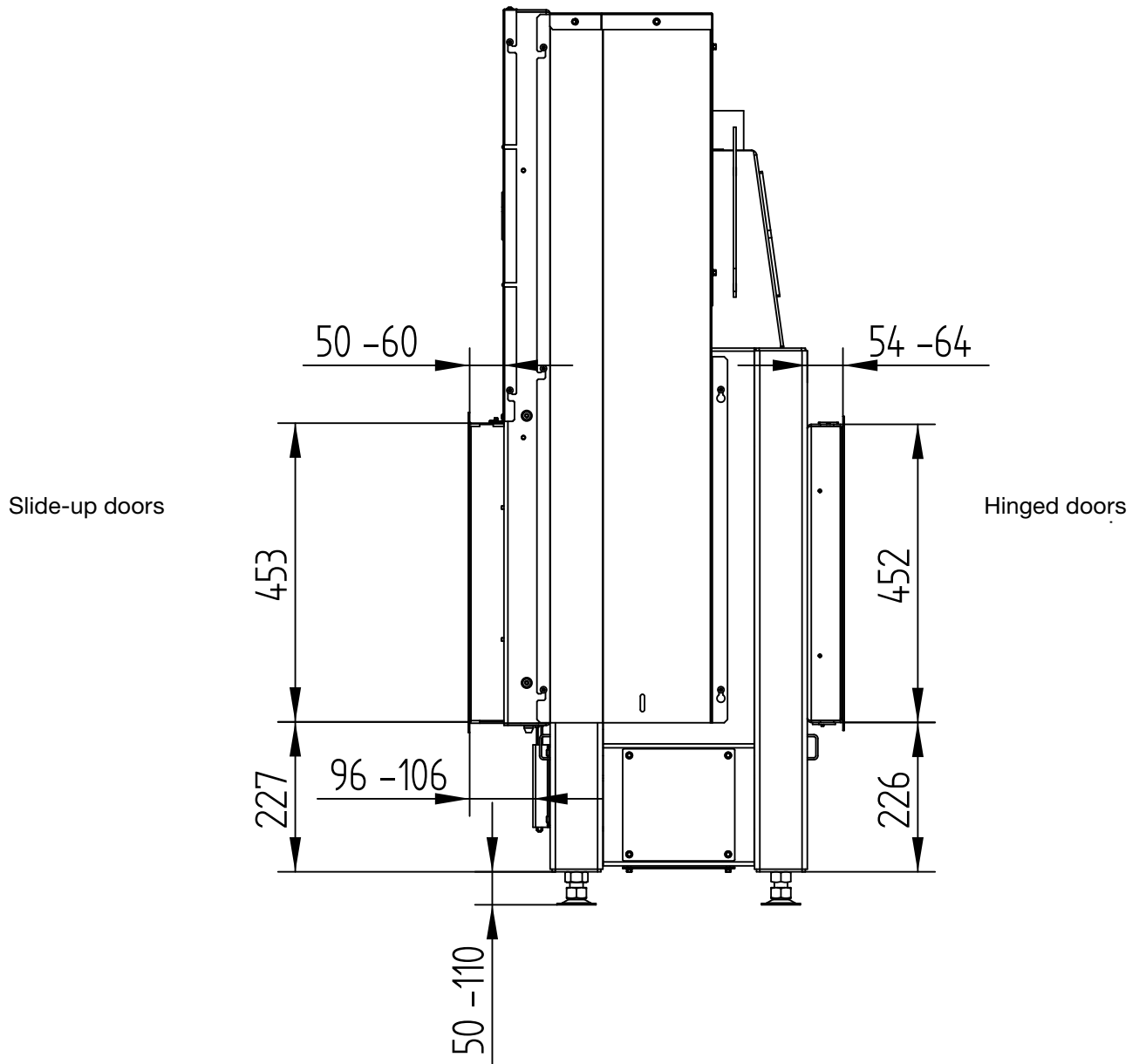


# HAKA 89/45T(h)

Technical data  
Version 07/2015

COVER FRAME 4-SIDED 1 x 90°, 50 mm

M 1 : 10

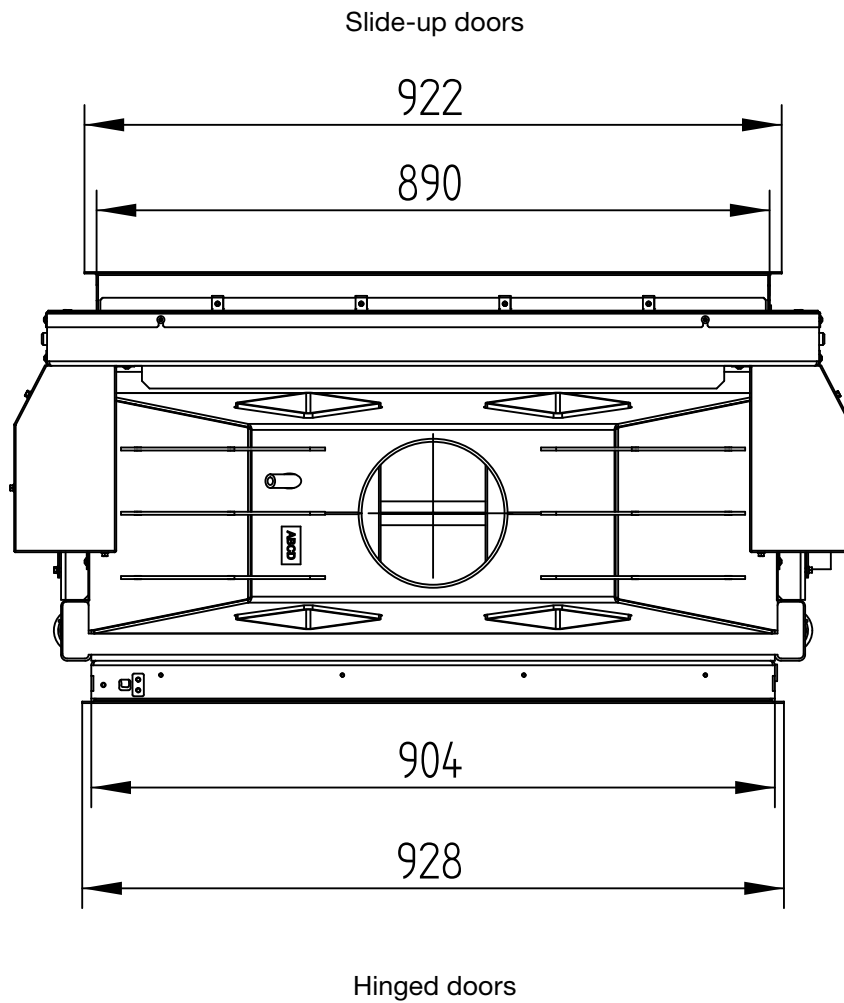


# HAKA 89/45T(h)

COVER FRAME 4-SIDED 1 x 90°, 50 mm

Technical data  
Version 07/2015

M 1 : 10



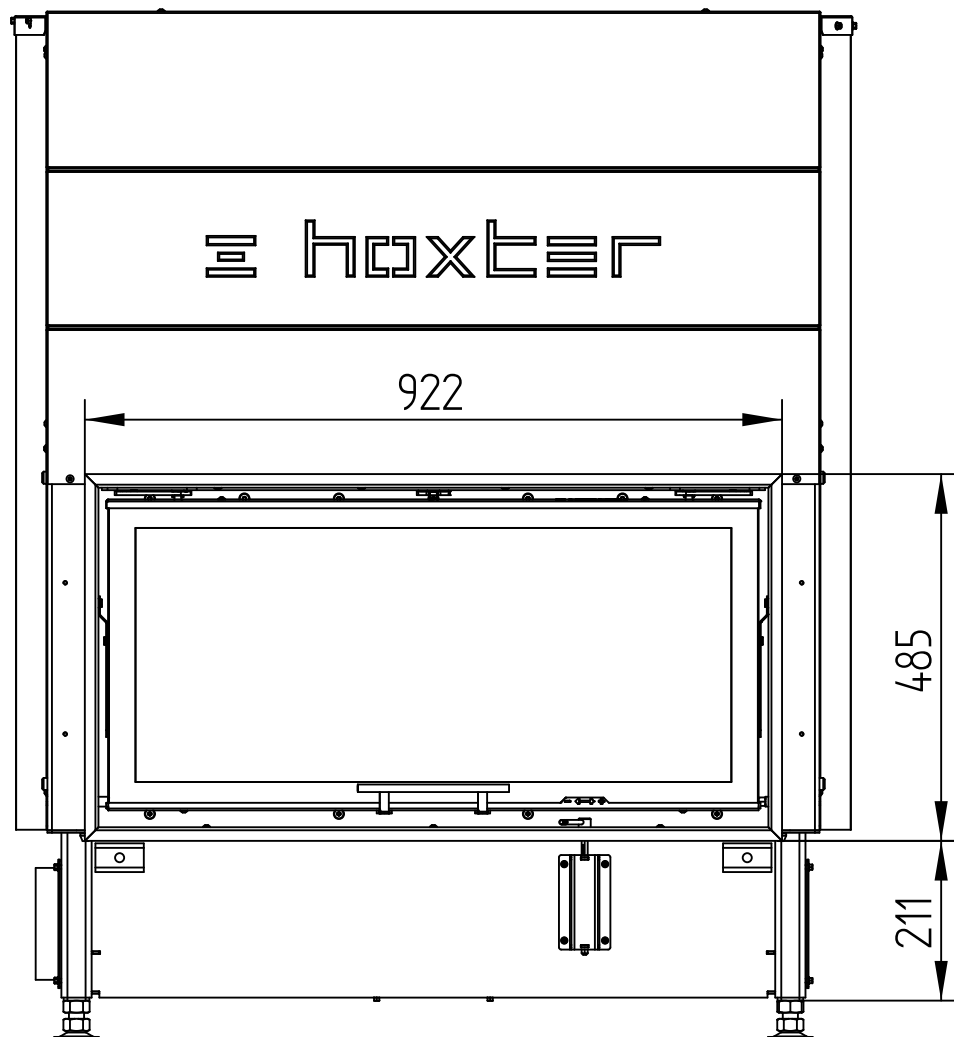
# HAKA 89/45T(h)

Technical data  
Version 07/2015

COVER FRAME 4-SIDED 1 x 90°, 80 mm

M 1 : 10

Slide-up doors



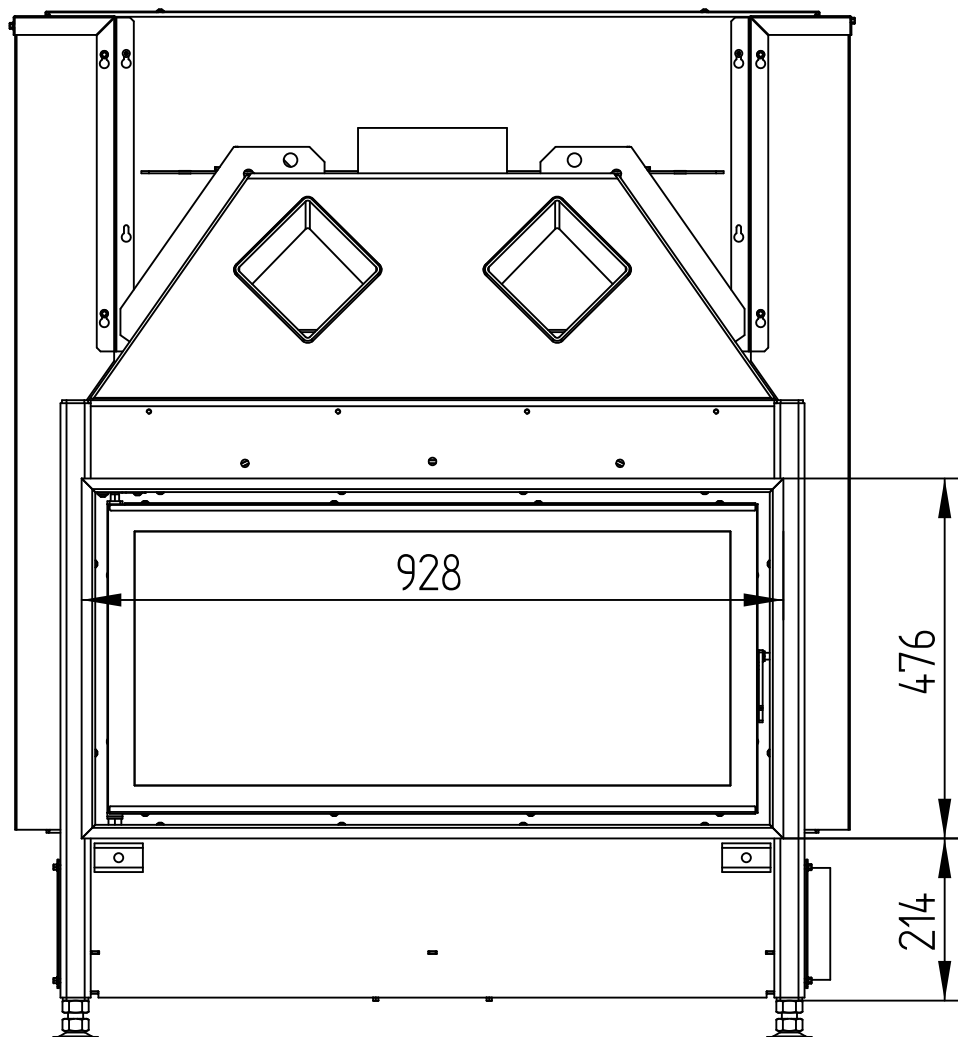
# HAKA 89/45T(h)

Technical data  
Version 07/2015

COVER FRAME 4-SIDED 1 x 90°, 80 mm

M 1 : 10

Hinged doors



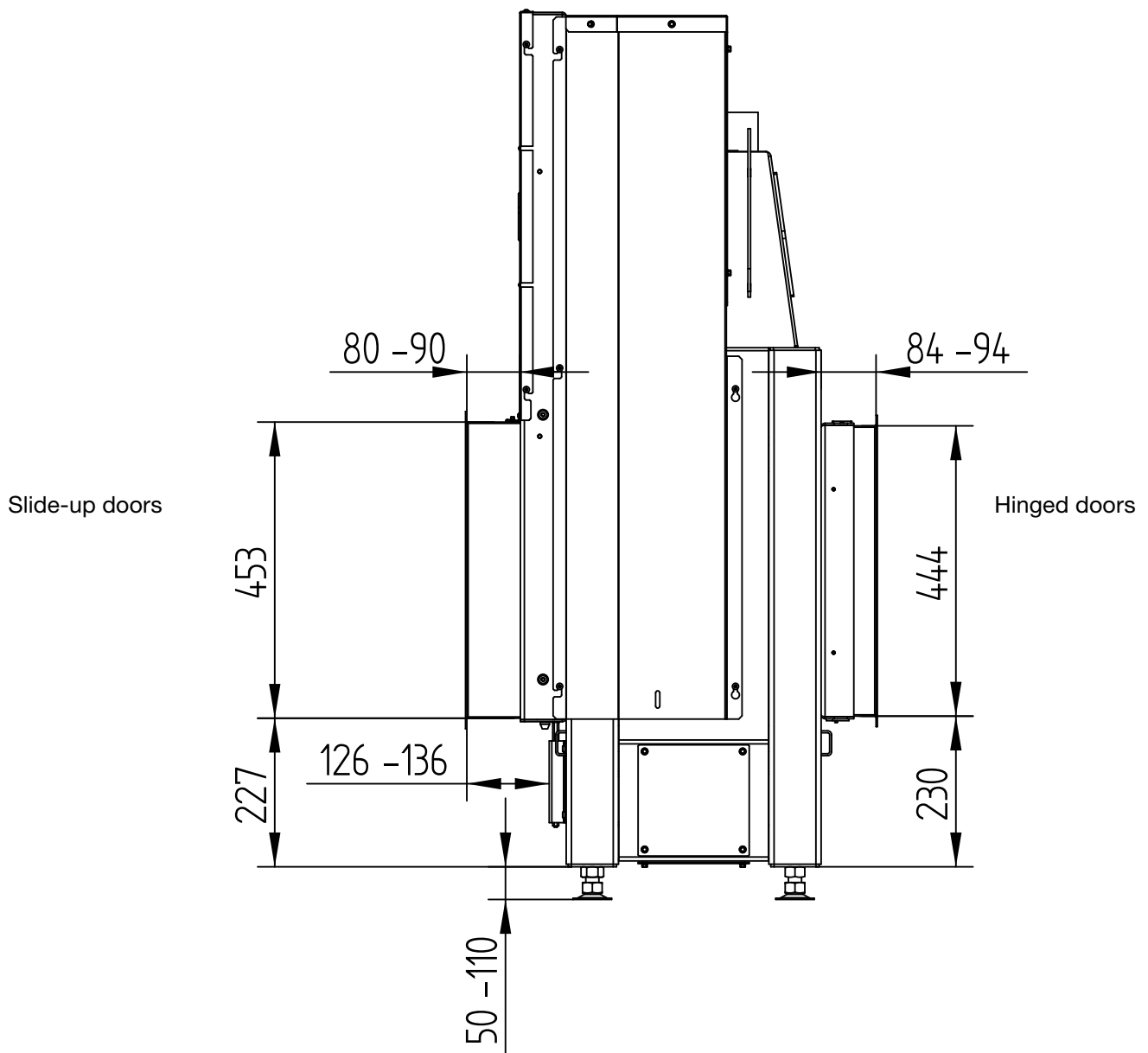


# HAKA 89/45T(h)

Technical data  
Version 07/2015

COVER FRAME 4-SIDED 1 x 90°, 80 mm

M 1 : 10

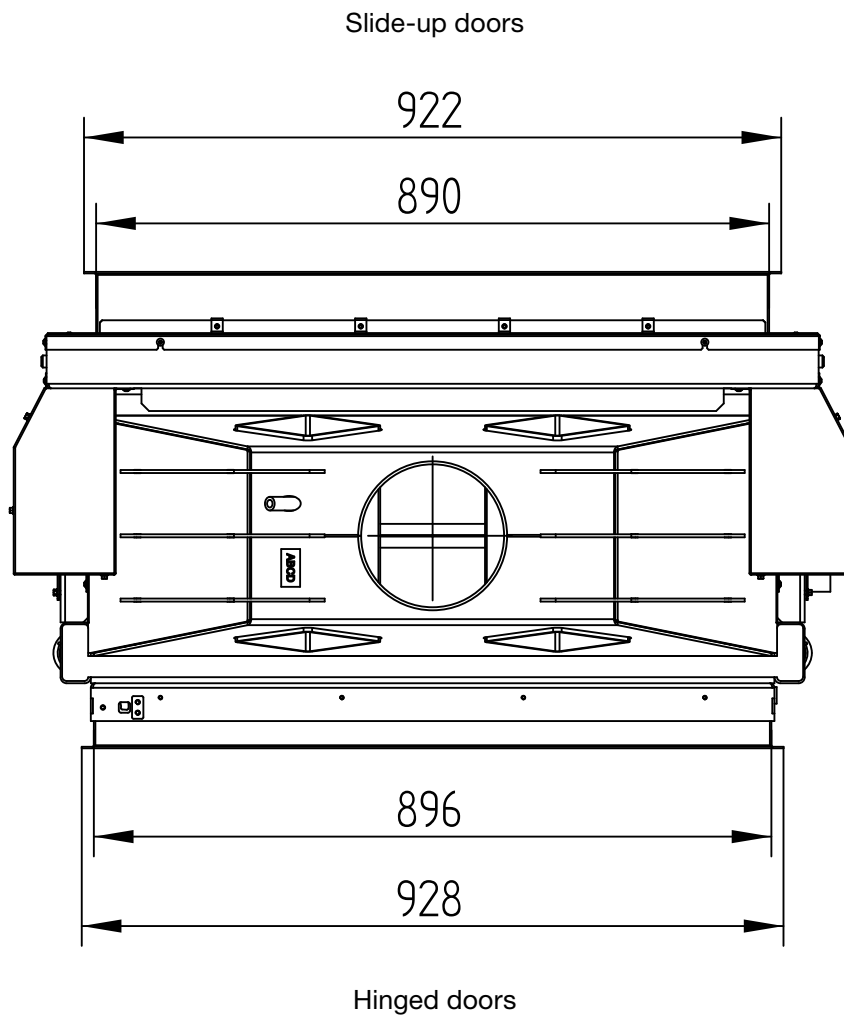


# HAKA 89/45T(h)

COVER FRAME 4-SIDED 1 x 90°, 80 mm

Technical data  
Version 07/2015

M 1 : 10



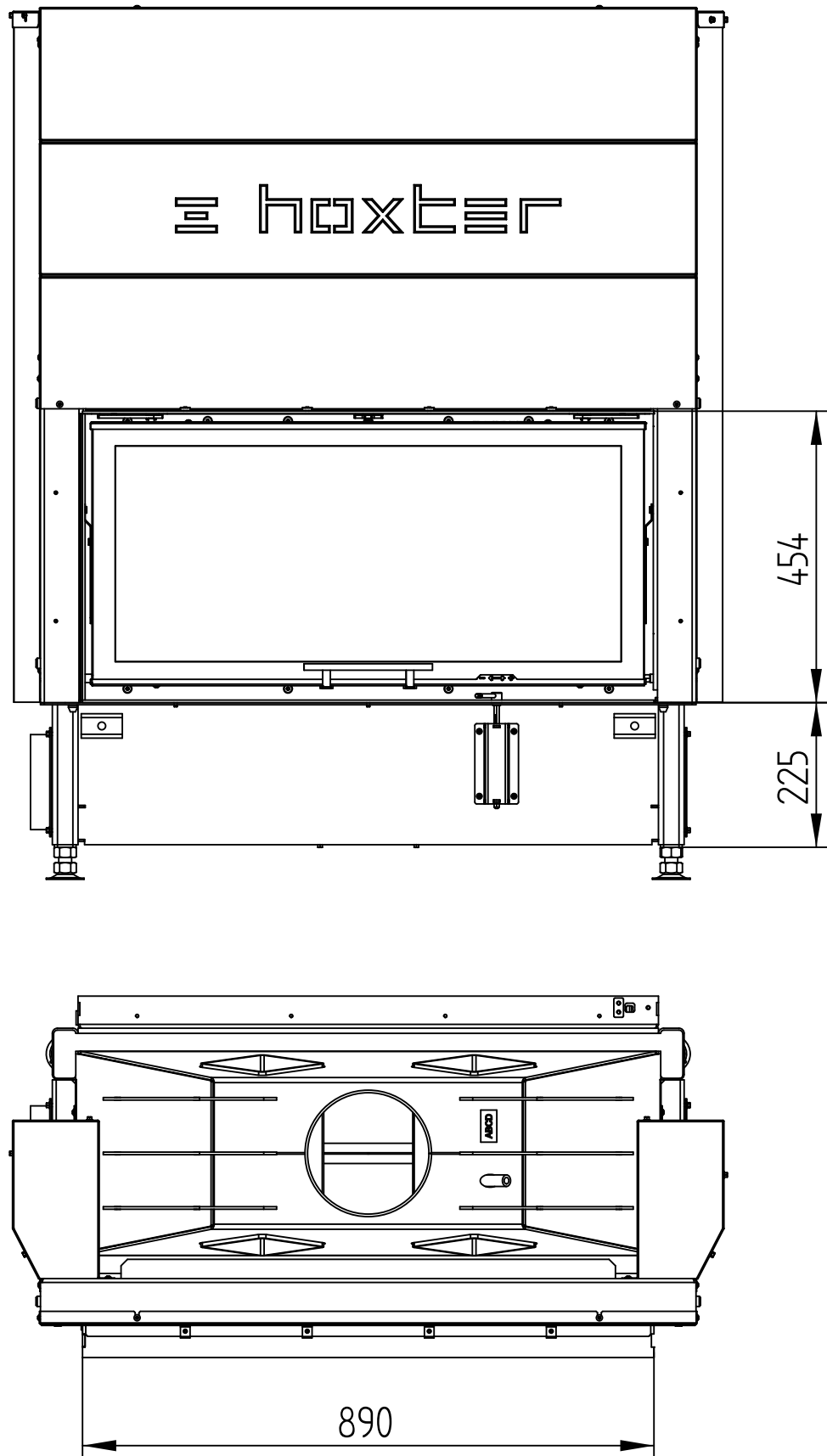
# HAKA 89/45T(h)

Technical data  
Version 07/2015

BUILD-ON FRAME 4-SIDED, 50 mm

M 1 : 10

Slide-up doors



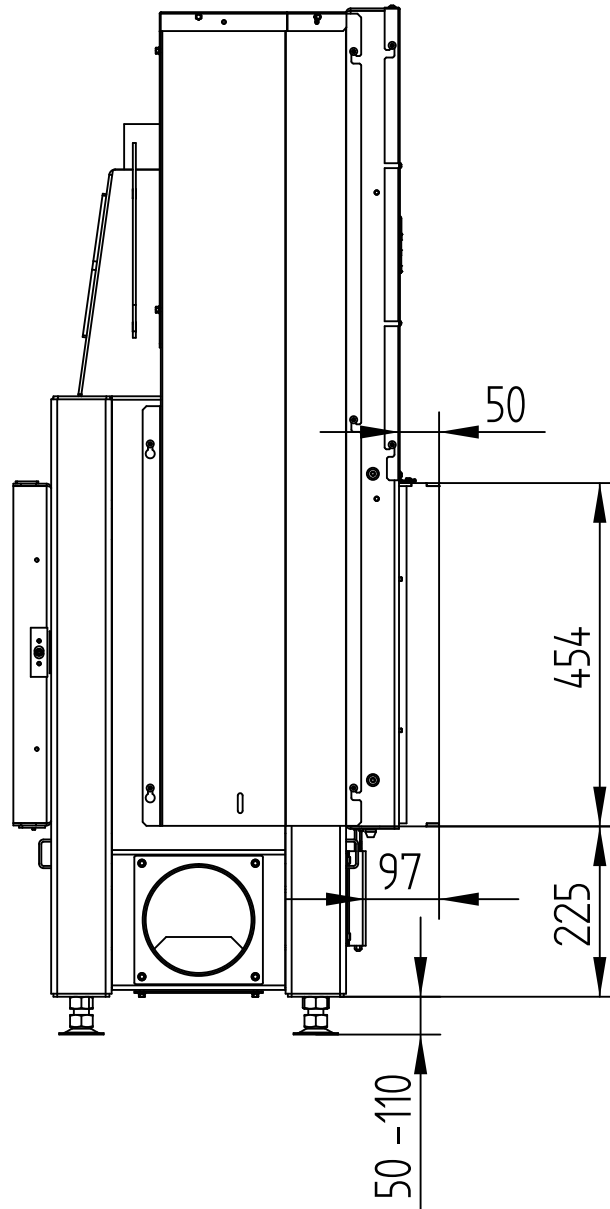
# HAKA 89/45T(h)

Technical data  
Version 07/2015

BUILD-ON FRAME 4-SIDED, 50 mm

M 1 : 10

Slide-up doors

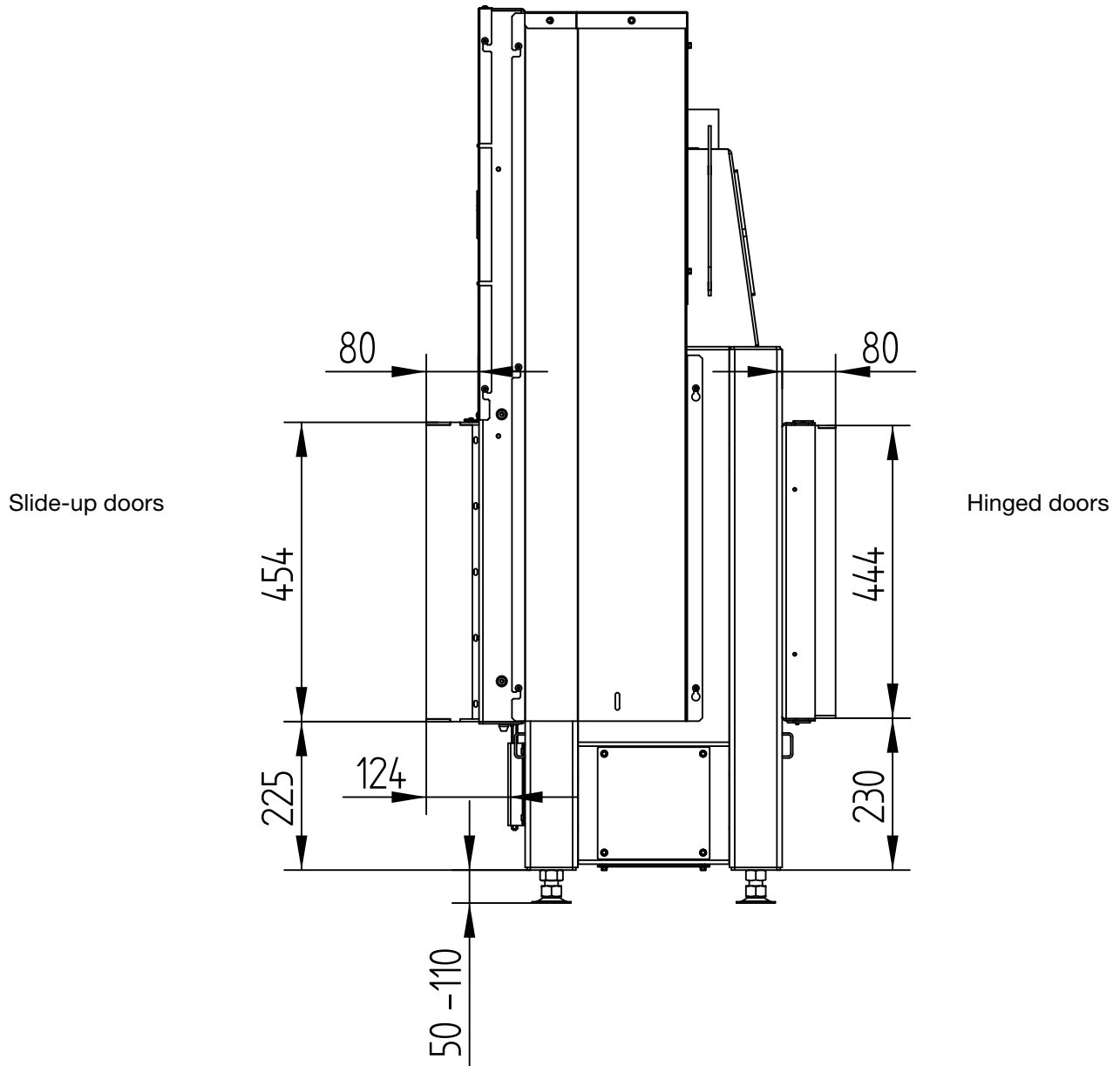


# HAKA 89/45T(h)

BUILD-ON FRAME 4-SIDED, 80 mm

Technical data  
Version 07/2015

M 1 : 10



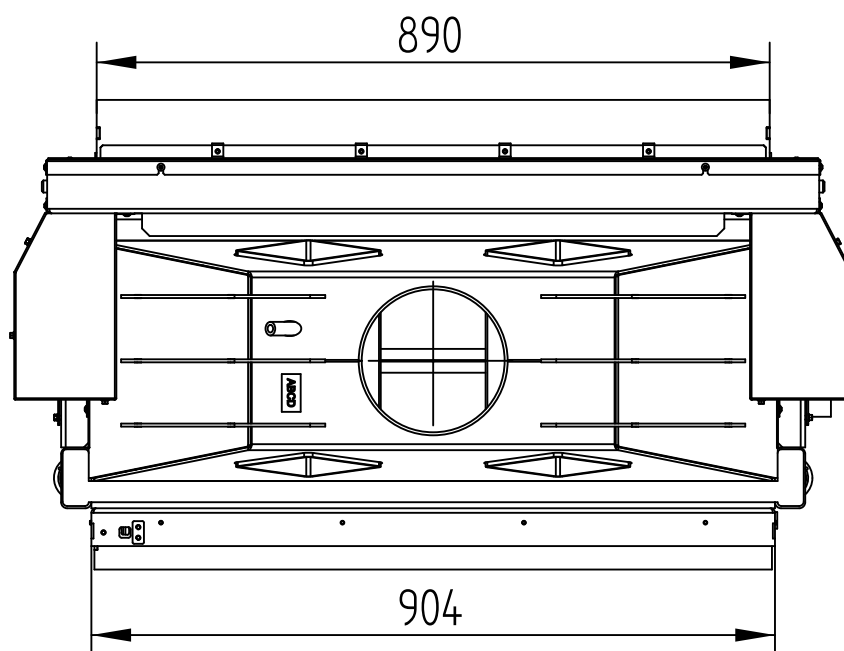
# HAKA 89/45T(h)

BUILD-ON FRAME 4-SIDED, 80 mm

Technical data  
Version 07/2015

M 1 : 10

Slide-up doors



Hinged doors