

BIO-BURNERS GLASS-OVALE



PLEASE READ THESE INSTRUCTIONS CAREFULLY.



NEVER ADD BIOETHANOL TO THE BURNER WHILE FIRE IS BURNING.



NEVER ADD BIOETHANOL TO THE BURNER WHILE THE UNIT IS STILL HOT.

INSTRUCTIONS FOR INSTALLATION AND USE:

- Adhere strictly to these instructions before using this product.
- The Company disclaims any liability for damages caused by inappropriate use of the product.
- Instructions for “**Glass Ovale** “ model :
- Please read the packaging label under the burner in order to identify the model.

PACKAGING CONTENTS:

- The product is composed of:
 - Box packaging (to be conserved)
 - Burner
 - Burner holder
 - Fire extinguishing Tool
 - Cylinder transparent borosilicate glass
- **Before opening the packaging, keep the box right side up.**
- **The burner and the burner holder are not fixed together, so pay attention when you extract them from their packaging.**
- **Remove the protection bag and place the product on a steady surface.**

WARNINGS AND SAFETY INSTRUCTIONS:

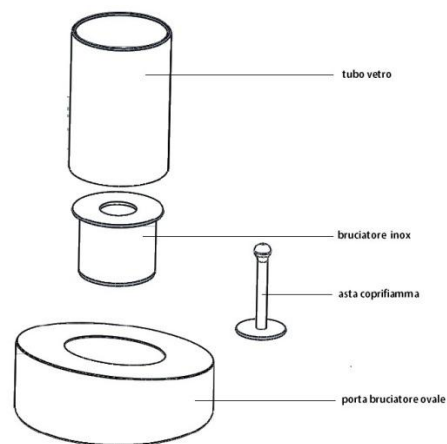
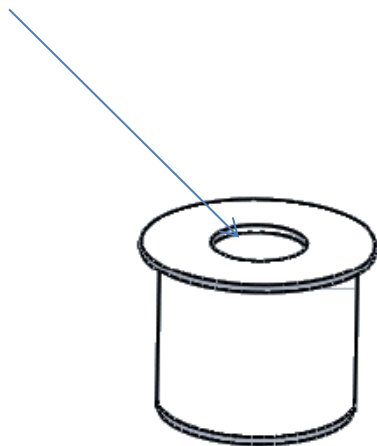
- Put the burner on a steady and horizontal surface.
- Do not use it on moving vehicles (caravan, ship, car etc..) or in passage areas.
- Keep the burner in a ventilated rooms, the fire consumes oxygen.
- Prevent drafts and airflows which could influence the flames.
- Do not blow on the fire.
- Do not use the product in areas in which flammable gases are present. Do not place it near any flammable materials (curtains, carpets, armchairs).
- We recommend you the use of BIOETHANOL (Denatured Ethyl Alcohol 96% for Bio-fireplaces).
- Store Bioethanol containers tight closed at least 2-3 meters from the product.
- Keep children and pets away from the burner.
- Use only accessories that have been provided by the manufacturer.
- Do not smoke near the burner while turned off.
- It is not recommended to use more than one bio-burner in a small room (less than 20-30 m2).
- Never leave the fire unattended.

- Do not modify the product.
- It is strictly forbidden to touch the bio-burner while burning.
- Use the special tool supplied to close the burner.
- **Wait at least 20 minutes after the fire has been extinguished before you touch or refuel it.**
- **NEVER add more fuel to the bio-burner while it is in use or hot.**
- **Pour in the bioethanol with caution into the burner. Make sure not to spill bioethanol outside the burner.**
- Do not ingest bioethanol.
- Contact the nearest hospital in the case of burns.
- This product is a free standing model, pay attention to tip-over risk.
- People with respiratory problems should consult their doctor before using the product.

BIO-BURNER USE:

- After positioning the product on a steady surface, pour in the bio-ethanol with caution into the burner. Make sure not to spill bioethanol outside the burner.
- Pour in the bioethanol till the level –BEFORE BUNER BORDER (please see the picture).
- Light up your bio-burner using a STANDARD LIGHTER , pay attention in case of fuel spills.
- Keep your distance while lighting the burner.
- **Due to low temperatures, it could be necessary to repeat the ignition several times. Please allow 5-10 minutes to reach stable flame.**
- We suggest you to allow burner to burn out completely to prevent any fuel smell caused by unburned gas remaining in the tank and released by hot liquid.
- **Please wait at least 20 minutes after the fire has been extinguished before you refuel it again. In this way you allow the perfect cooling of the bio-burner and ESPECIALLY OF THE PROTECTIVE GLASS.**

MAXIMUM LEVEL OF BIOETHANOL



BURNER	CYLINDER
Tank capacity	0,23 liter
Burning time	approx. 2 hours
Thermal power	1.5 Kw/h