

# HAKA 89/45WT(h), 89/45WT(h)+

Technical data  
Version 07/2015

OPERATION WHEN DIRECTLY CONNECTED TO CHIMNEY	HAKA 89/45WT(h)	HAKA 89/45WT(h)+
Tested according to	EN 13229	EN 13229
Nominal heat power / Power absorbed to water	10 / 5,6 kW	20 / 10,4 kW
Efficiency	> 80 %	> 80 %
Consumption of wood	3 kg/h	6 kg/h
Mass flow of flue gas	9,4 g/s	15,8 g/s
<b>Average flue gas temperature</b> on the output	201 °C	232 °C
<b>Heat distribution</b>		
fireplace insert	9 %	13 %
door glass (single / double)	- / 35 %	- / 35 %
water	56 %	52 %
Required chimney pressure	12 Pa	12 Pa
Required amount of combustion air	30 m <sup>3</sup> /h	55 m <sup>3</sup> /h
Minimum supply air grating cross-section	250 cm <sup>2</sup>	350 cm <sup>2</sup>
Minimum outgoing air grating cross-section	300 cm <sup>2</sup>	400 cm <sup>2</sup>

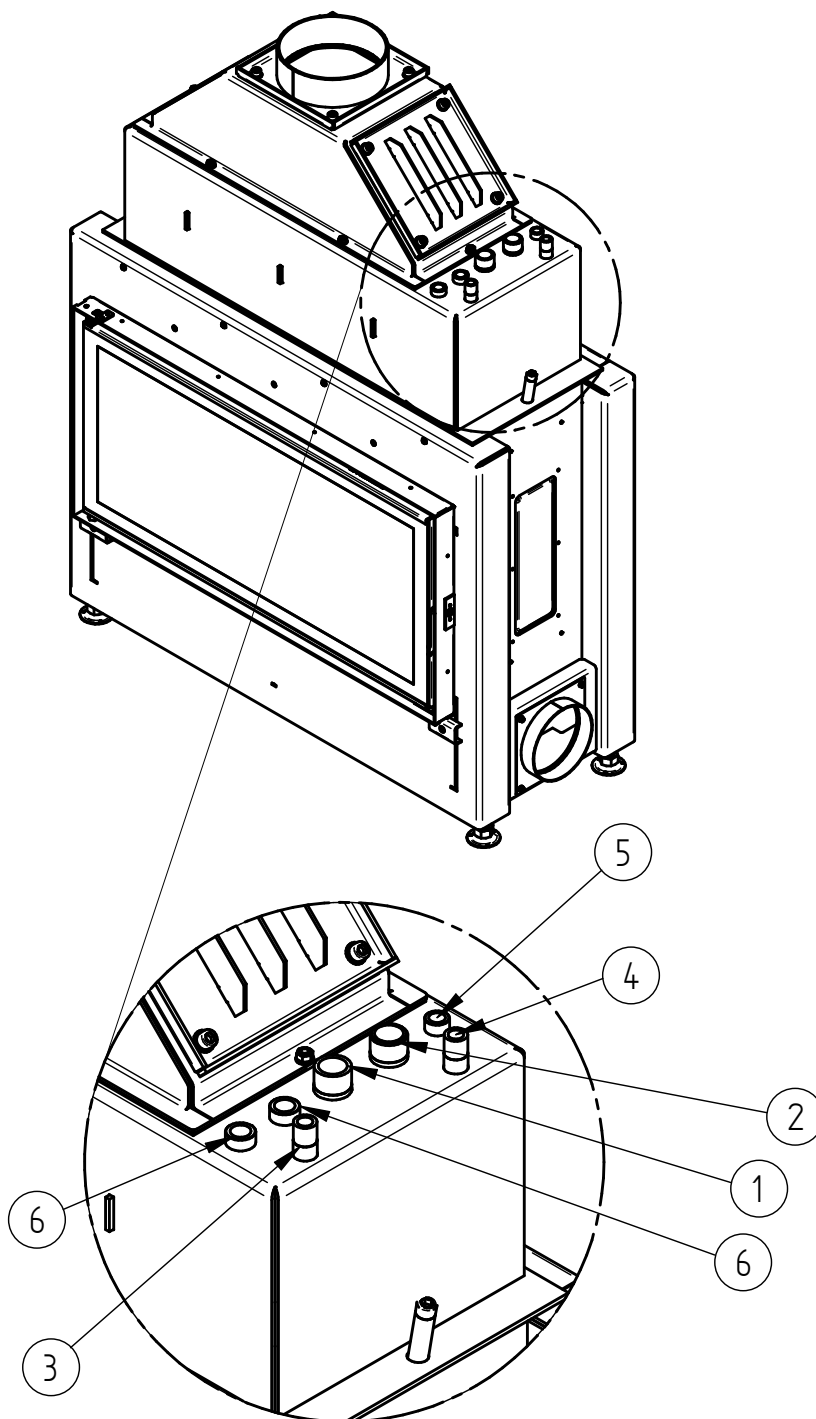
WATER EXCHANGER SPECIFICATIONS		
Maximum working pressure	2,5 bar	2,5 bar
Minimum return water temperature	55 °C	55 °C
Water capacity	47 liter	47 liter
Connection input / output	G 1 / G 1	G 1 / G 1

GENERAL TECHNICAL INFORMATION		
Combustion air connection	Ø 125 mm	Ø 150 mm
Total weight / lining weight	369 <sup>(A)</sup> - 305 <sup>(B)</sup> - 420 <sup>(C)</sup> / 100 kg	
Use in non-ventilated accumulation builds according to craft rules	suitable	
Meets values	BlmSchV (Stufe2), 15a BVG	

# HAKA 89/45WT(h), 89/45WT(h)+

Technical data  
Version 07/2015

NR.	THREAD SIZE	DESCRIPTION
1	G 1" (AG)	Water supply from heating system - min. 55°C
2	G 1" (AG)	Hot water supply to heating system
3	G 1/2" (AG)	Water supply from the waterlines into the cooling loop
4	G 1/2" (AG)	Discharge of water from the cooling loop into the waste
5	G 3/8" (IG)	Pocket for air vent valve
6	G 1/2" (IG)	Pocket for thermal sensors

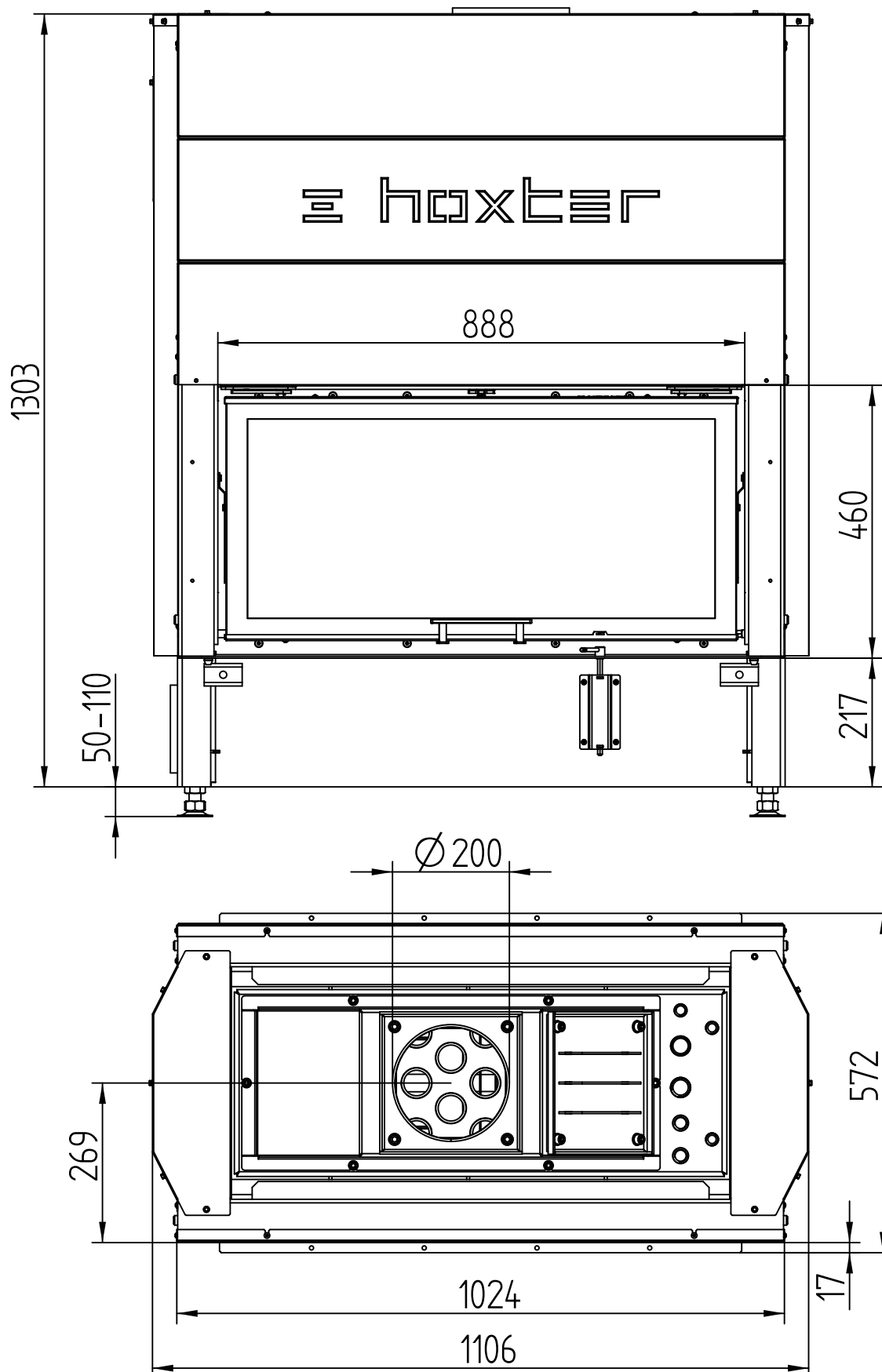


# HAKA 89/45WT(h), 89/45WT(h)+

Technical data  
Version 07/2015

SLIDE-UP / SLIDE-UP DOORS (A)

M 1 : 10

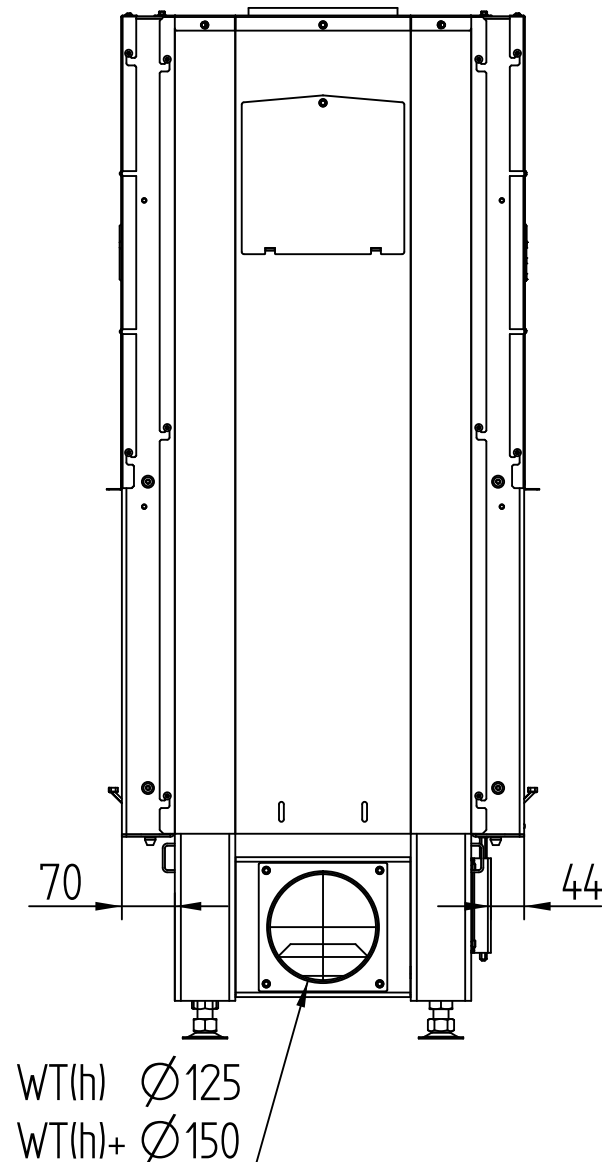


# HAKA 89/45WT(h), 89/45WT(h)+

Technical data  
Version 07/2015

SLIDE-UP / SLIDE-UP DOORS <sup>(A)</sup>

M 1 : 10

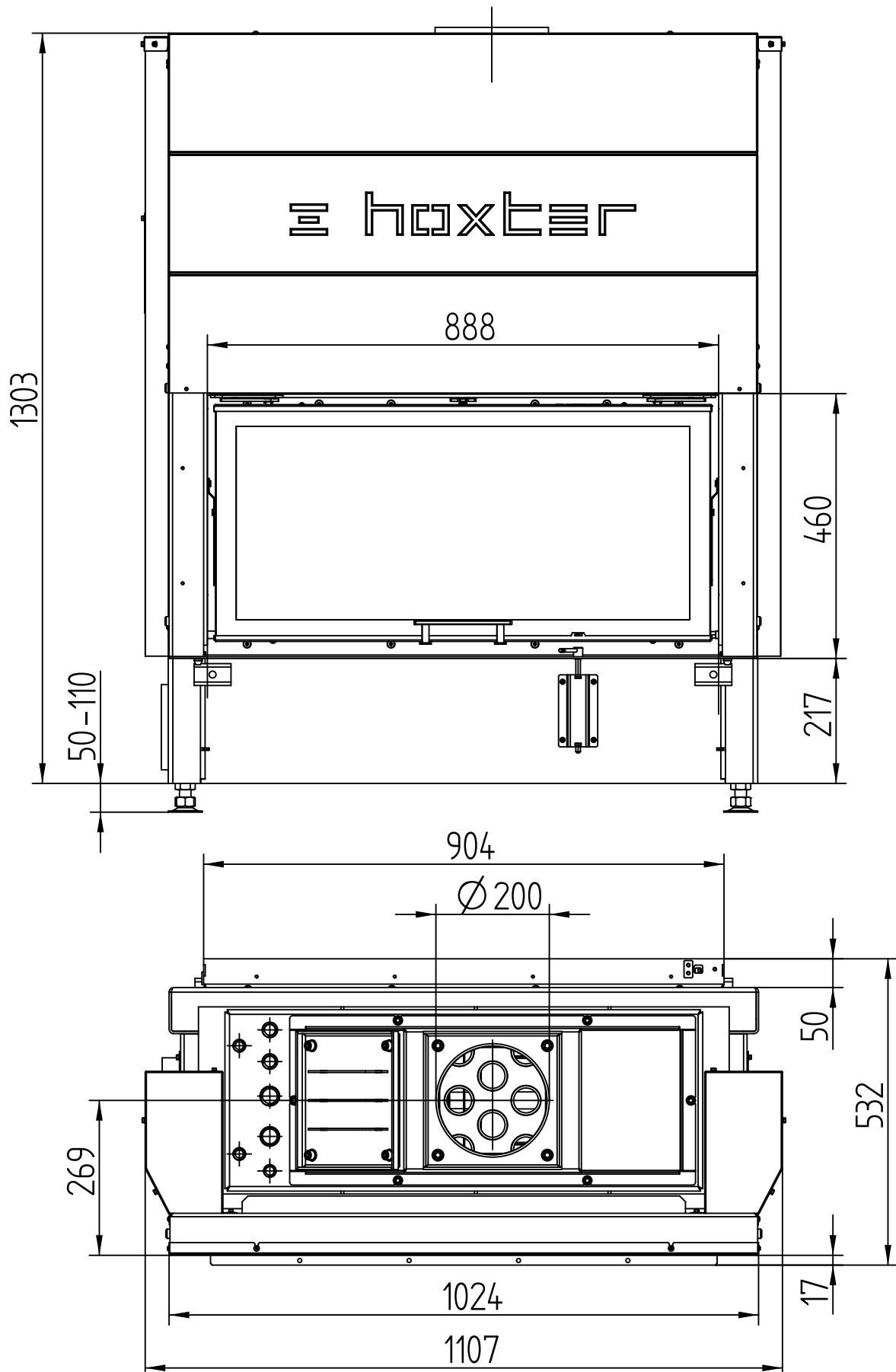


# HAKA 89/45WT(h), 89/45WT(h)+

Technical data  
Version 07/2015

SLIDE-UP / HINGED DOORS <sup>(B)</sup>

M 1 : 10

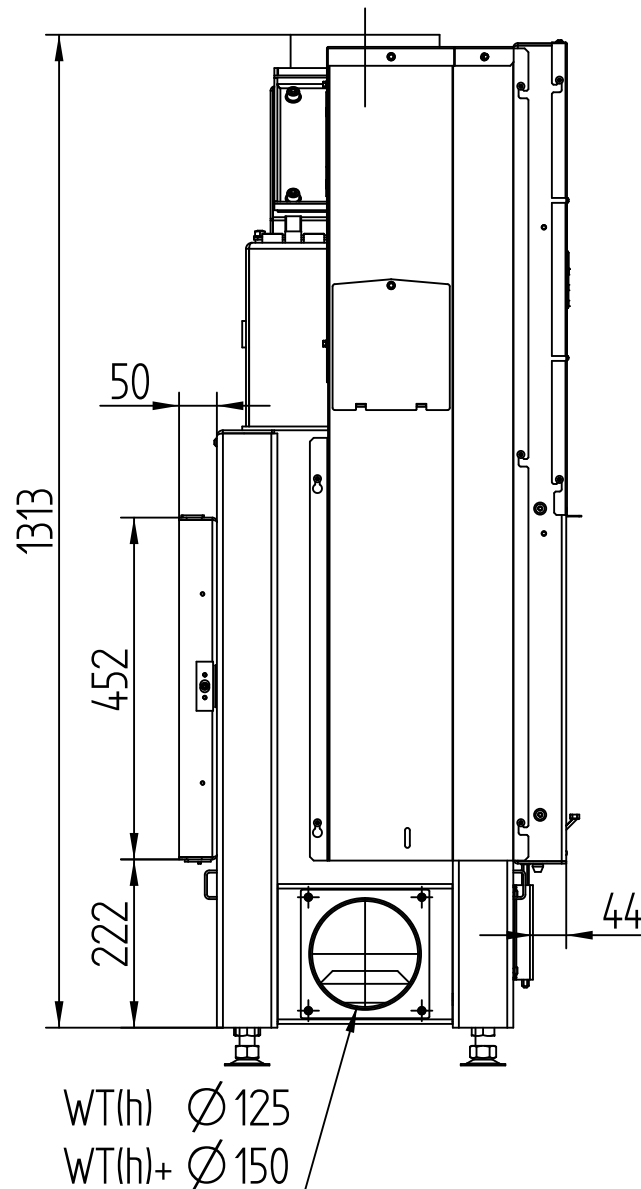


# HAKA 89/45WT(h), 89/45WT(h)+

Technical data  
Version 07/2015

SLIDE-UP / HINGED DOORS <sup>(B)</sup>

M 1 : 10

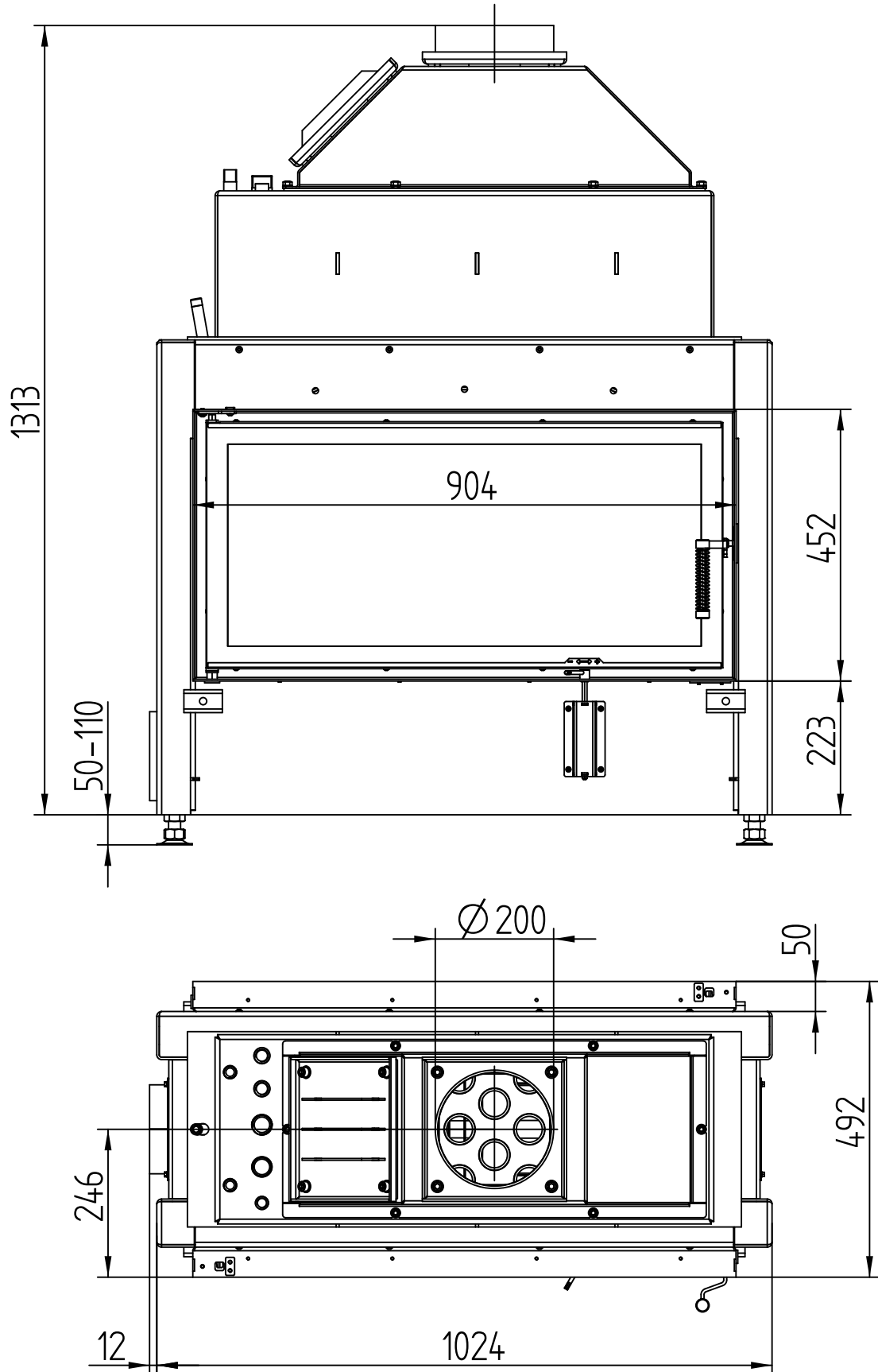


# HAKA 89/45WT(h), 89/45WT(h)+

Technical data  
Version 07/2015

HINGED / HINGED DOORS (C)

M 1 : 10

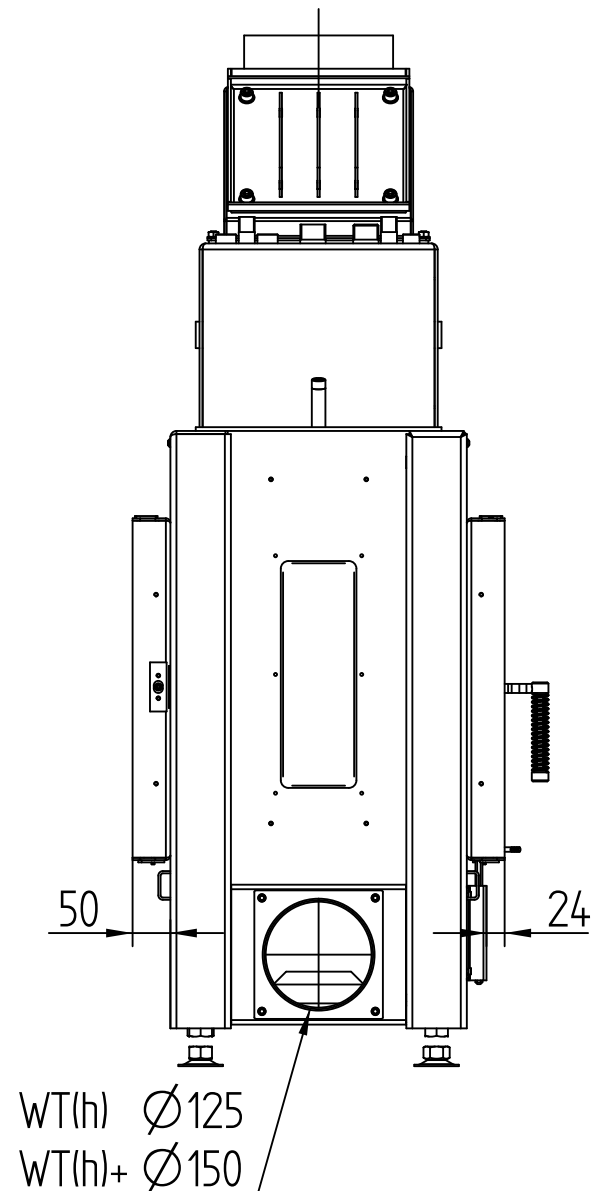


# HAKA 89/45WT(h), 89/45WT(h)+

Technical data  
Version 07/2015

HINGED / HINGED DOORS (C)

M 1 : 10





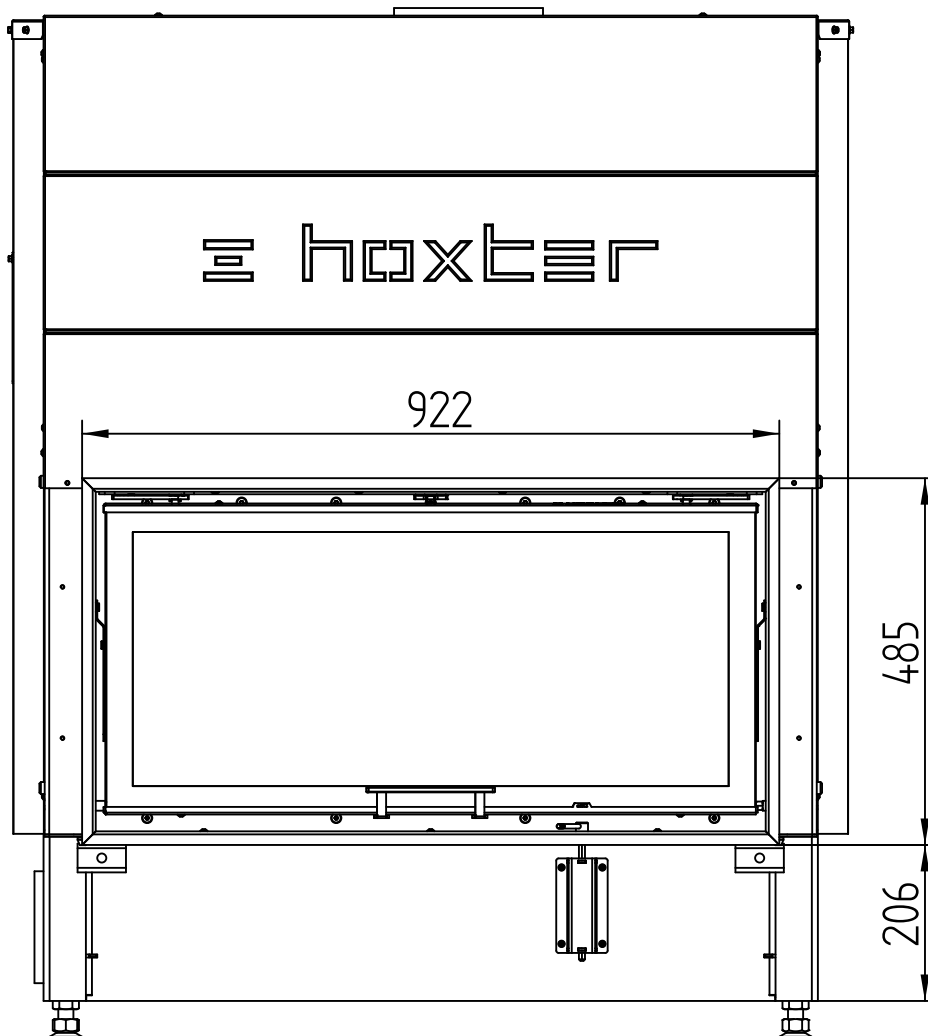
# HAKA 89/45WT(h), 89/45WT(h)+

Technical data  
Version 07/2015

COVER FRAME 4-SIDED 1 x 90°, 50 mm

M 1 : 10

Slide-up doors



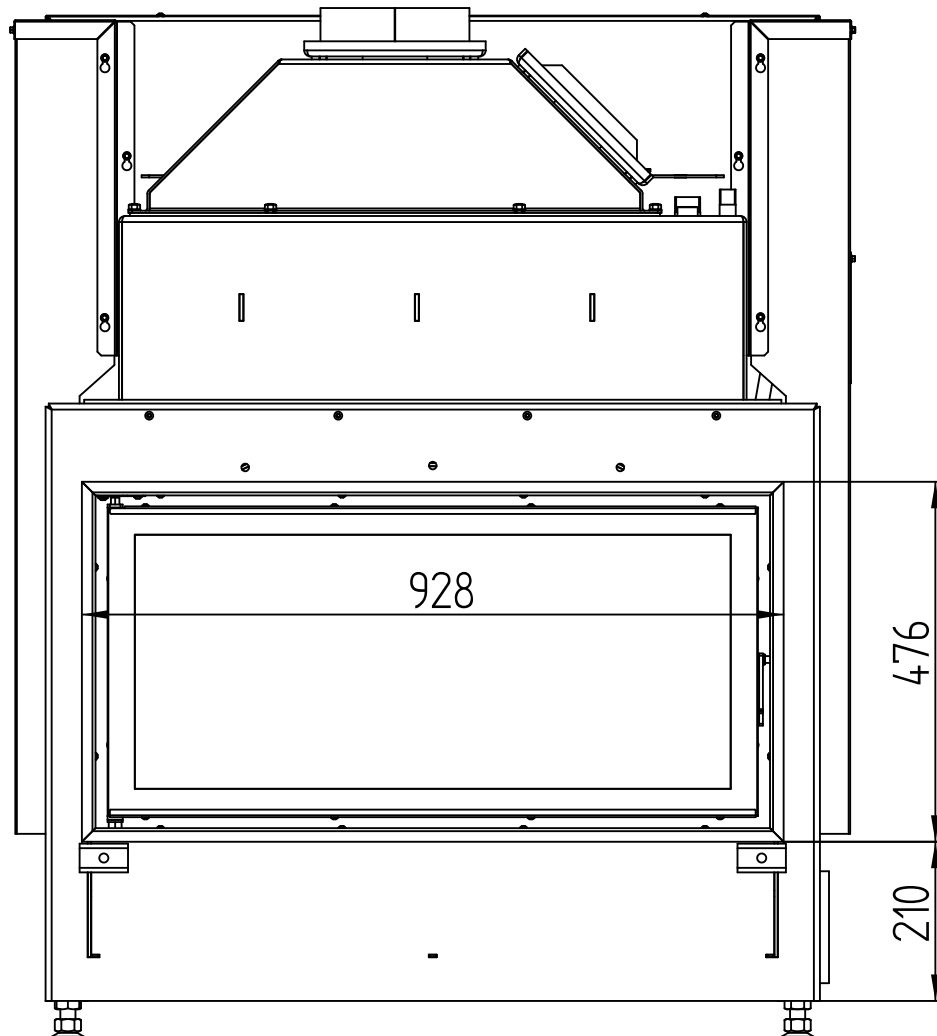
# HAKA 89/45WT(h), 89/45WT(h)+

Technical data  
Version 07/2015

COVER FRAME 4-SIDED 1 x 90°, 50 mm

M 1 : 10

Hinged doors

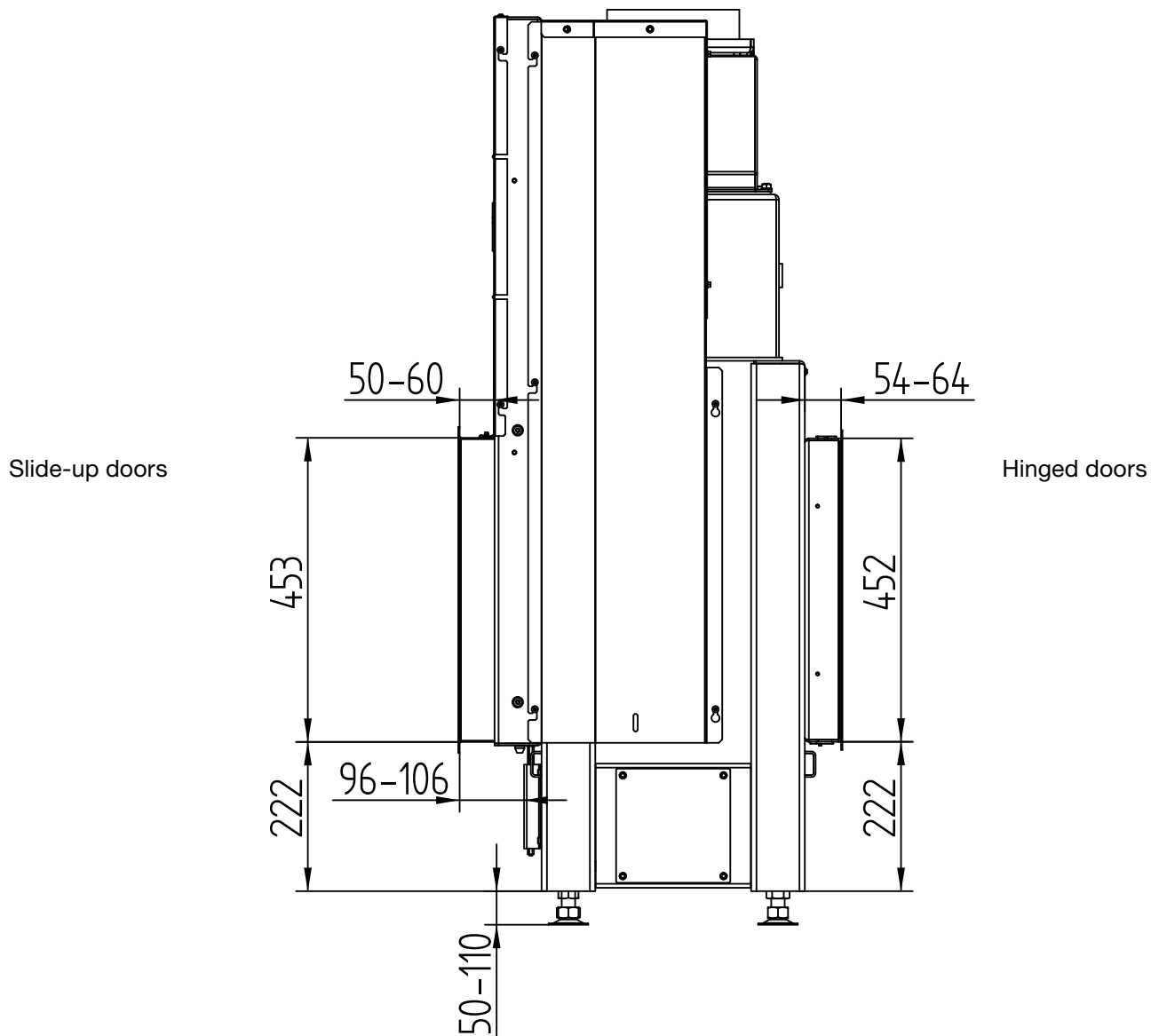


# HAKA 89/45WT(h), 89/45WT(h)+

Technical data  
Version 07/2015

COVER FRAME 4-SIDED 1 x 90°, 50 mm

M 1 : 10



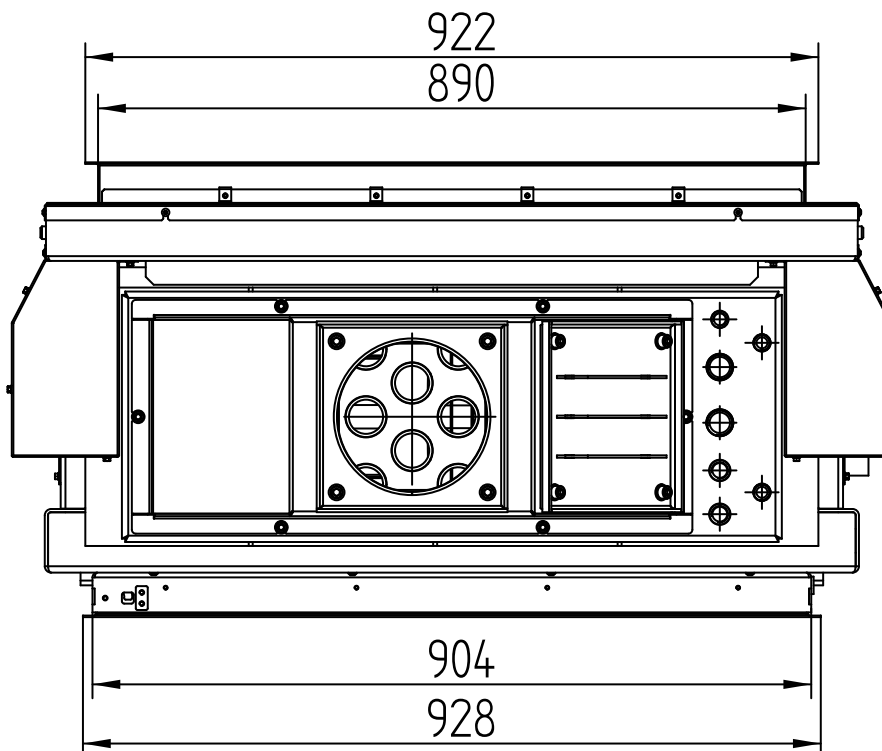
# HAKA 89/45WT(h), 89/45WT(h)+

Technical data  
Version 07/2015

COVER FRAME 4-SIDED 1 x 90°, 50 mm

M 1 : 10

Slide-up doors



Hinged doors

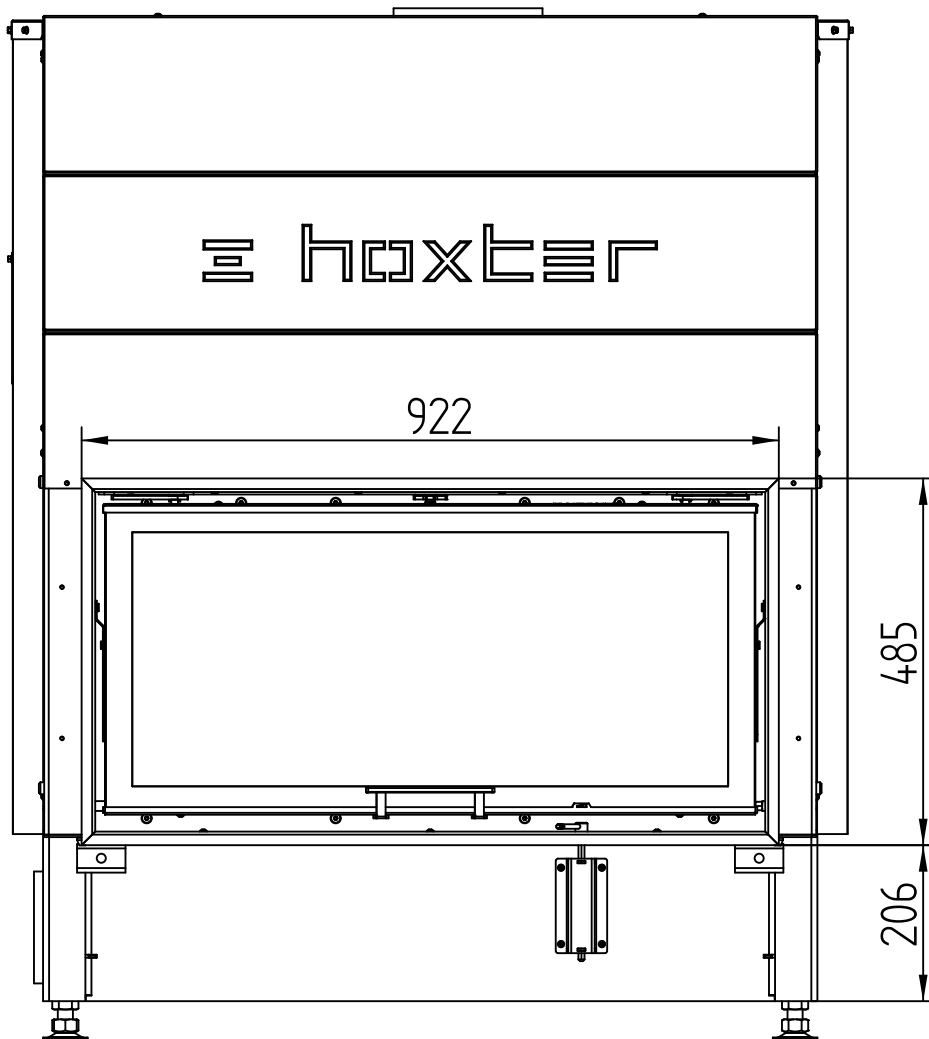
# HAKA 89/45WT(h), 89/45WT(h)+

Technical data  
Version 07/2015

COVER FRAME 4-SIDED 1 x 90°, 80 mm

M 1 : 10

Slide-up doors



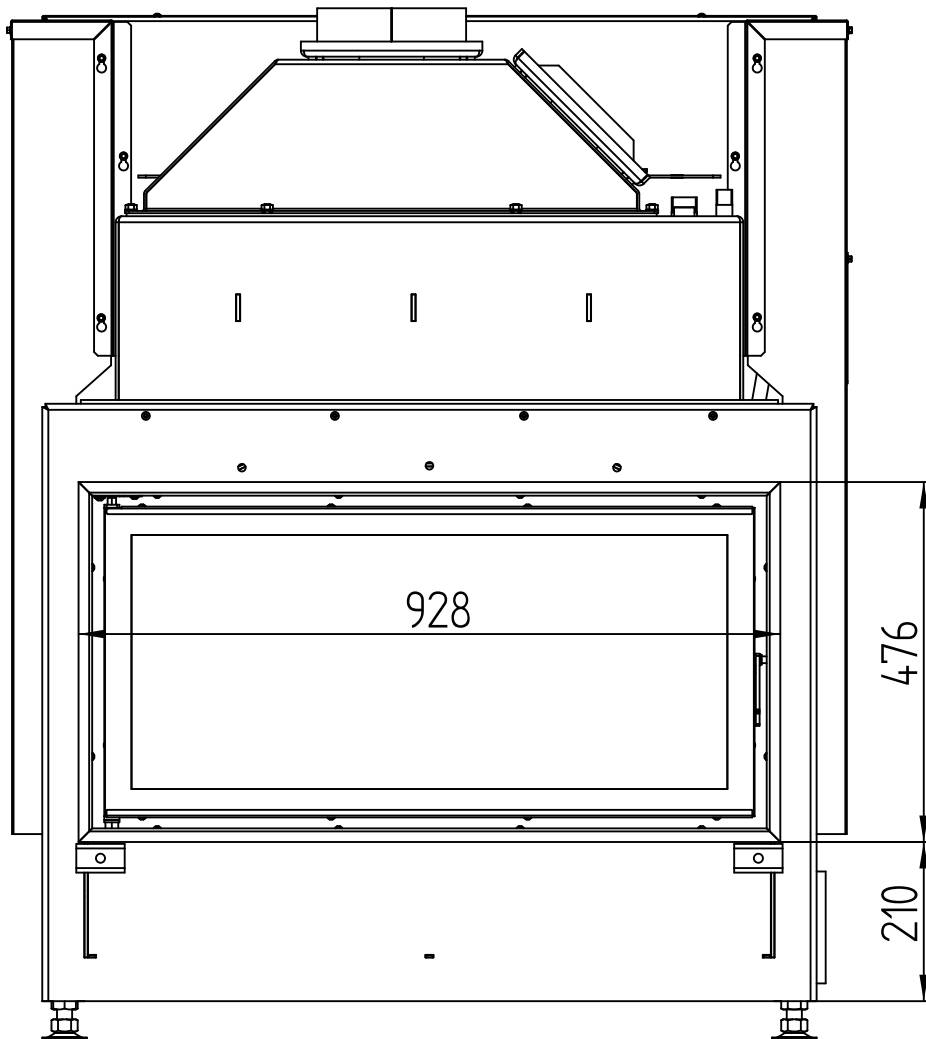
# HAKA 89/45WT(h), 89/45WT(h)+

Technical data  
Version 07/2015

COVER FRAME 4-SIDED 1 x 90°, 80 mm

M 1 : 10

Hinged doors

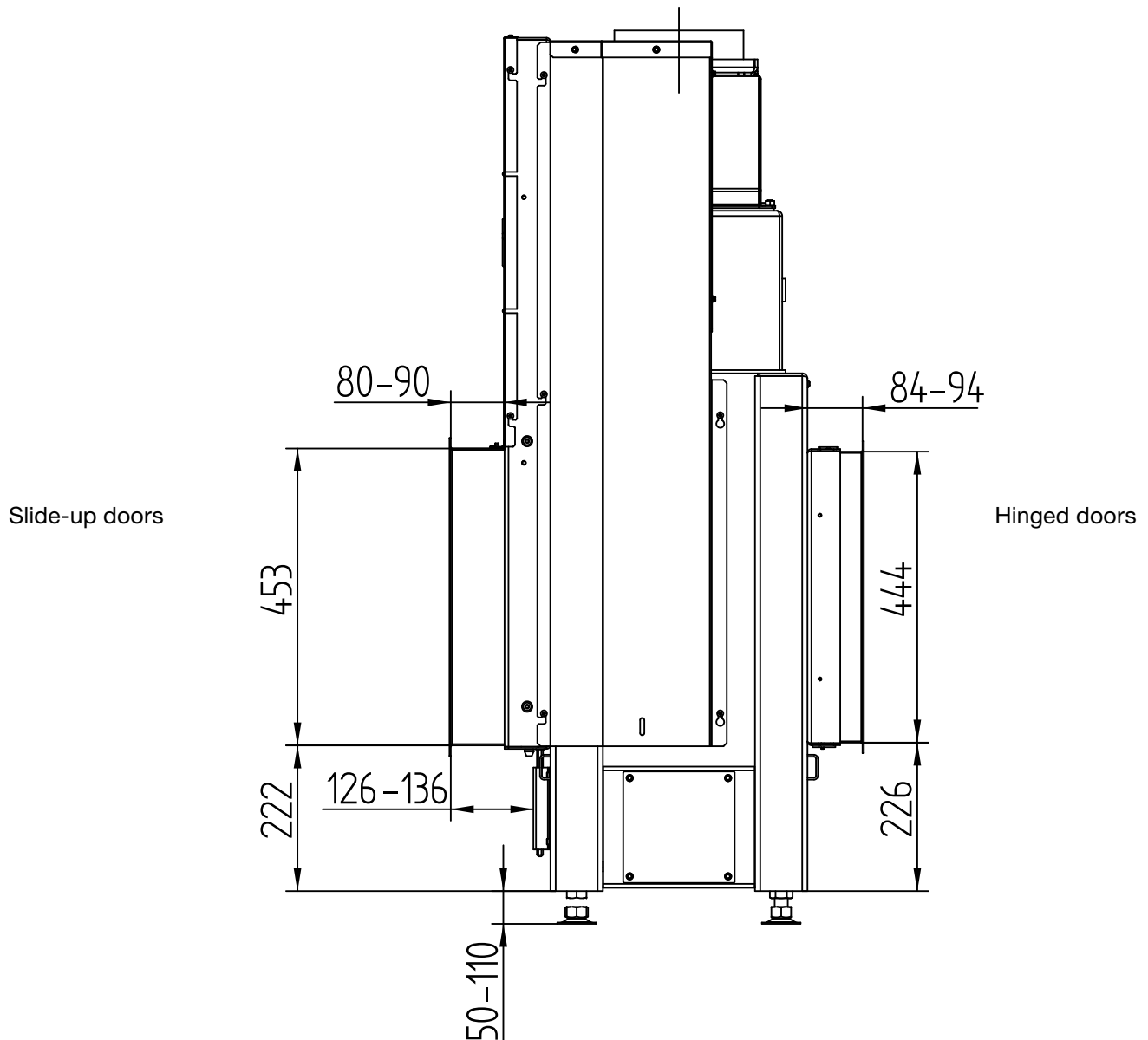


# HAKA 89/45WT(h), 89/45WT(h)+

Technical data  
Version 07/2015

COVER FRAME 4-SIDED 1 x 90°, 80 mm

M 1 : 10



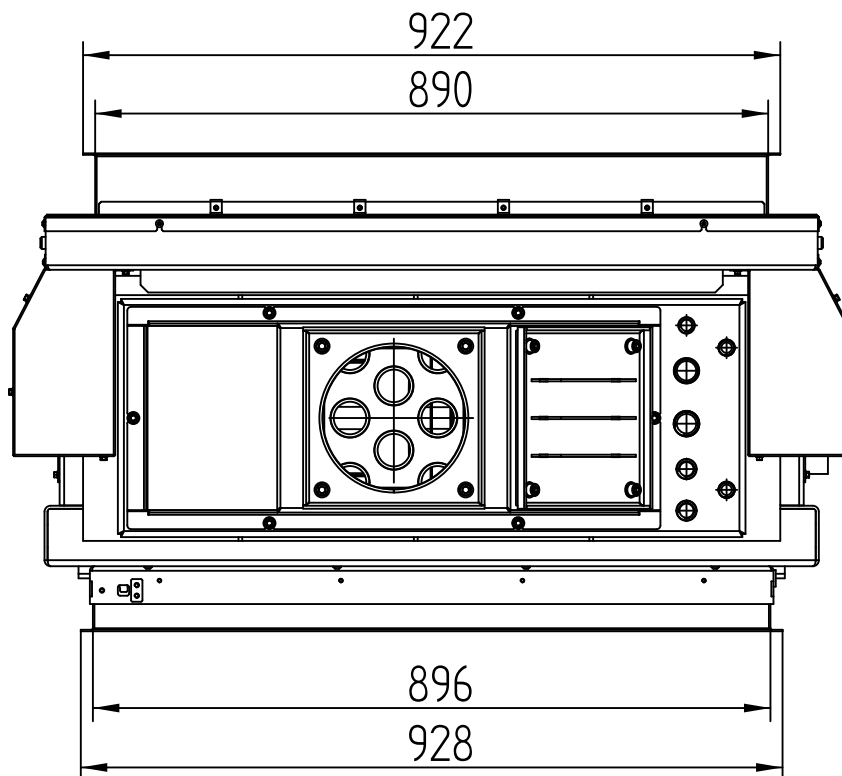
# HAKA 89/45WT(h), 89/45WT(h)+

Technical data  
Version 07/2015

COVER FRAME 4-SIDED 1 x 90°, 80 mm

M 1 : 10

Slide-up doors



Hinged doors



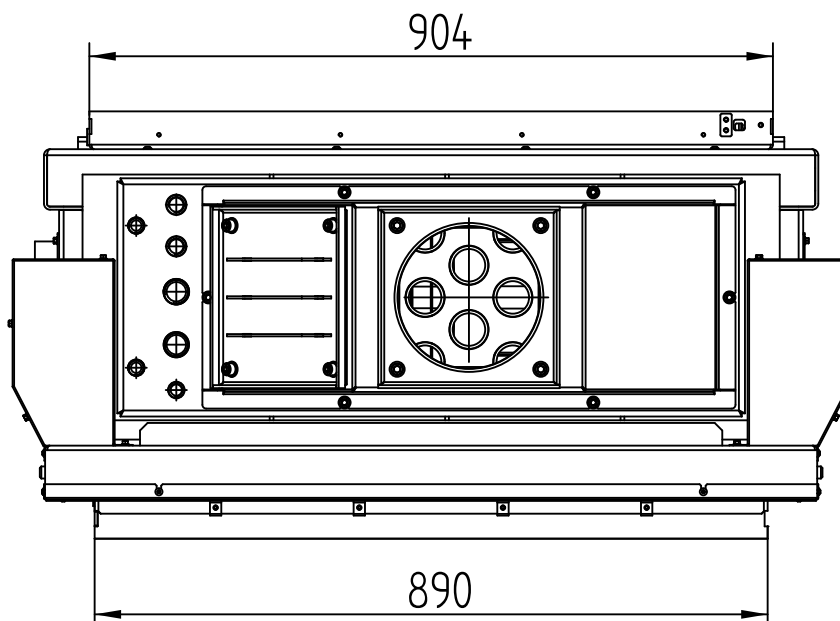
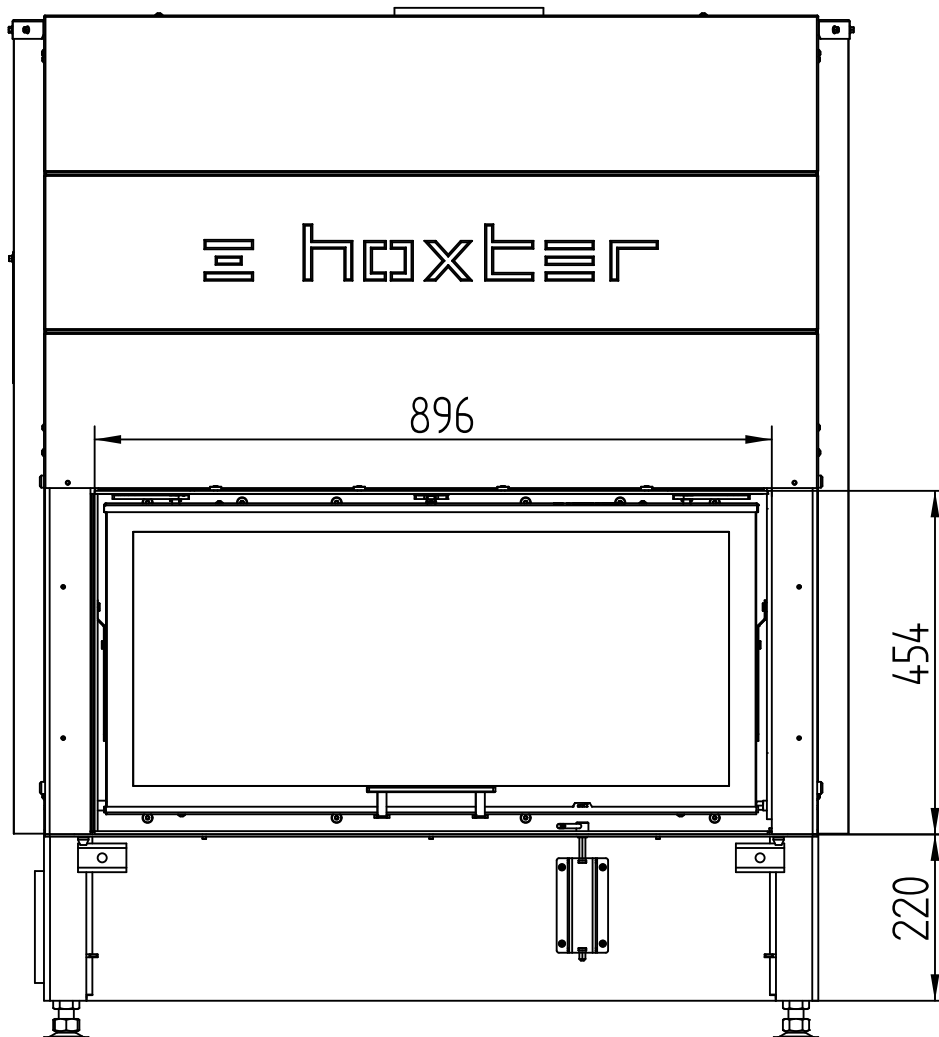
# HAKA 89/45WT(h), 89/45WT(h)+

Technical data  
Version 07/2015

BUILD-ON FRAME 4-SIDED, 50 mm

M 1 : 10

Slide-up doors



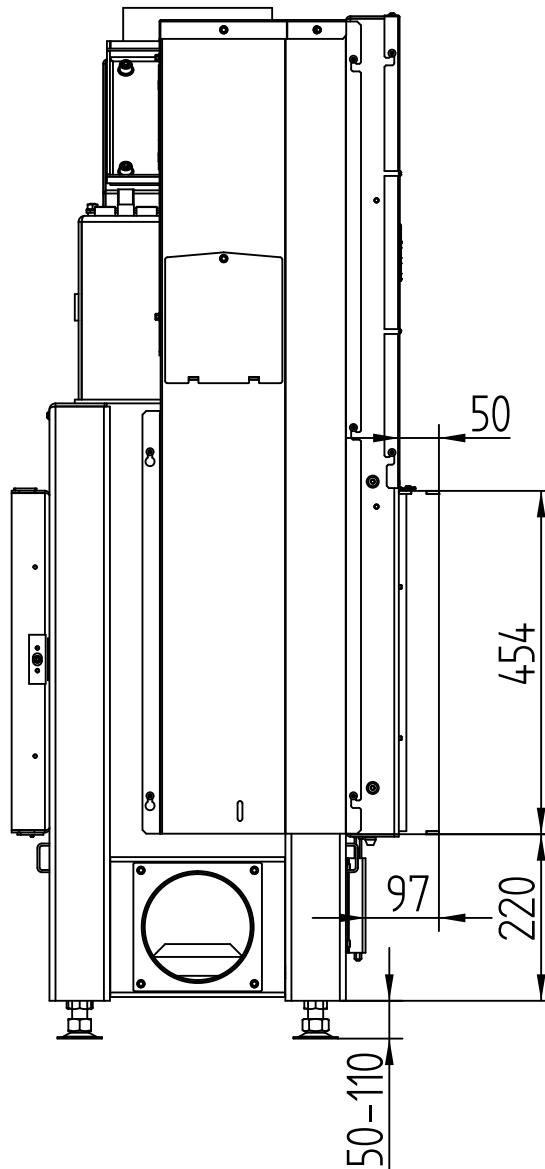
# HAKA 89/45WT(h), 89/45WT(h)+

Technical data  
Version 07/2015

BUILD-ON FRAME 4-SIDED, 50 mm

M 1 : 10

Slide-up doors

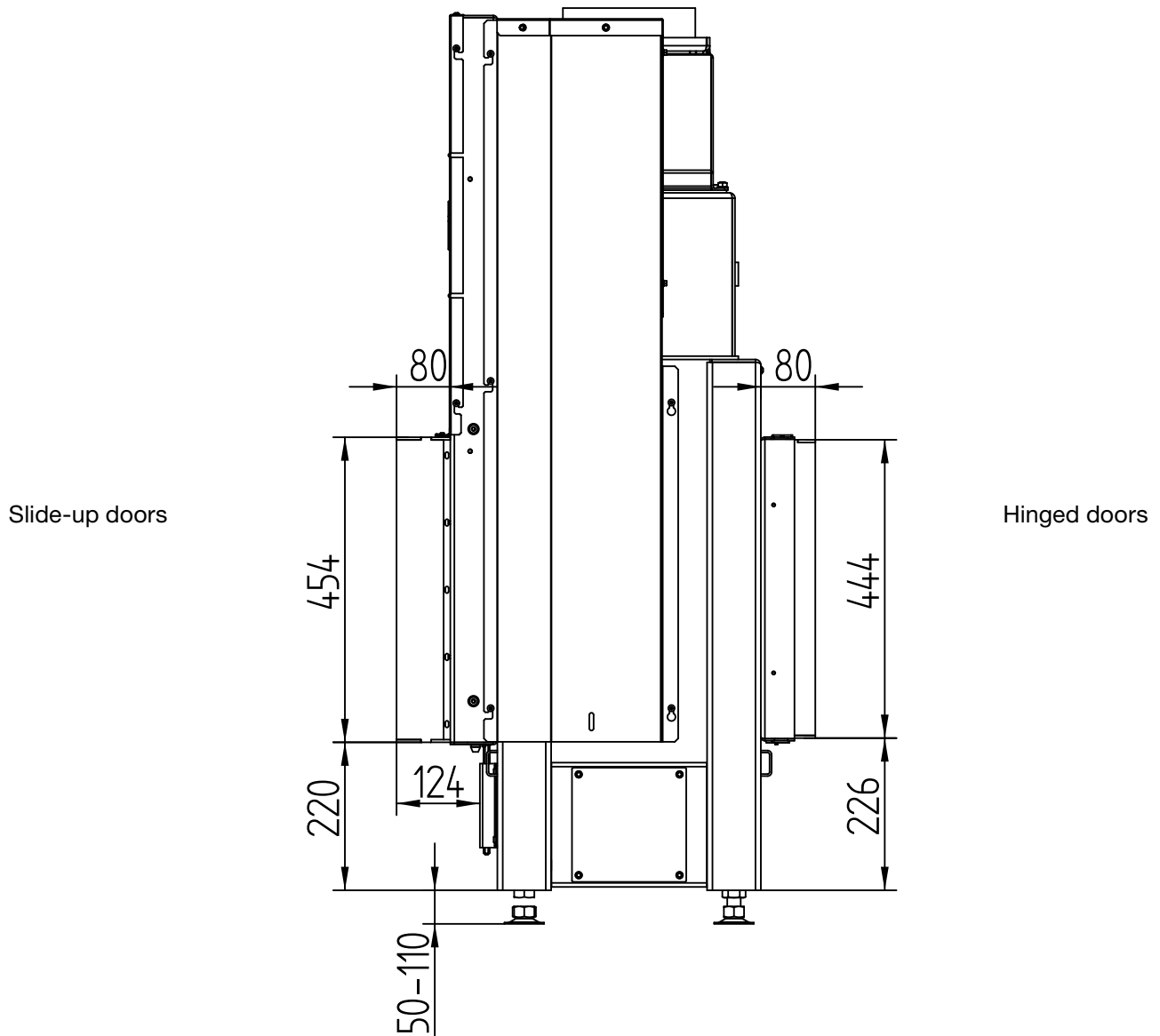


# HAKA 89/45WT(h), 89/45WT(h)+

Technical data  
Version 07/2015

BUILD-ON FRAME 4-SIDED, 80 mm

M 1 : 10



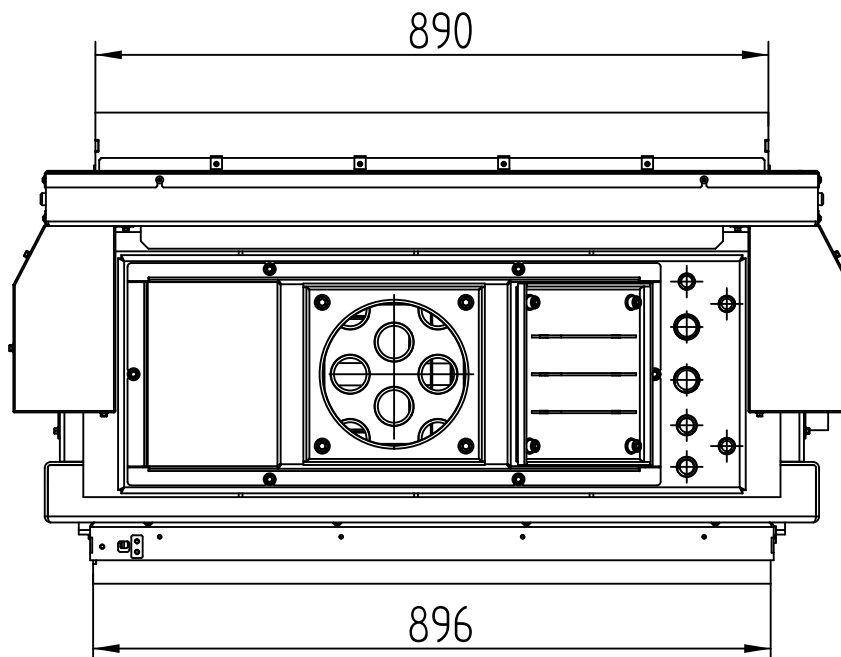
# HAKA 89/45WT(h), 89/45WT(h)+

Technical data  
Version 07/2015

BUILD-ON FRAME 4-SIDED, 80 mm

M 1 : 10

Slide-up doors



Hinged doors