



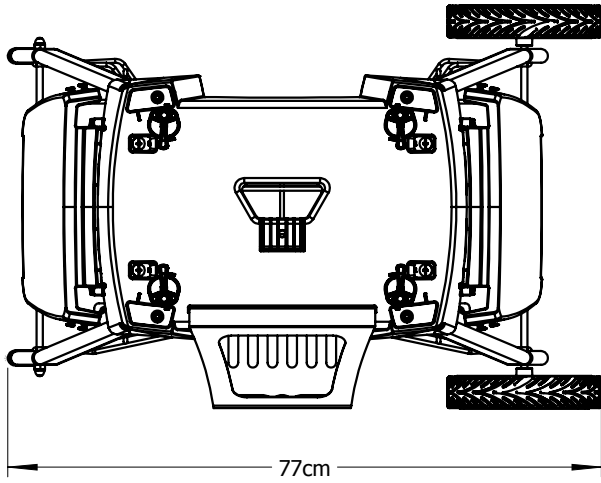
PRO285 STAND



Notice to Installer: Leave these instructions with the grill owner for future reference.

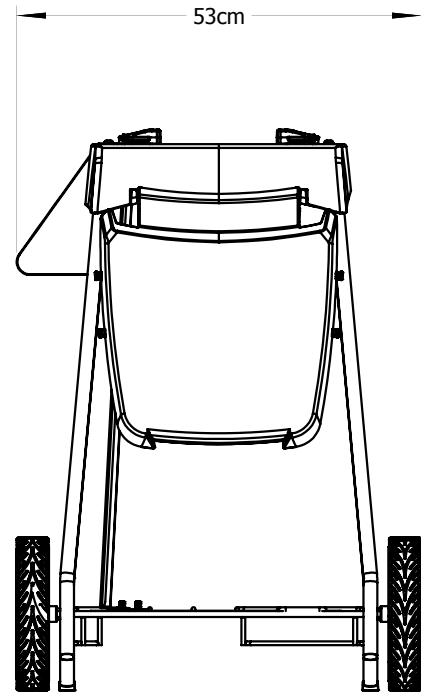
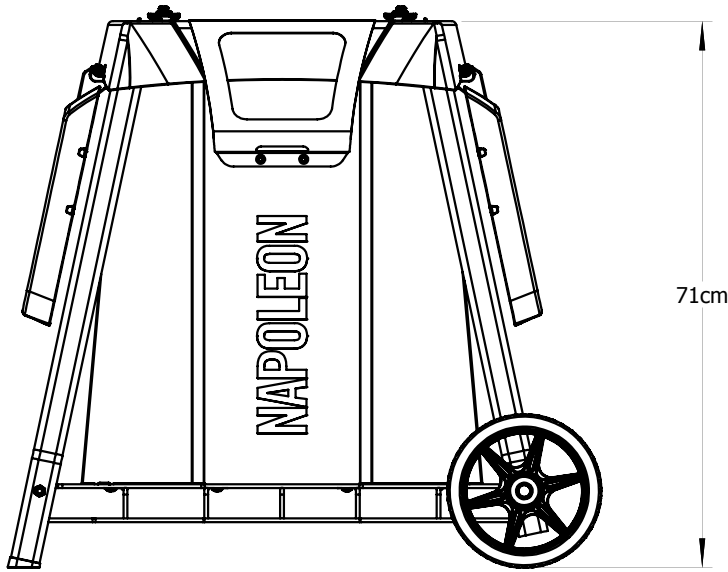
Wolf Steel Europe BV
Poppenbouwing 29-31, 4191 NZ Geldermalsen,
CCI No. 51509970, THE NETHERLANDS
info@napoleongrills.nl

Dimensions



PRO285-STAND

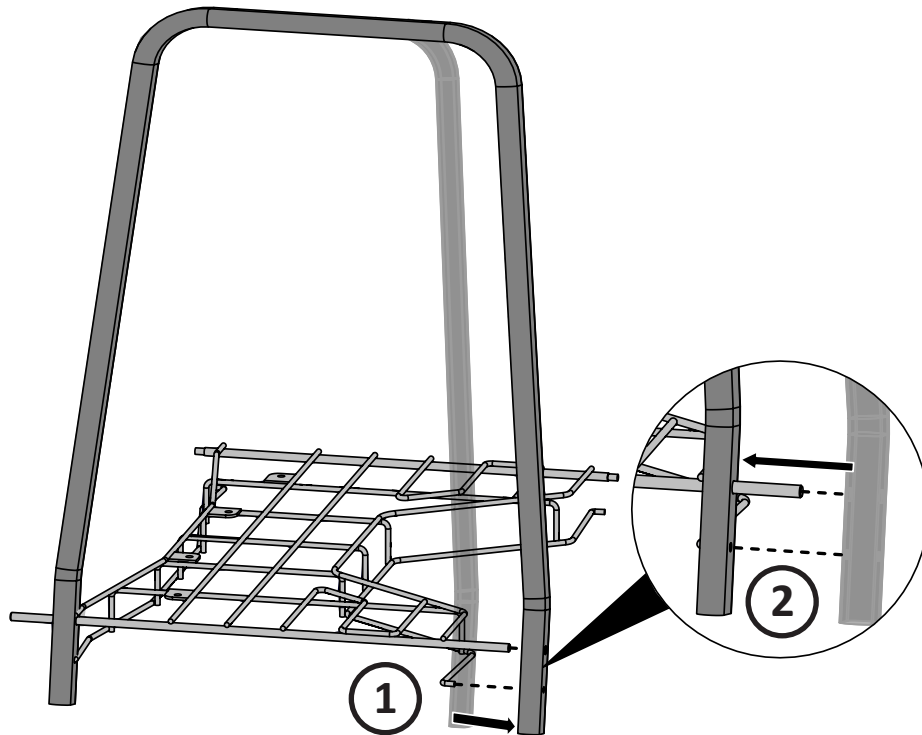
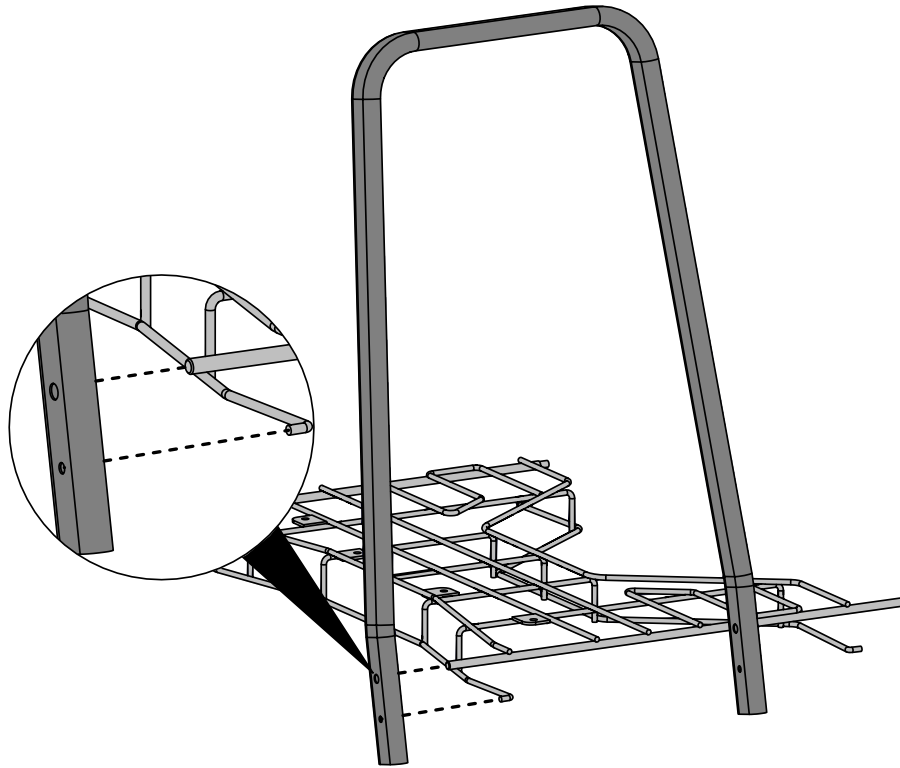
ALL DIMENSIONS ARE APPROXIMATE

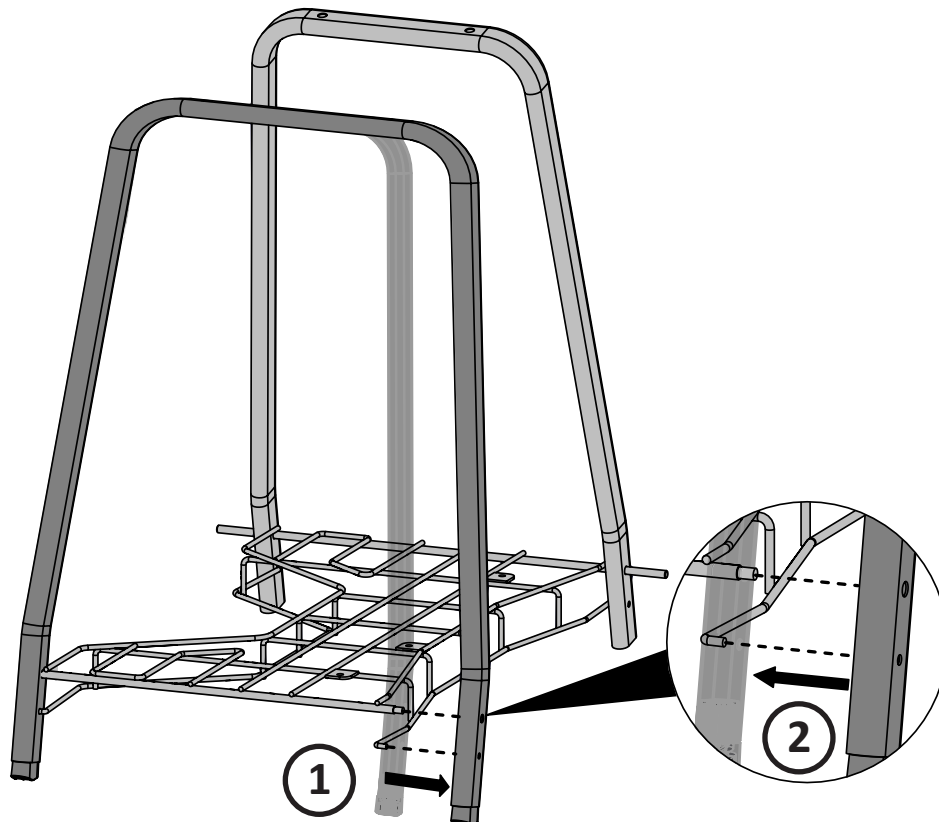
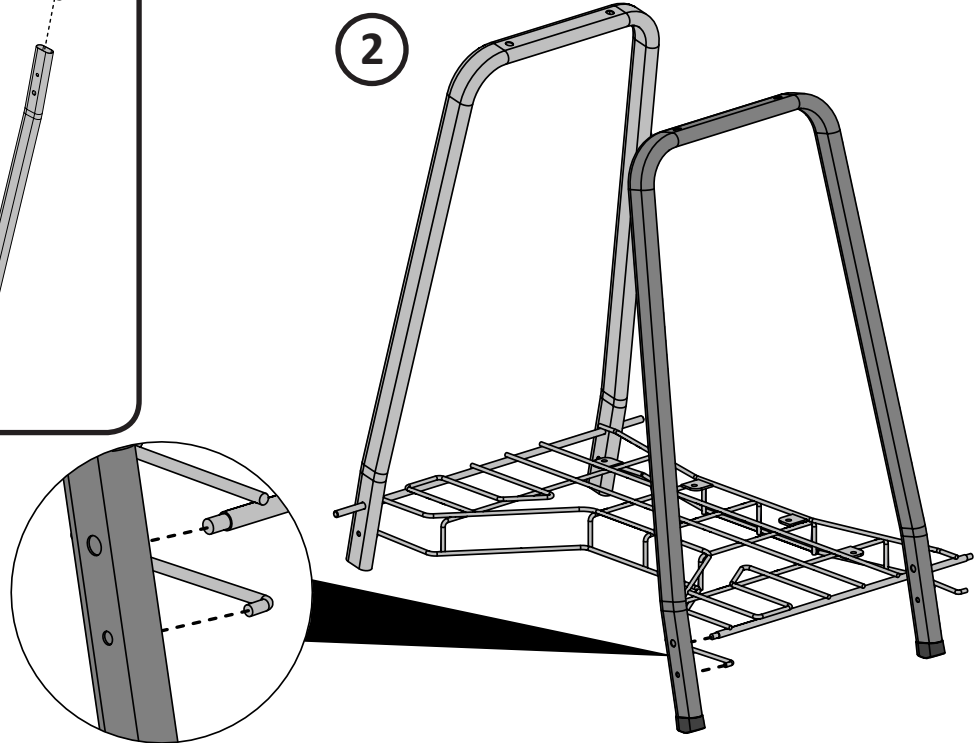
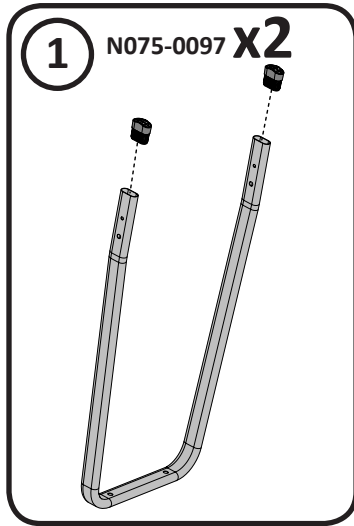


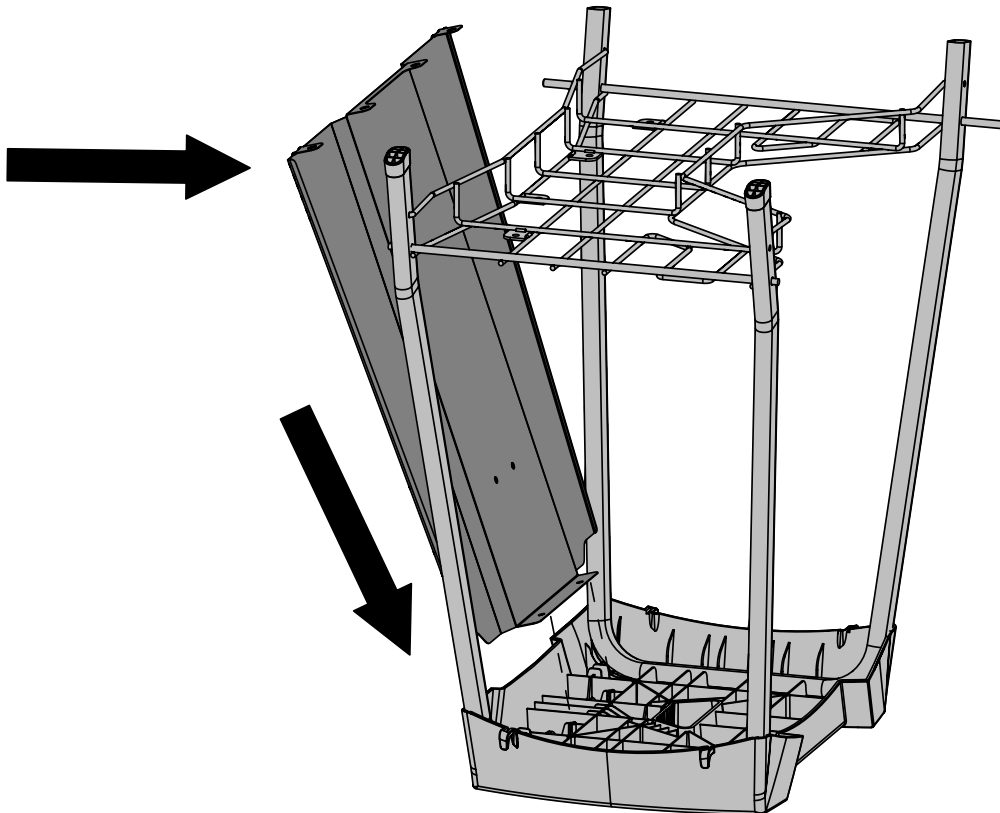
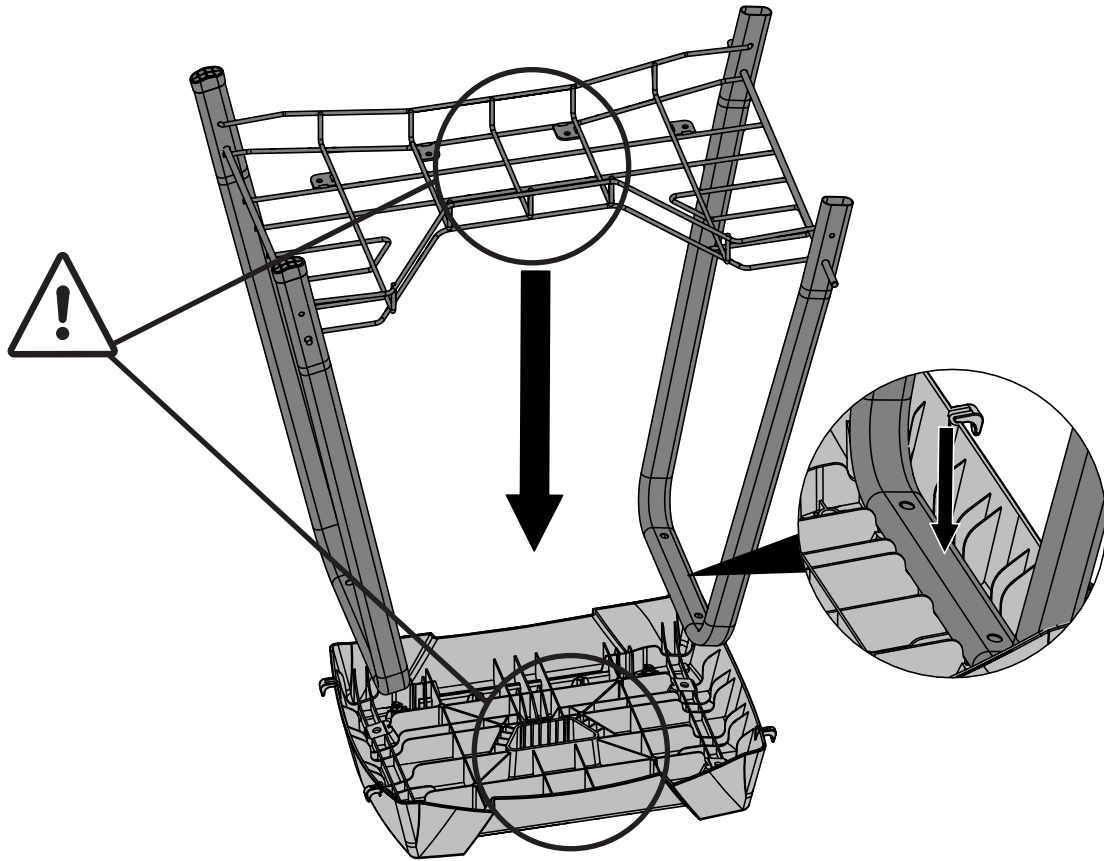
TOOLS REQUIRED FOR ASSEMBLY (tools not included)

10mm
13mm







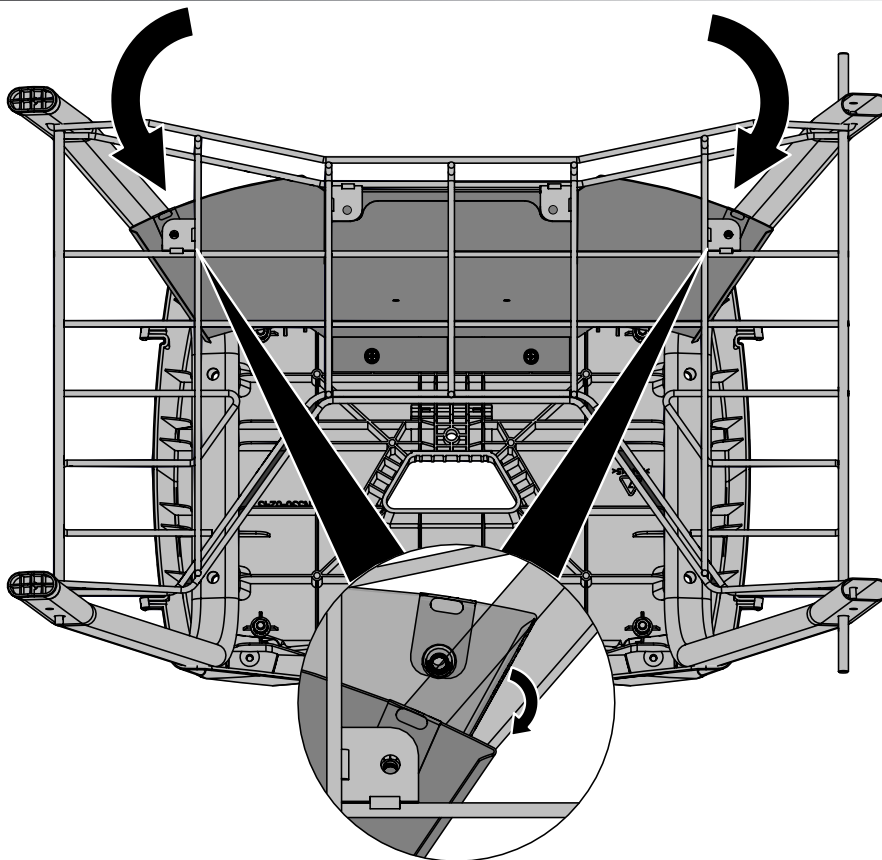
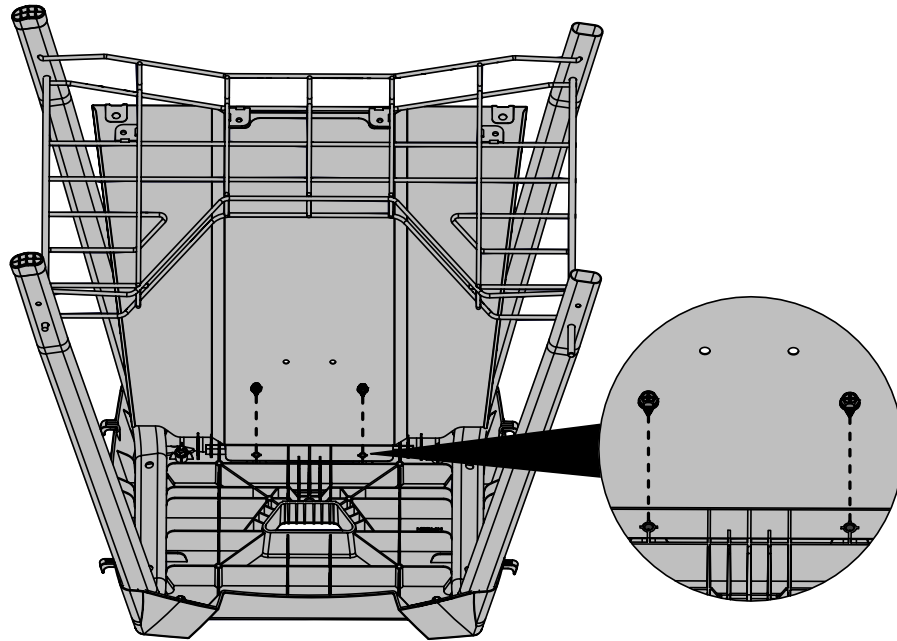




N570-0086 (#14 x 1/2")

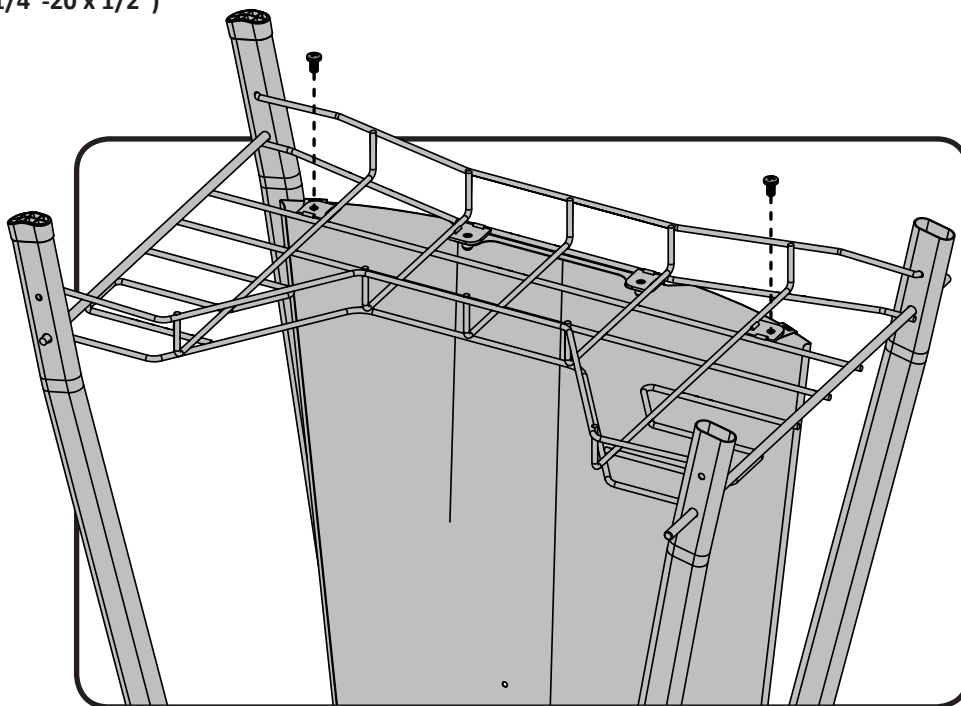


10mm

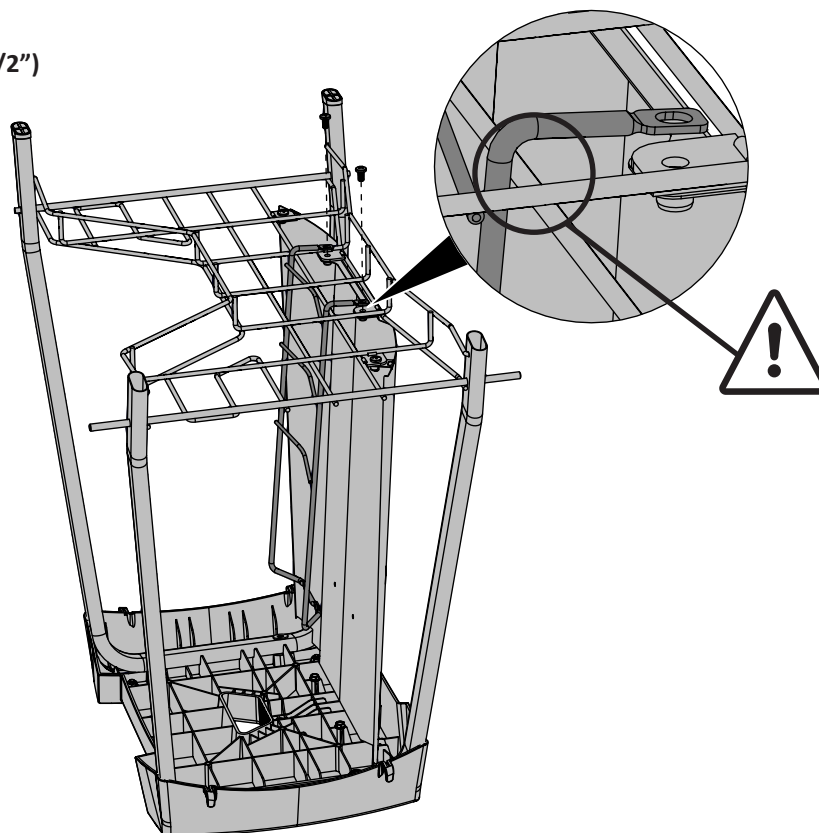


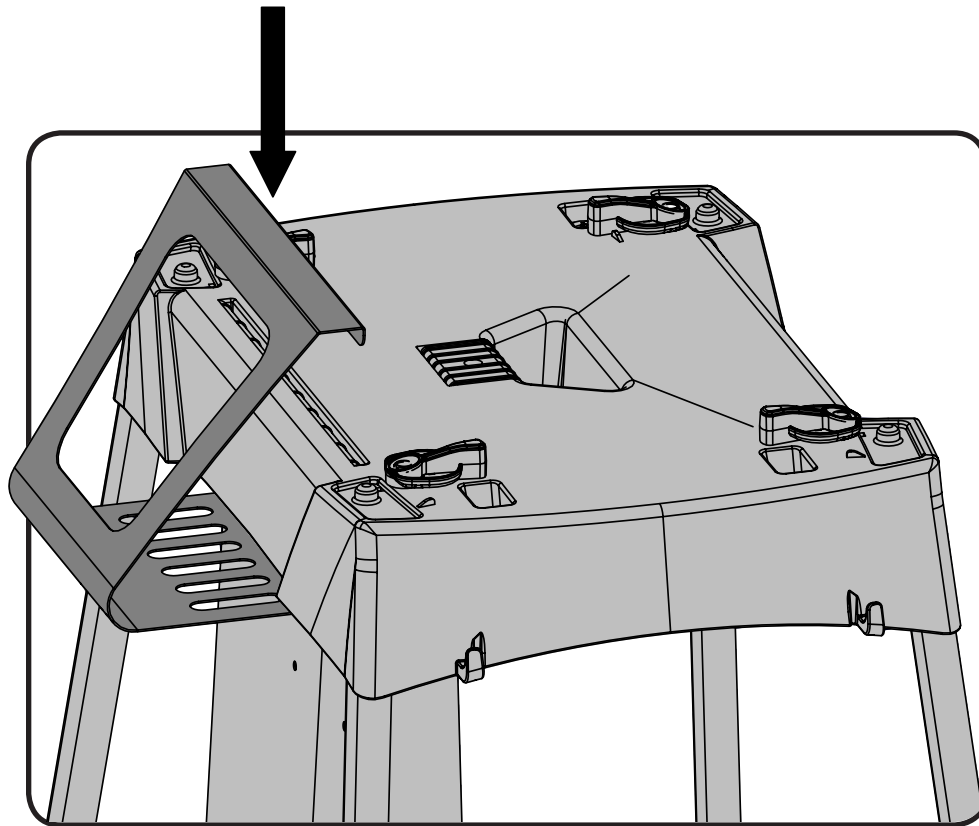


N570-0017 (1/4" -20 x 1/2")



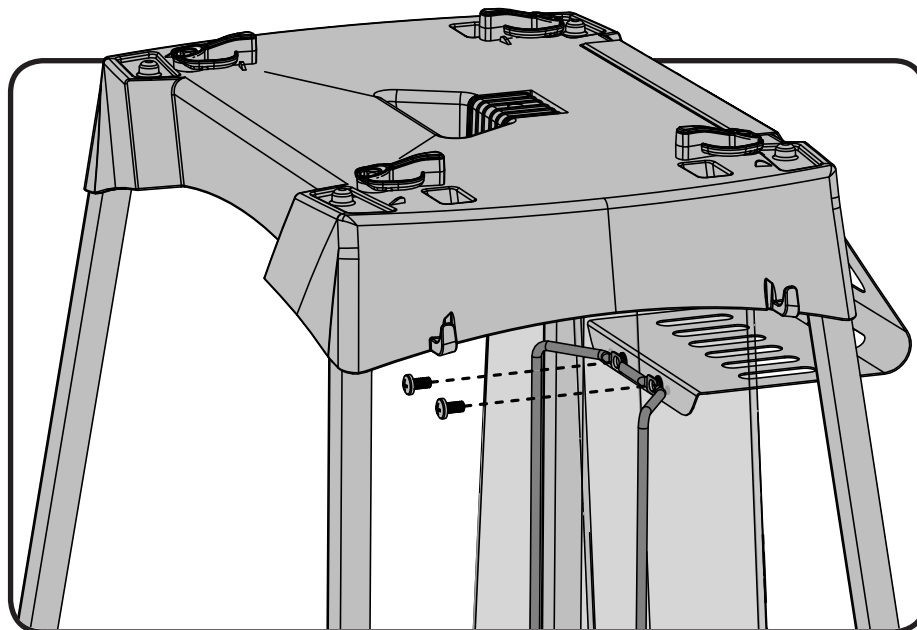
N570-0017 (1/4" -20 x 1/2")

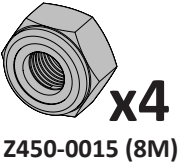
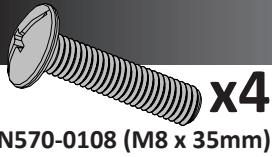




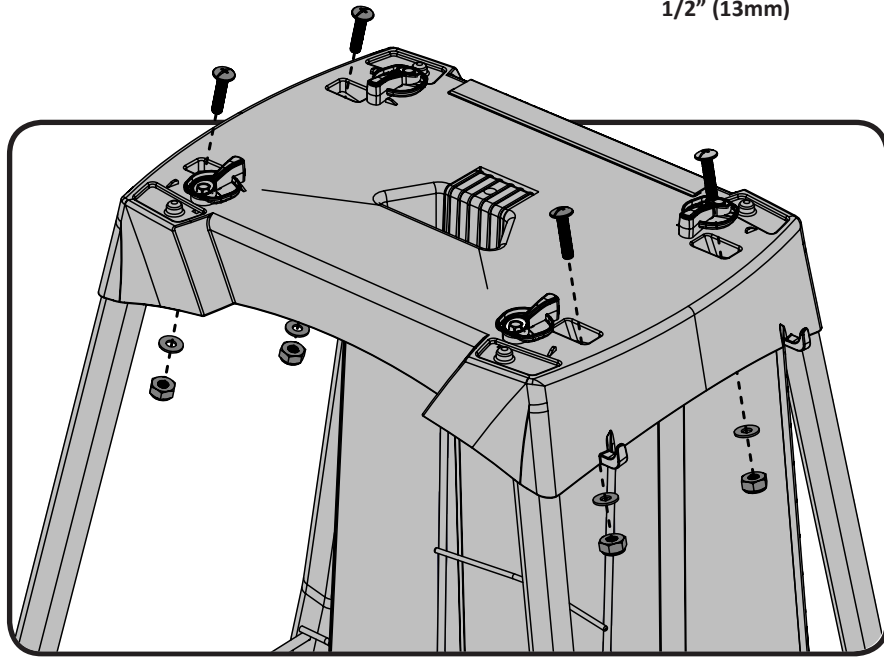
x2

N570-0017 (1/4"-20 x 1/2")

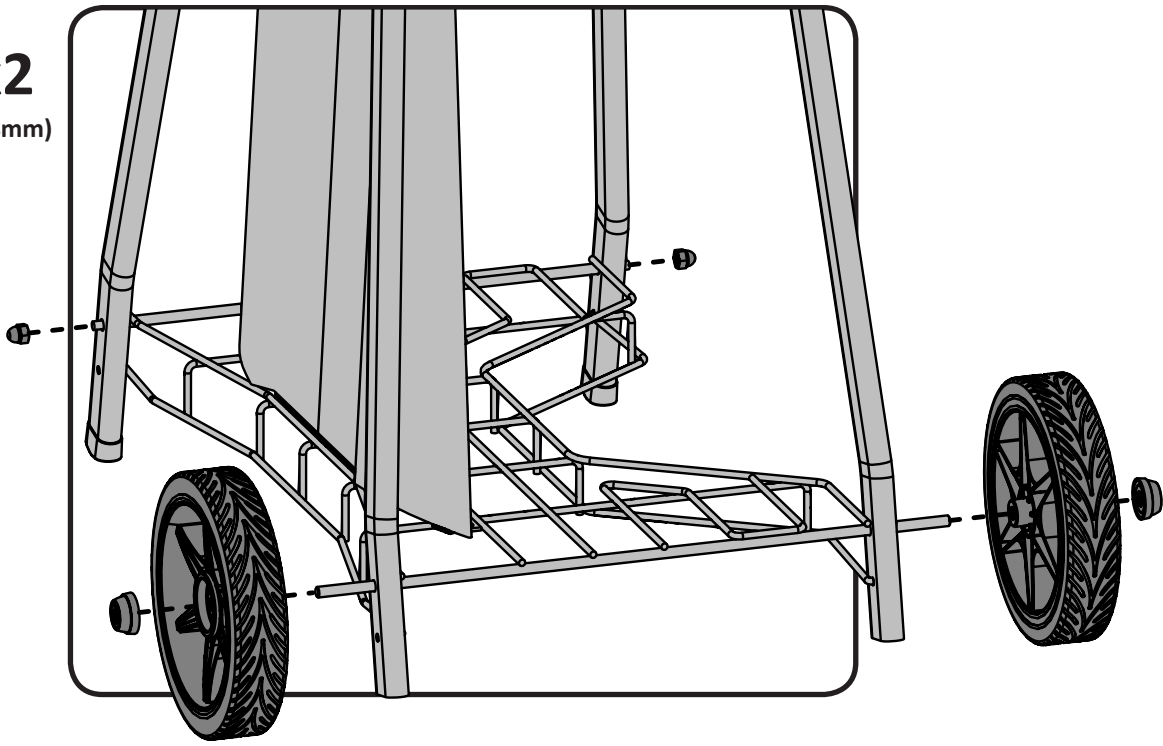


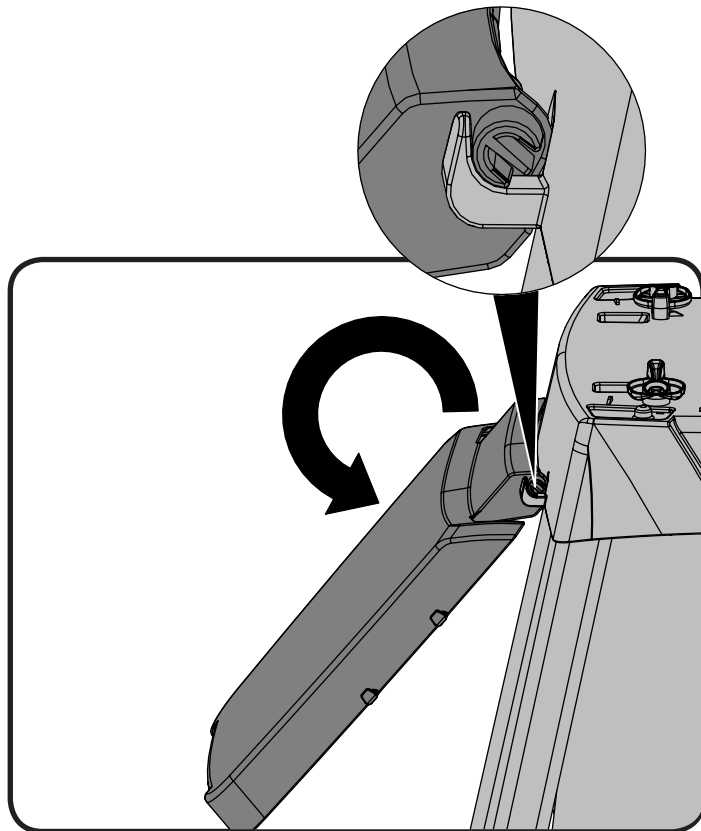
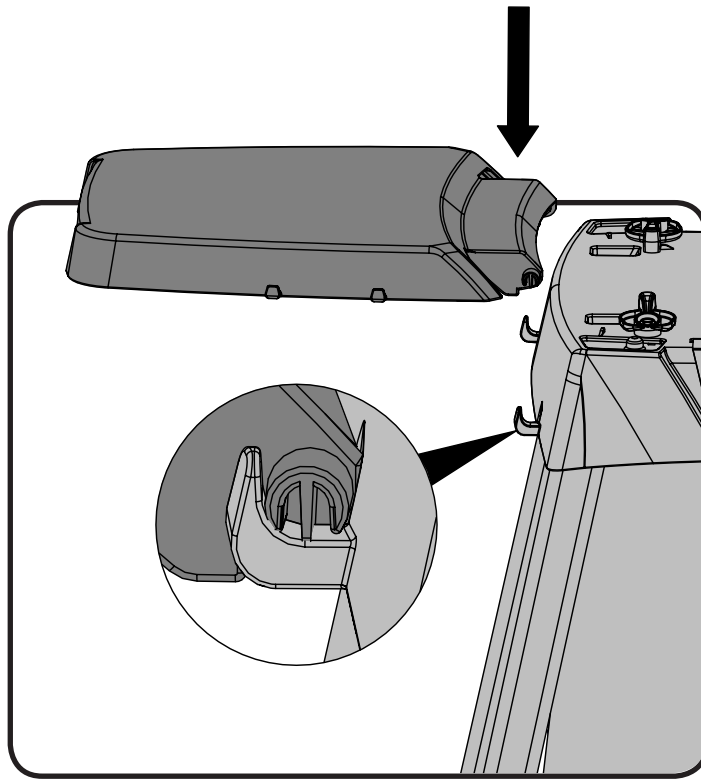


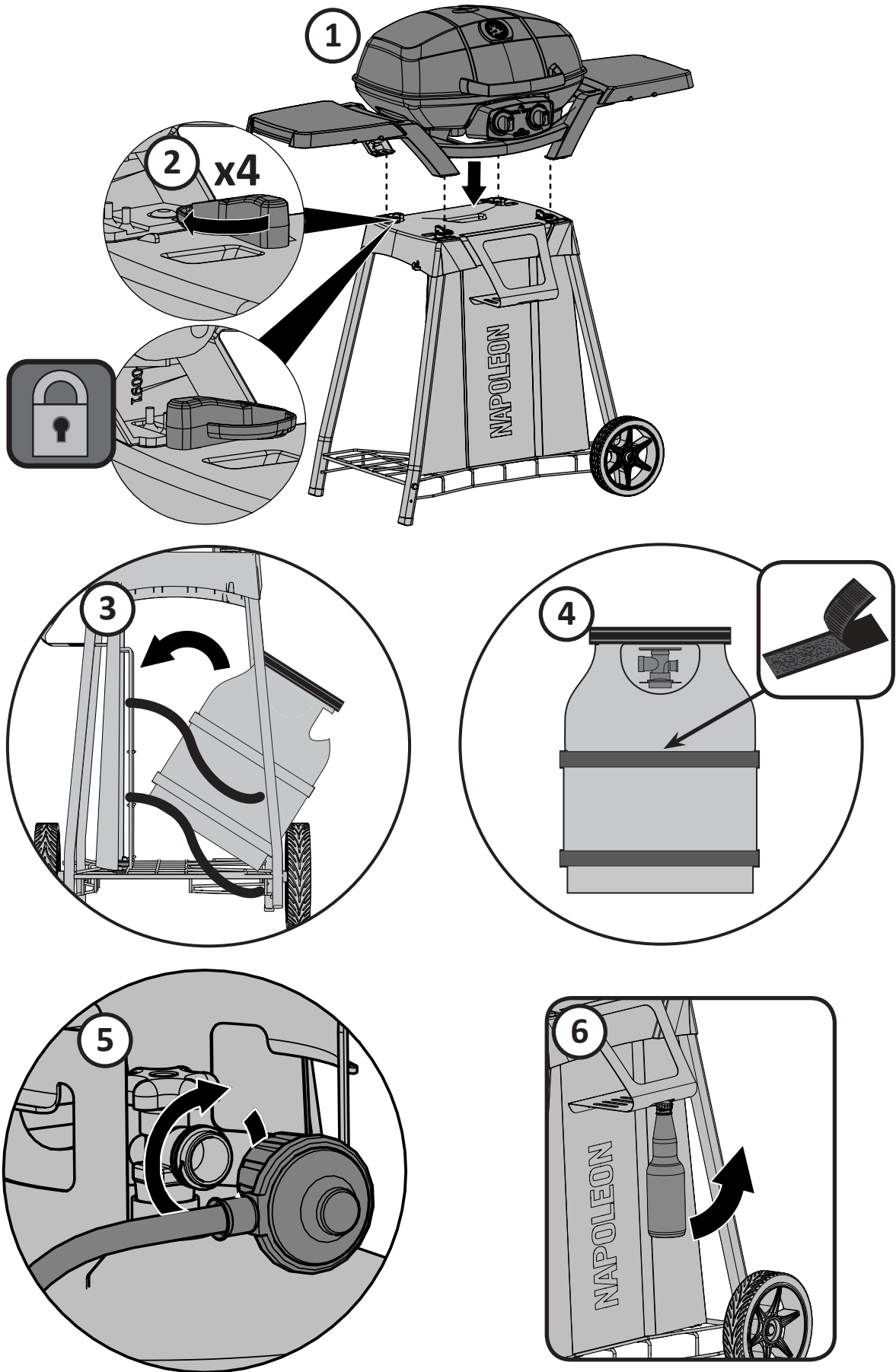
1/2" (13mm)



13mm



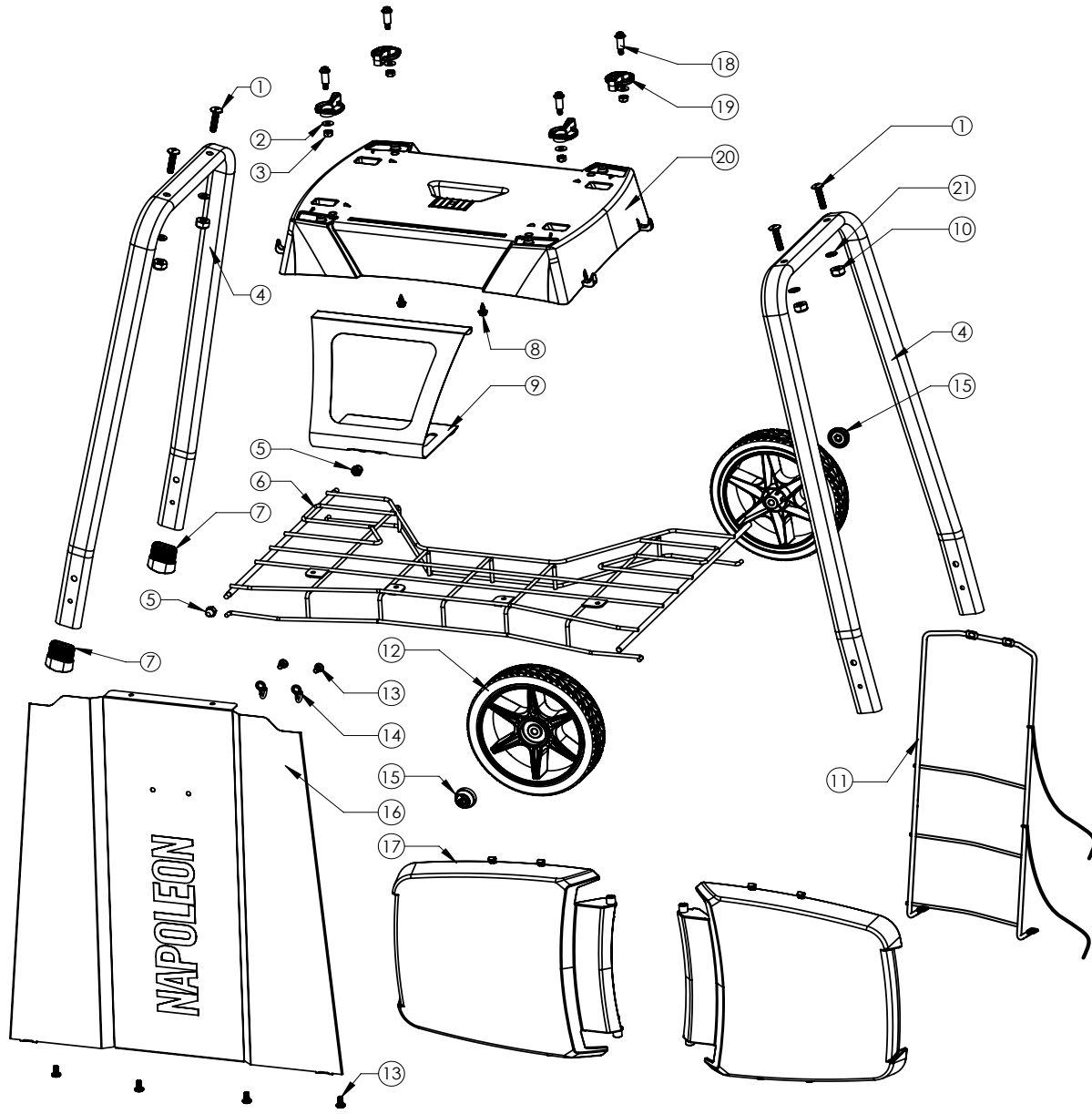




PARTS LIST

Item	Part #	Description	
1	N570-0108	screw M8 x 35mm	x
2	N735-0007	1/4" washer	x
3	N450-0025	1/4-20 nut	x
4	N720-0077-SS1SG	leg	x
5	N450-0035	acorn nut M8	x
6	N590-0245-BK1SG	wire shelf	x
7	N075-0097	foot	x
8	N570-0086	#14 x 1/2" screw	x
9	N710-0092-SS1SG	condiment tray	x
10	Z450-0015	M8 nut	x
11	N010-0870	tank support	x
12	Z745-0001	wheel	x
13	N570-0017	1/4-20 x 1/2" screw	x
14	N340-0007	door hook	x
15	N450-0043	axle cap	x
16	N475-0352-BK1SG	panel	x
17	N590-0244-SER	side shelf	x
18	N570-0110	shoulder screw	x
19	N390-0006	latch	x
20	N590-0243	shelf stand	x
21	N735-0019	8mm washer	x

PARTS DIAGRAM



Notes

Notes



Napoleon products are protected by one or more U.S. and Canadian and/or foreign patents or patents pending.



N415-0397CE