

OPERATION WHEN DIRECTLY CONNECTED TO CHIMNEY	ECKA 67/45/51 WLh (WRh)
Tested according to	EN 13229
Nominal heat power / Power absorbed to water	13 / 7,9 kW
Efficiency	> 80 %
Consumption of wood	3,5 kg/h
Mass flow of flue gas	10,6 g/s
Average flue gas temperature on the output	211 °C
Heat distribution fireplace insert door glass (single / double) water	7 % 38 / 26 % 55 - 67 %
Required chimney pressure	12 Pa
Required amount of combustion air	40 m ³ /h
Minimum supply air grating cross-section	200 cm ²
Minimum outgoing air grating cross-section	250 cm ²

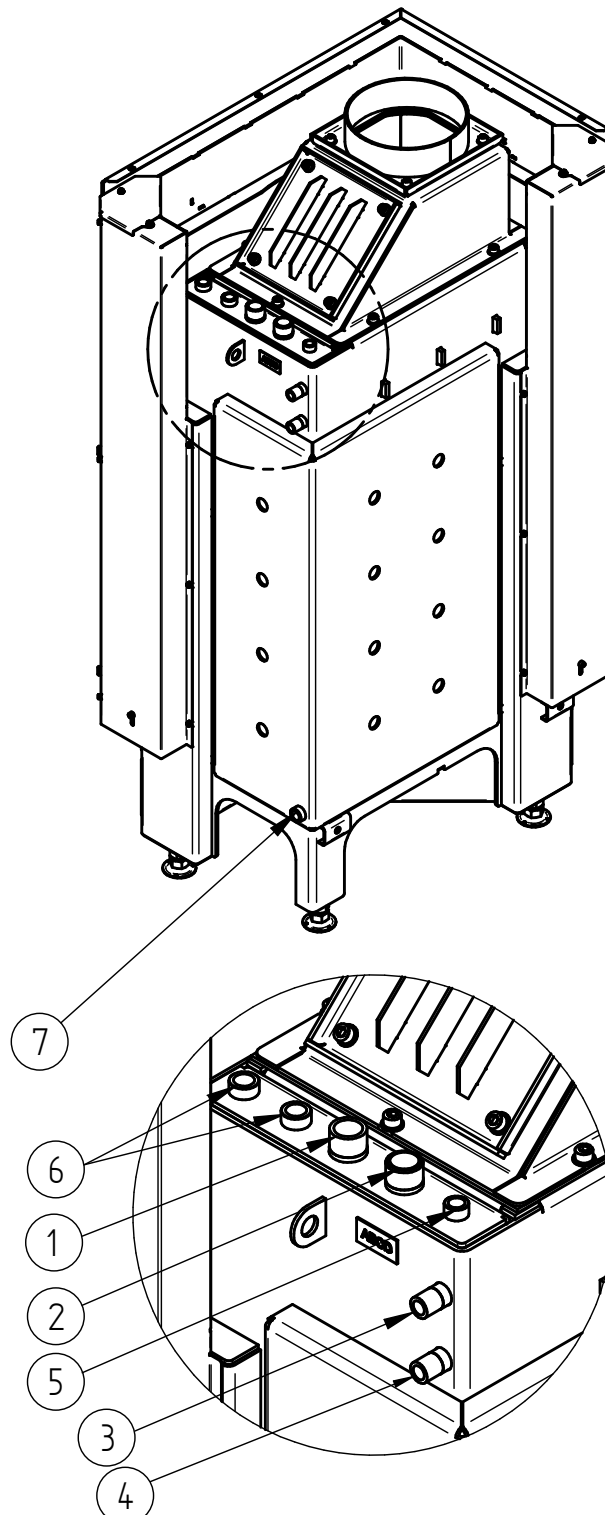
WATER EXCHANGER SPECIFICATIONS	
Maximum working pressure	2,5 bar
Minimum return water temperature	55 °C
Water capacity	47 liter
Connection input / output	G 1 / G 1

GENERAL TECHNICAL INFORMATION	
Combustion air connection	Ø 125 mm
Total weight / lining weight	ca. 370 / 87 kg
Use in non-ventilated accumulation builds according to craft rules	suitable
Meets values	BlmSchV (Stufe2), 15a BVG

ECKA 67/45/51WL, WR

Technical data
Version 07/2015

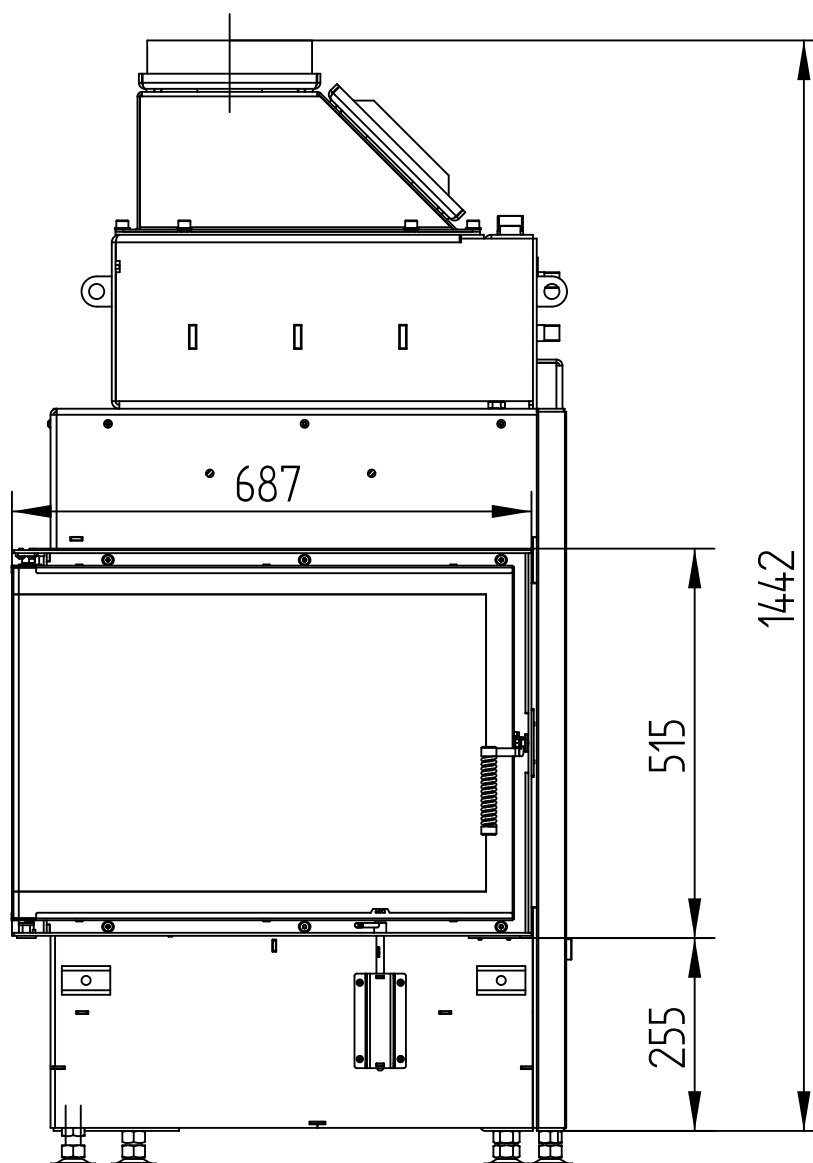
NR.	THREAD SIZE	DESCRIPTION
1	G 1" (AG)	Water supply from heating system - min. 55°C
2	G 1" (AG)	Hot water supply to heating system
3	G 1/2" (AG)	Water supply from the waterlines into the cooling loop
4	G 1/2" (AG)	Discharge of water from the cooling loop into the waste
5	G 3/8" (IG)	Pocket for air vent valve
6	G 1/2" (IG)	Pocket for thermal sensors
7	G 1/2" (IG)	Discharge valve



ECKA 67/45/51WL

Technical data
Version 07/2015

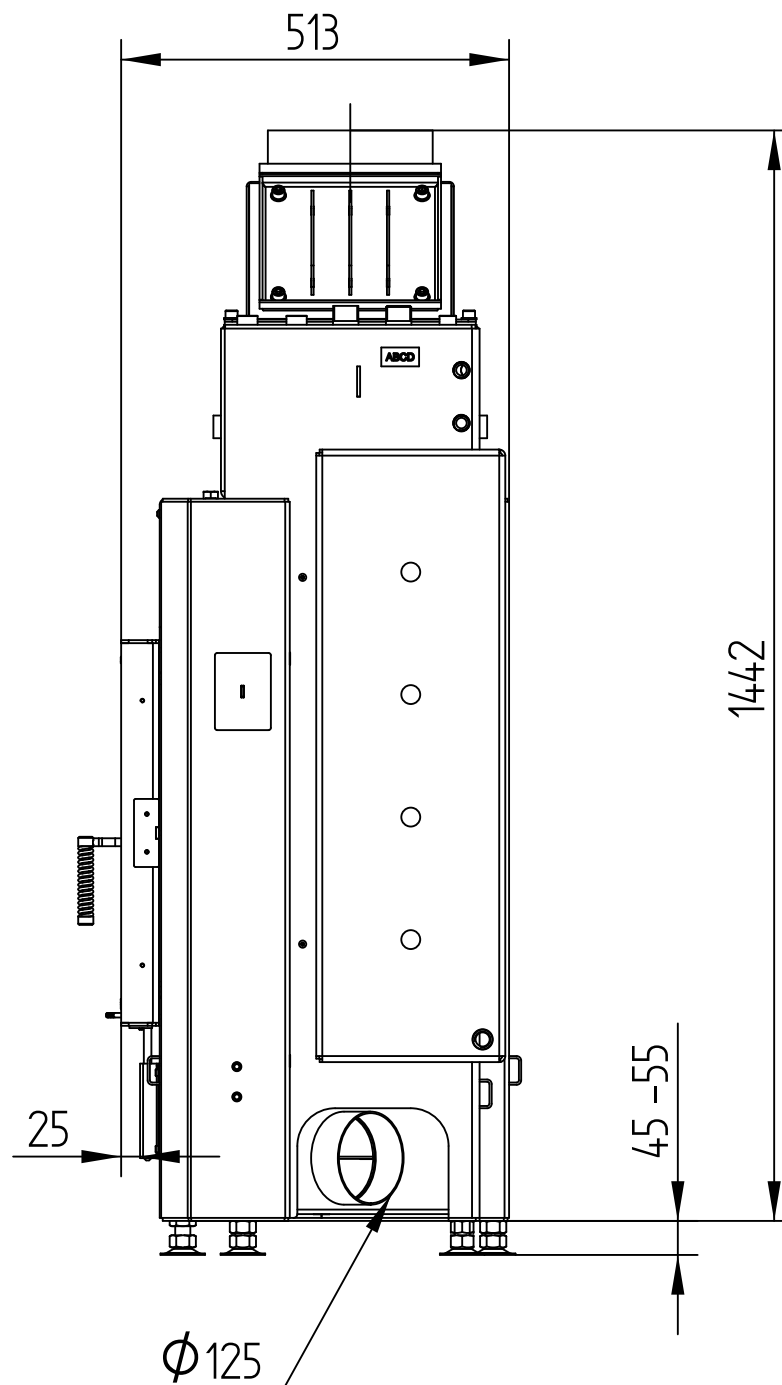
M 1 : 10



ECKA 67/45/51WL

Technical data
Version 07/2015

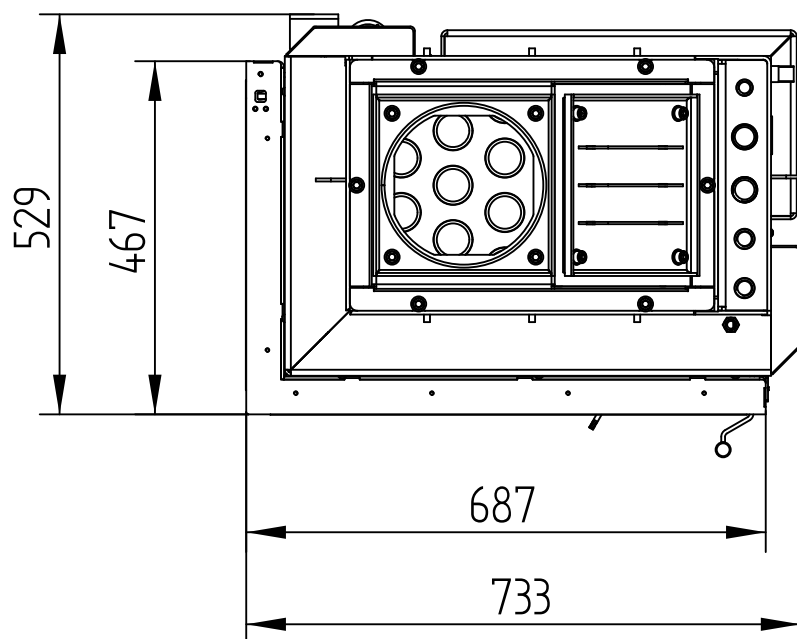
M 1 : 10



ECKA 67/45/51WL

Technical data
Version 07/2015

M 1 : 10

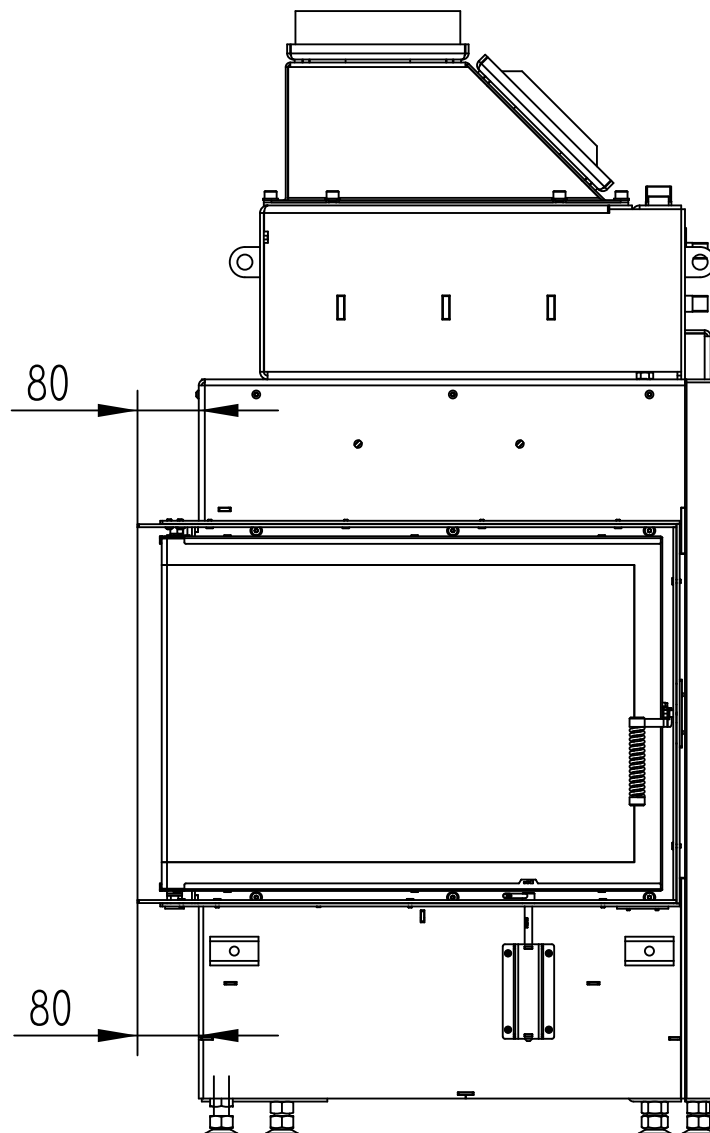


ECKA 67/45/51WL

BUILD-ON FRAME 6-SIDED, 80 mm

Technical data
Version 07/2015

M 1 : 10

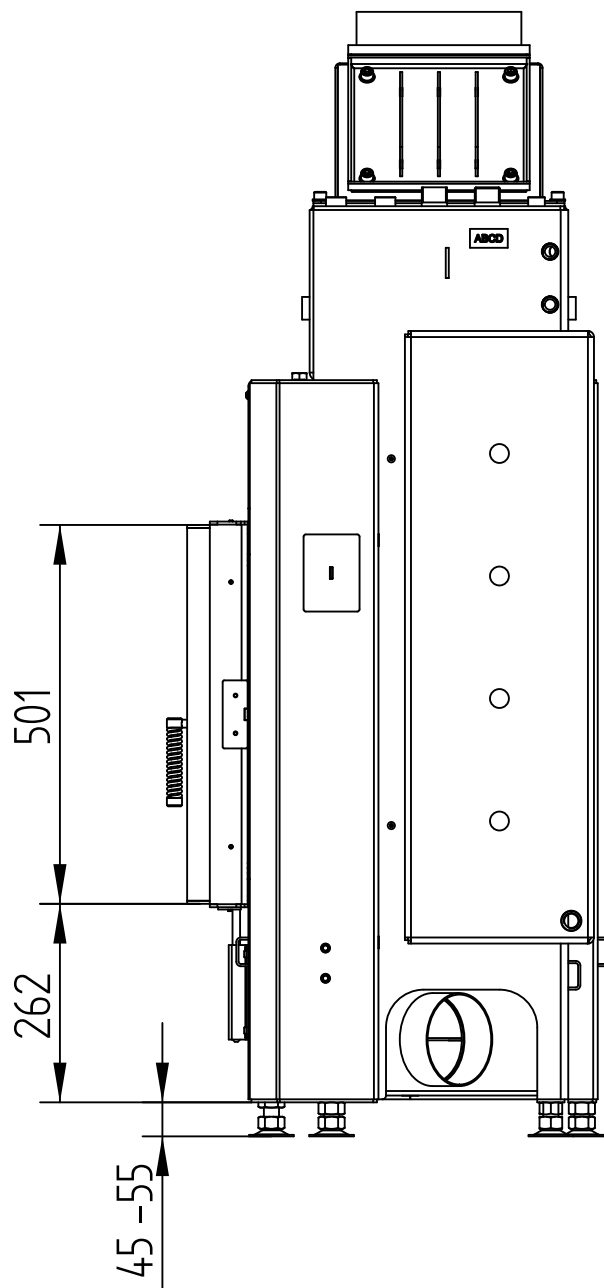


ECKA 67/45/51WL

BUILD-ON FRAME 6-SIDED, 80 mm

Technical data
Version 07/2015

M 1 : 10



ECKA 67/45/51WL

BUILD-ON FRAME 6-SIDED, 80 mm

Technical data
Version 07/2015

M 1 : 10

