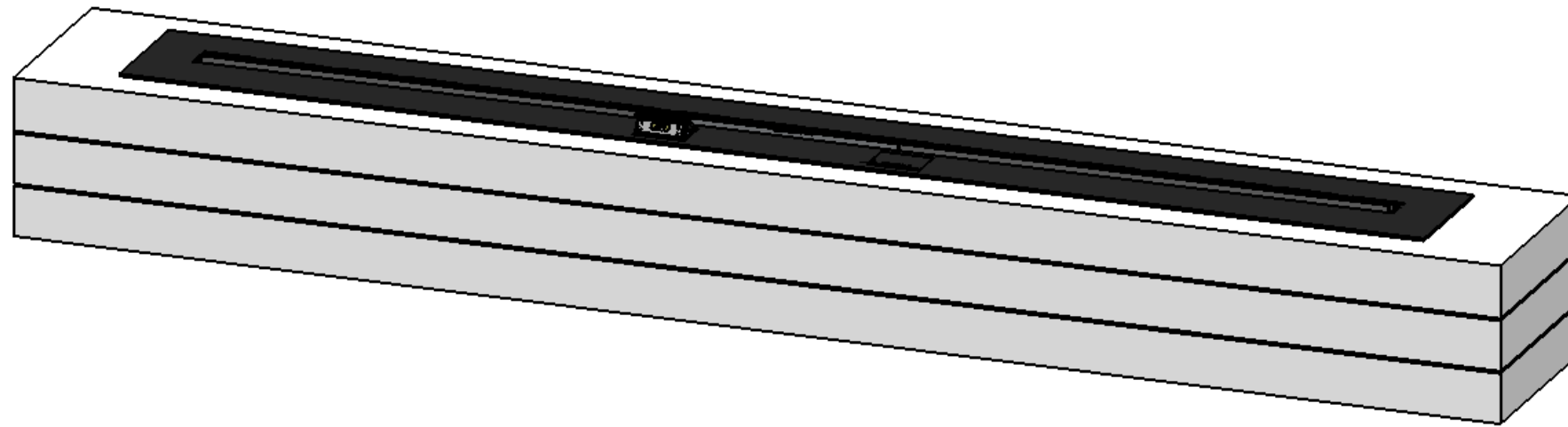

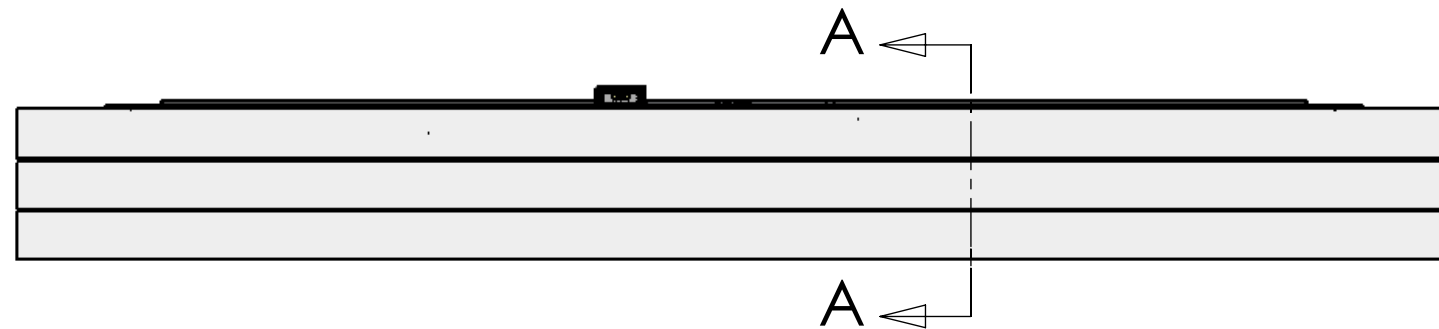


decoflame® Denver e-Ribbon Fire F 2500x250x5mm

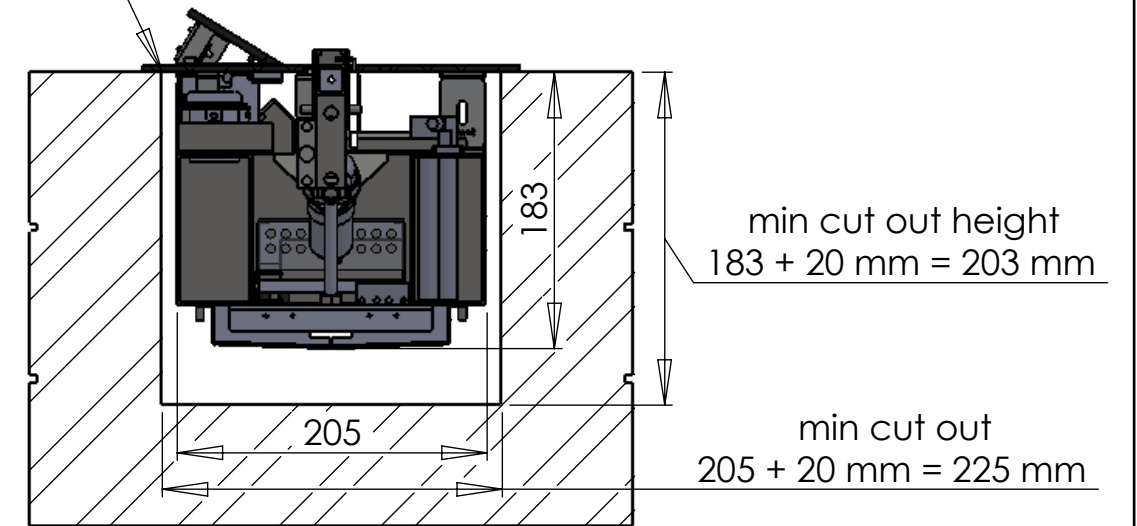


Dimensions are in millimeters	 DecoFlame ApS Stenholm 14 DK-9400 Nørresundby TLF: +45 96 30 48 00 www.decoflame.com	SCALE: 1:20
MATERIAL:		FORMAT: A3
WEIGHT: kg	Order Number:	SHEET 1 OF 5
REVISION:		DWG NO. Denver e-Ribbon F 2500x250x5 FT2300
Copyright of DecoFlame ApS Denmark, whose property this document remains. No part thereof may be disclosed, copied, duplicated or in any other way made use of, except with the approval of DecoFlame ApS.		

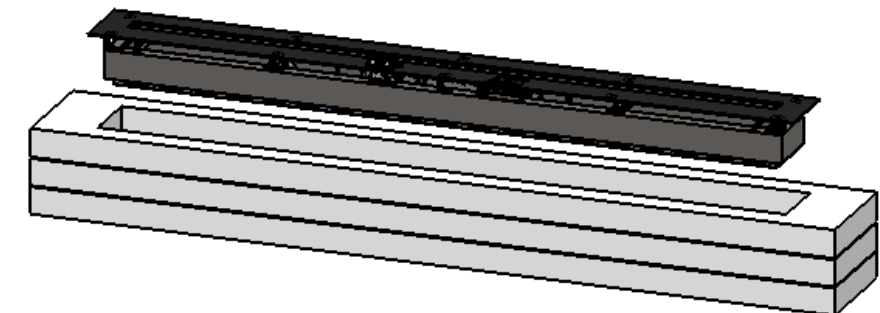
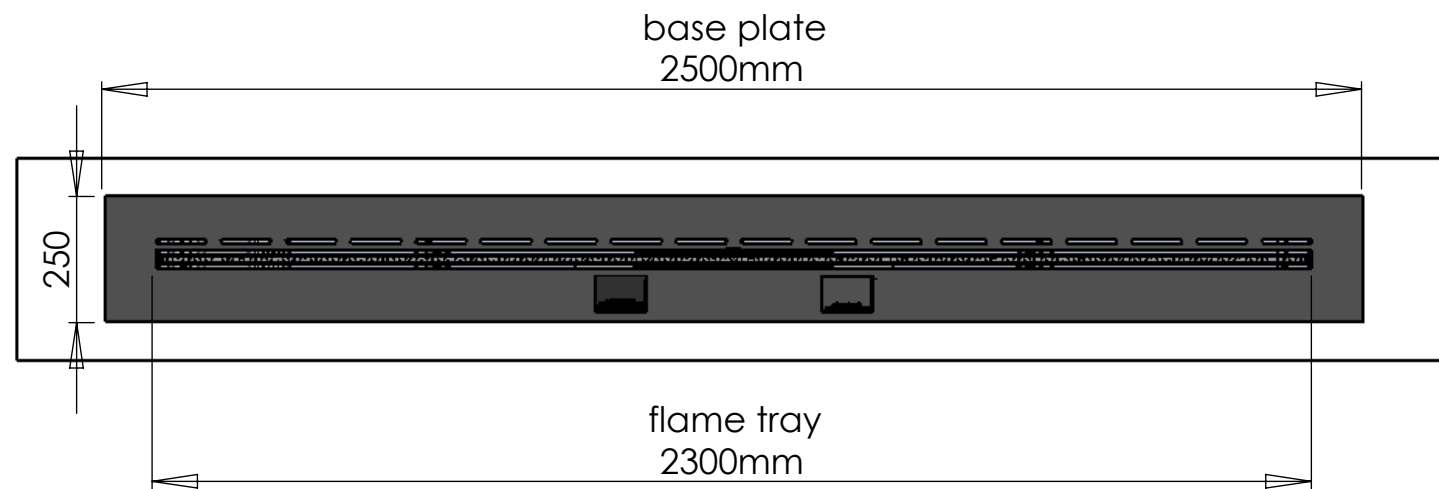
Mounting if top plate is to rest on top of surrounding surface
 Note: base plate can get hot! Ensure that the surrounding surface can withstand a temperature of around 50 degrees C.



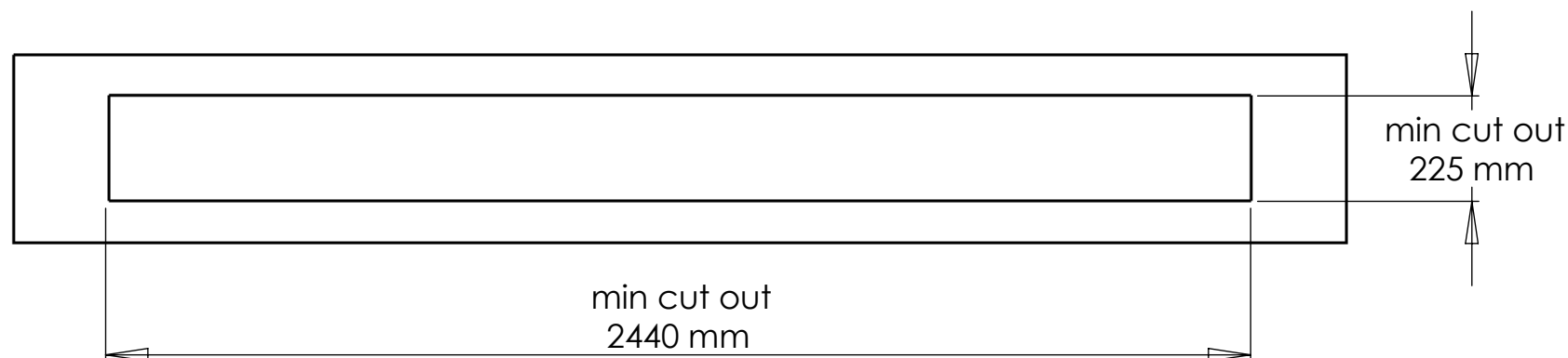
Top plate rest on surrounding surface



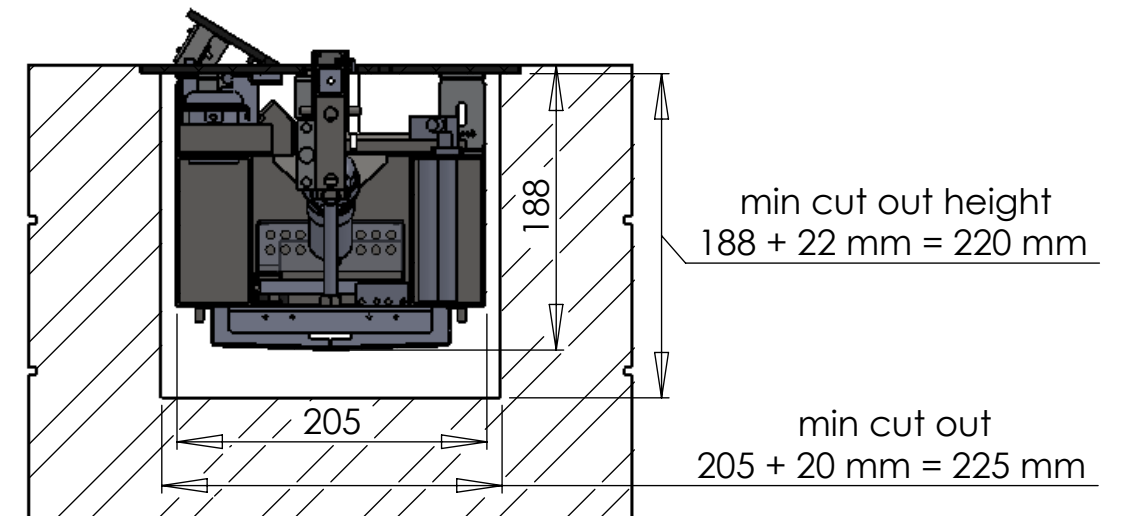
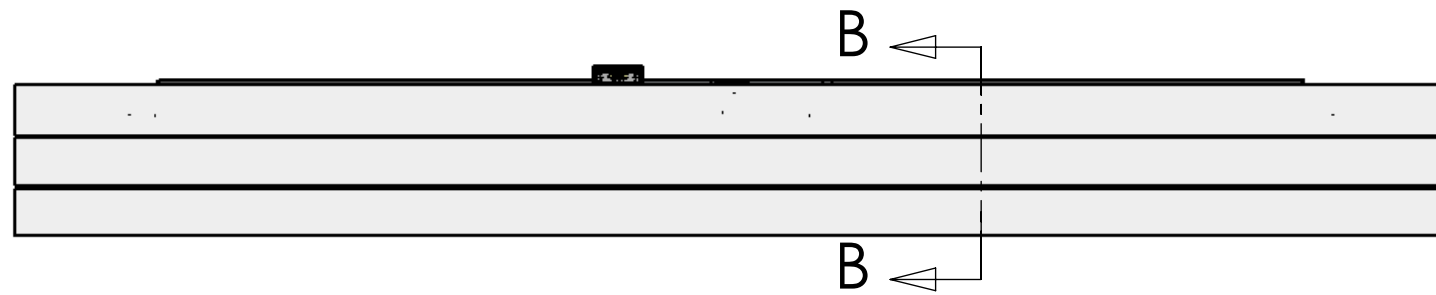
SECTION A-A
 SCALE 1 : 5



*Installation example

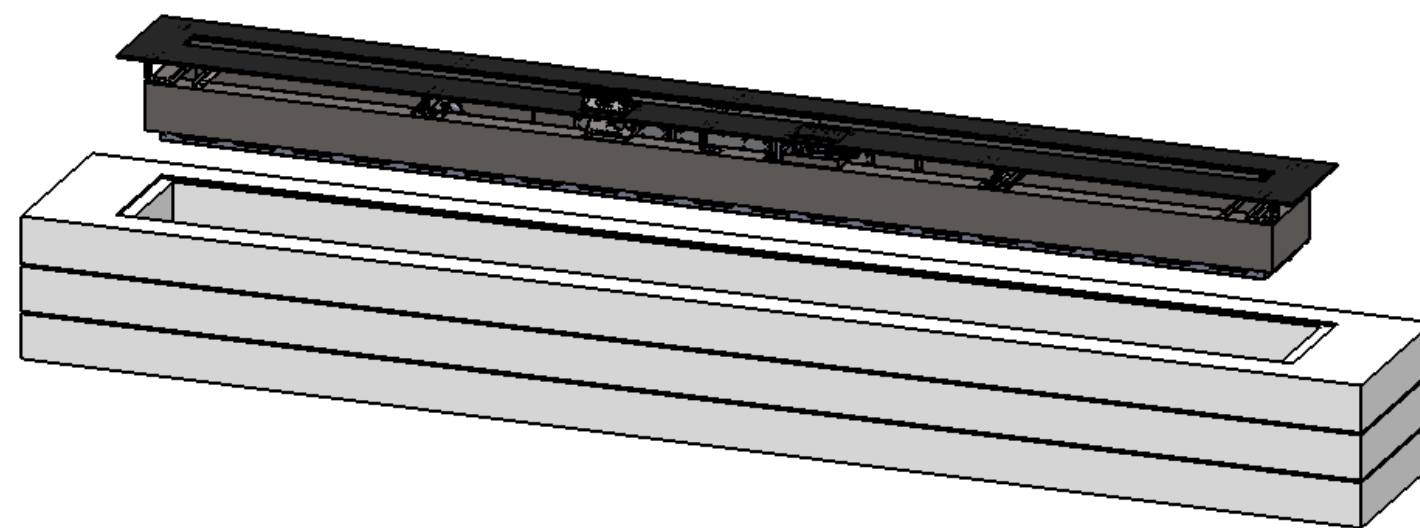
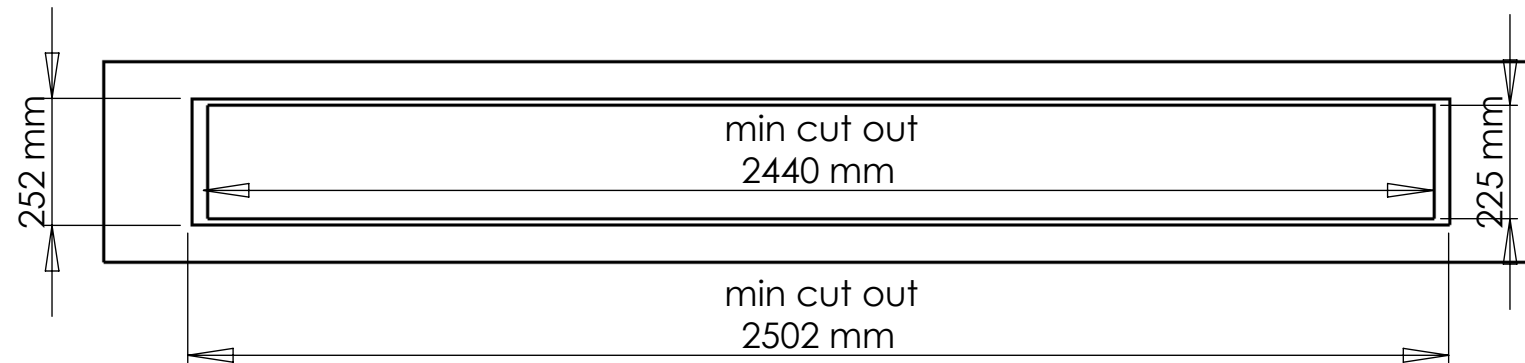


Dimensions are in millimeters		 DecoFlame ApS Stenholm 14 DK-9400 Nørresundby TLF: +45 96 30 48 00 www.decoflame.com	SCALE: 1:15
MATERIAL:			FORMAT: A3
WEIGHT:	kg	Order Number:	SHEET 2 OF 5
REVISION:			
Copyright of DecoFlame ApS Denmark, whose property this document remains. No part thereof may be disclosed, copied, duplicated or in any other way made use of, except with the approval of DecoFlame ApS.		DWG NO.	Denver e-Ribbon F 2500x250x5 FT2300mm



SECTION B-B
SCALE 1 : 5

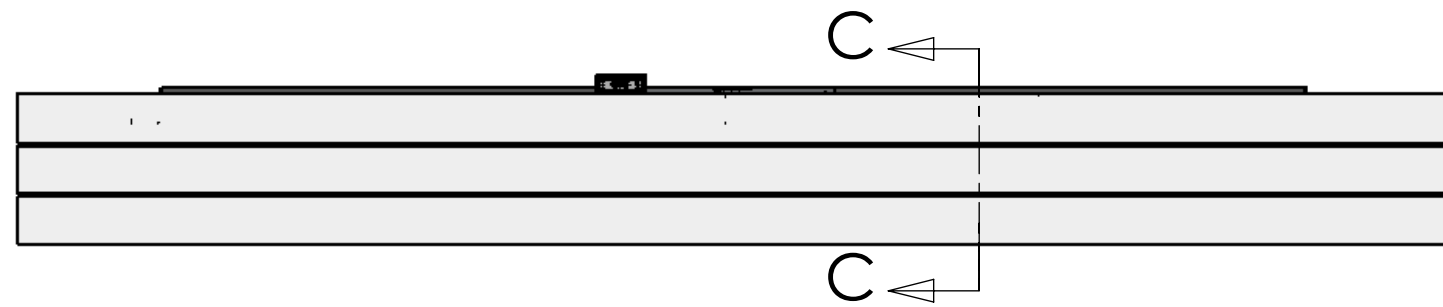
Min cut out if the fireplace is to be lowered into a cavity in such a manner that the base plate is level with the surrounding surface.
Hole to cut out = base plate + 2 mm e.g. 900 x 250 mm = 902 x 252 mm



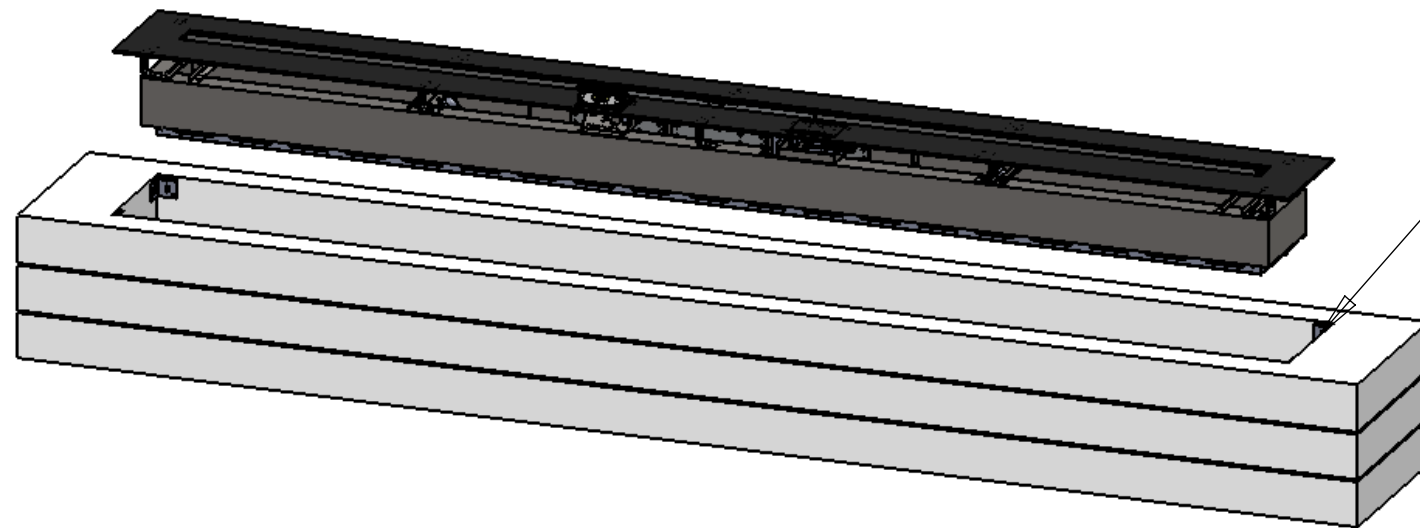
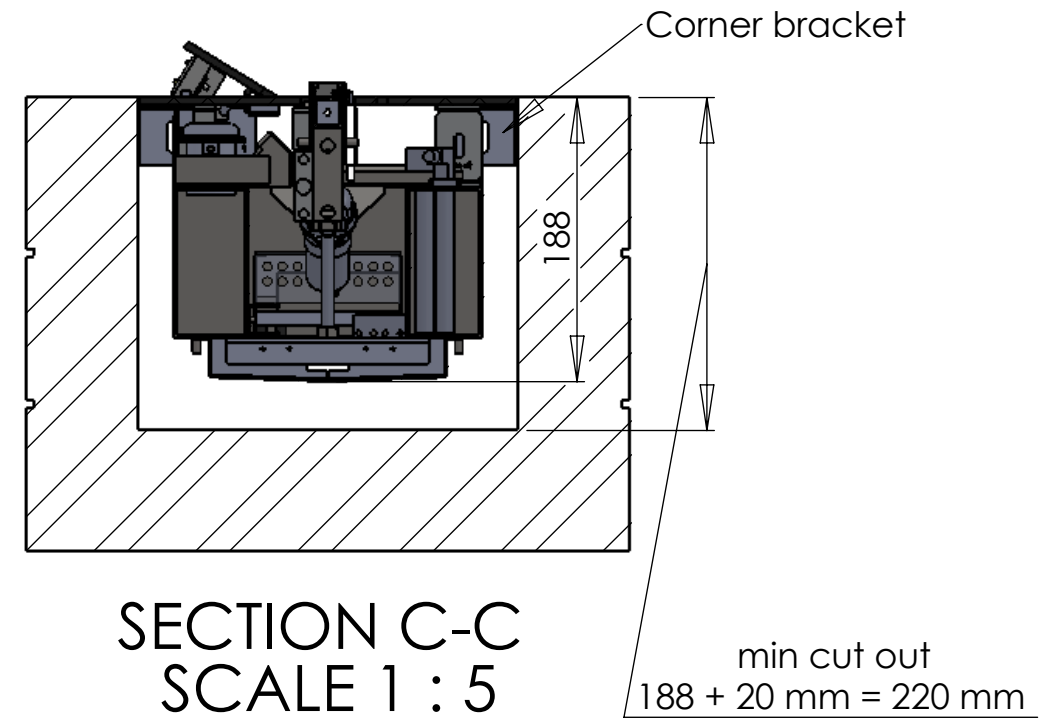
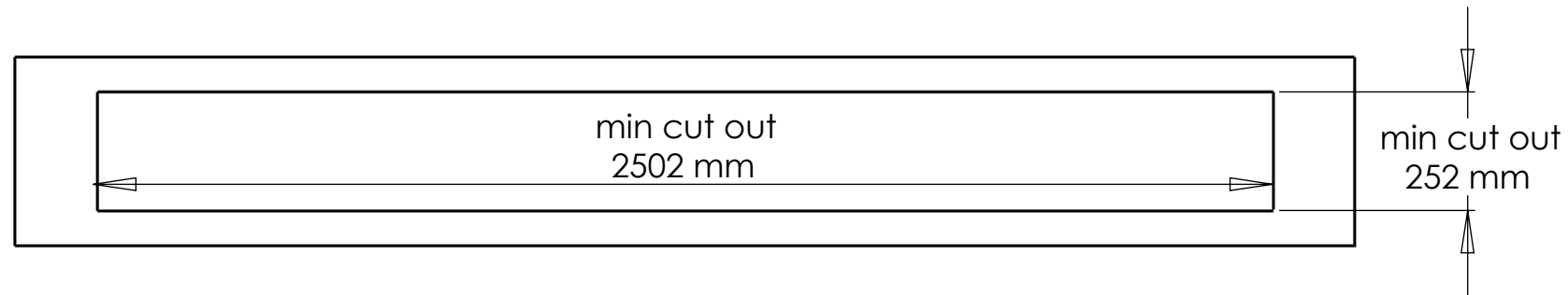
Note: base plate can get hot! Ensure that the surrounding surface can withstand a temperature of around 50 degrees C.

*Installation example

Dimensions are in millimeters		 DecoFlame ApS Stenholm 14 DK-9400 Nørresundby TLF: +45 96 30 48 00 www.decoflame.com	SCALE: 1:10
MATERIAL:			FORMAT: A3
WEIGHT:	kg	Order Number:	SHEET 3 OF 5
REVISION:			
Copyright of DecoFlame ApS Denmark, whose property this document remains. No part thereof may be disclosed, copied, duplicated or in any other way made use of, except with the approval of DecoFlame ApS.		DWG NO.	Denver e-Ribbon F 2500x250x5 FT2300mm




Min cut out if the fireplace is to be lowered into a cavity in such a manner that the base plate is level with the surrounding surface.
 Hole to cut out = base plate + 2 mm e.g. 900 x 250 mm = 902 x 252 mm

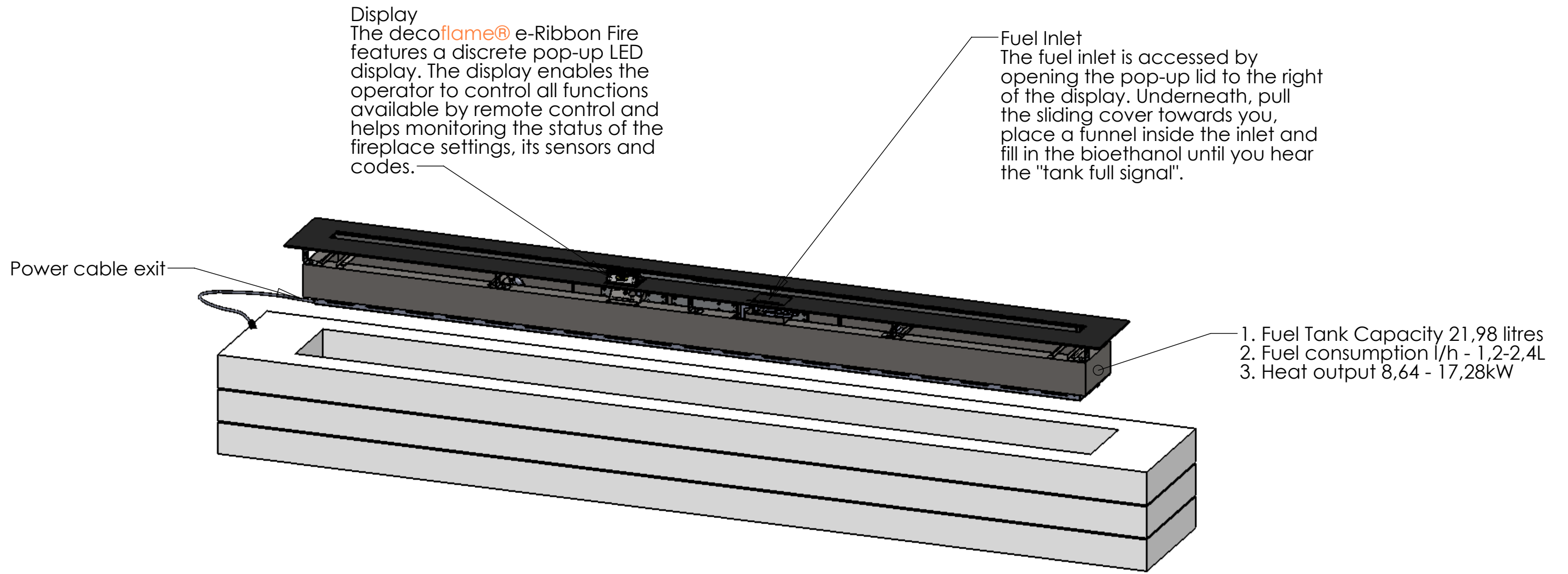


4 corner brackets to be mounted if the fireplace is to be lowered into a cavity.

*Installation example

Note: base plate can get hot! Ensure that the surrounding surface can withstand a temperature of around 50 degrees C.

Dimensions are in millimeters		 DecoFlame ApS Stenholm 14 DK-9400 Nørresundby TLF: +45 96 30 48 00 www.decoflame.com	SCALE: 1:10
MATERIAL:			FORMAT: A3
WEIGHT:	kg	Order Number:	SHEET 4 OF 5
REVISION:			
Copyright of DecoFlame ApS Denmark, whose property this document remains. No part thereof may be disclosed, copied, duplicated or in any other way made use of, except with the approval of DecoFlame ApS.		DWG NO.	Denver e-Ribbon F 2500x250x5 FT2300 mm

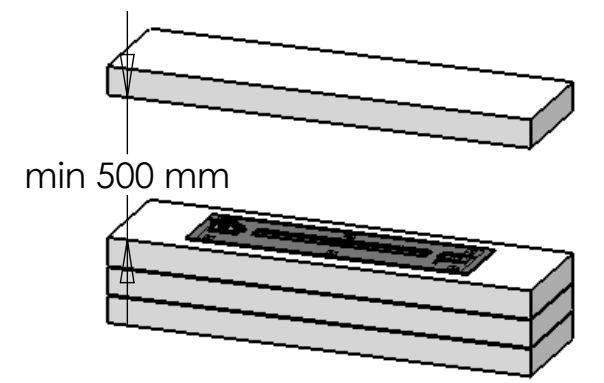
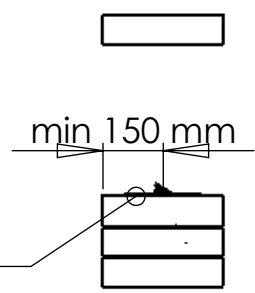


Display
 The decoflame® e-Ribbon Fire features a discrete pop-up LED display. The display enables the operator to control all functions available by remote control and helps monitoring the status of the fireplace settings, its sensors and codes.

Fuel Inlet
 The fuel inlet is accessed by opening the pop-up lid to the right of the display. Underneath, pull the sliding cover towards you, place a funnel inside the inlet and fill in the bioethanol until you hear the "tank full signal".

1. Fuel Tank Capacity 21,98 litres
2. Fuel consumption l/h - 1,2-2,4L
3. Heat output 8,64 - 17,28kW

Distance between the centre of the flame tray and any non-flammable material e.g. a wall.



General Installation Instructions for decoflame® Denver e-Ribbon Fire

Plasterboard walls - Stud-walls

All surfaces inside the wall cut-out are to be constructed or at least covered with fibre plaster board sheets or other non-flammable material.

Stone/Brick walls


The cut-out is made according to this drawing. The wall itself is non-flammable which makes it safe to install a bioethanol fireplace directly within the cutout.

Electricity Supply

The decoflame® e-Ribbon Fire needs to be connected to the mains. Make sure there is a power socket for 220 - 240V - 50 Hz installed inside the wall cut-out. Important: the power socket must be grounded/earthed.

Installation Step

1. Connect the electricity cable to the power supply inside the wall cut-out before fitting the base plate. Make sure the power supply is grounded/earthed.

Dimensions are in millimeters		 DecoFlame ApS Stenholm 14 DK-9400 Nørresundby TLF: +45 96 30 48 00 www.decoflame.com	SCALE: 1:10
MATERIAL:			FORMAT: A3
WEIGHT:	kg	Order Number:	SHEET 5 OF 5
REVISION:		DWG NO:	
Copyright of DecoFlame ApS Denmark, whose property this document remains. No part thereof may be disclosed, copied, duplicated or in any other way made use of, except with the approval of DecoFlame ApS.		Denver e-Ribbon F 2500x250x5 FT2300mm	