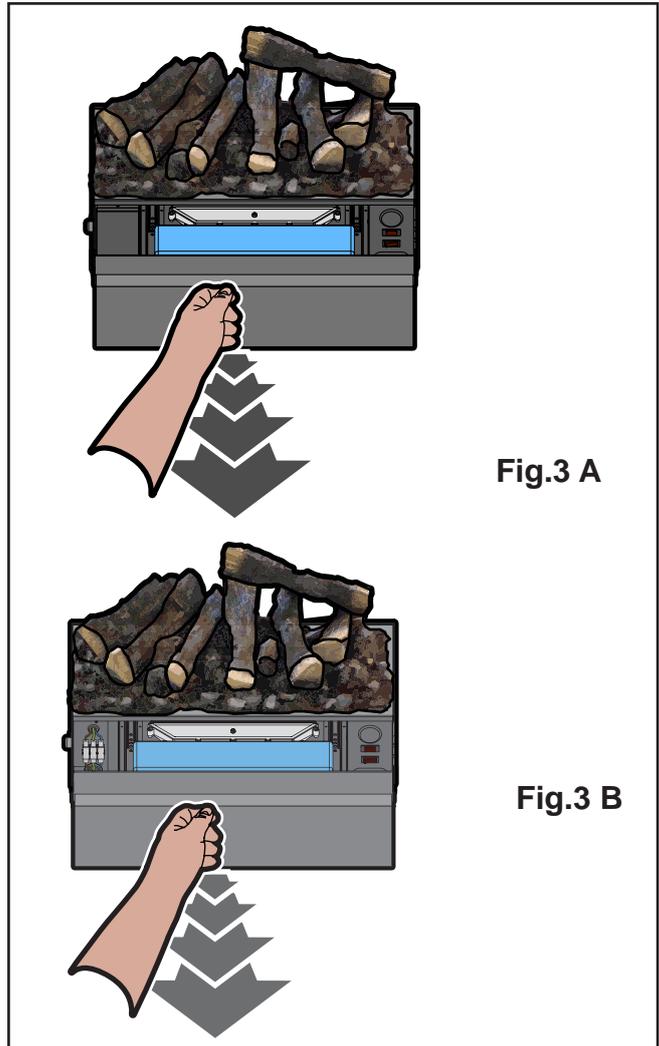
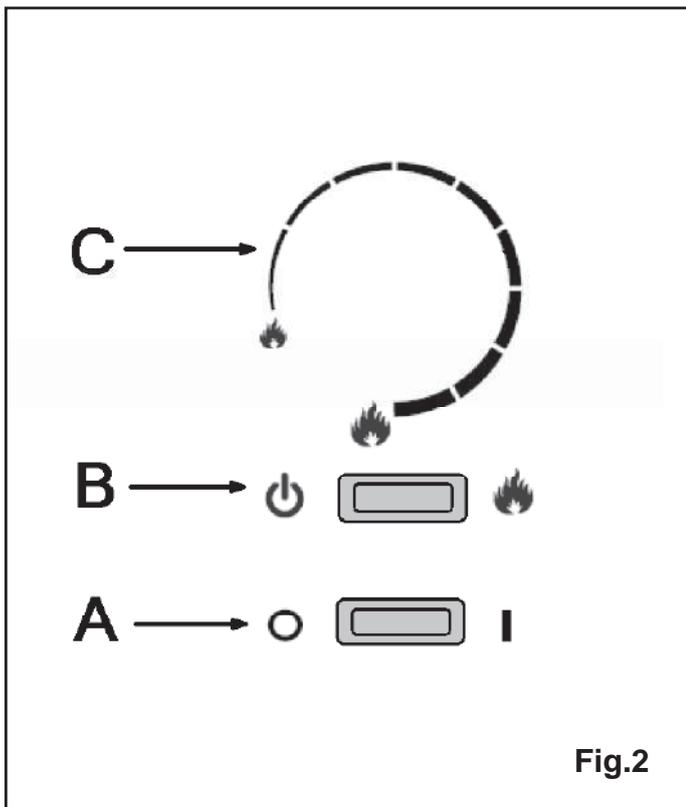
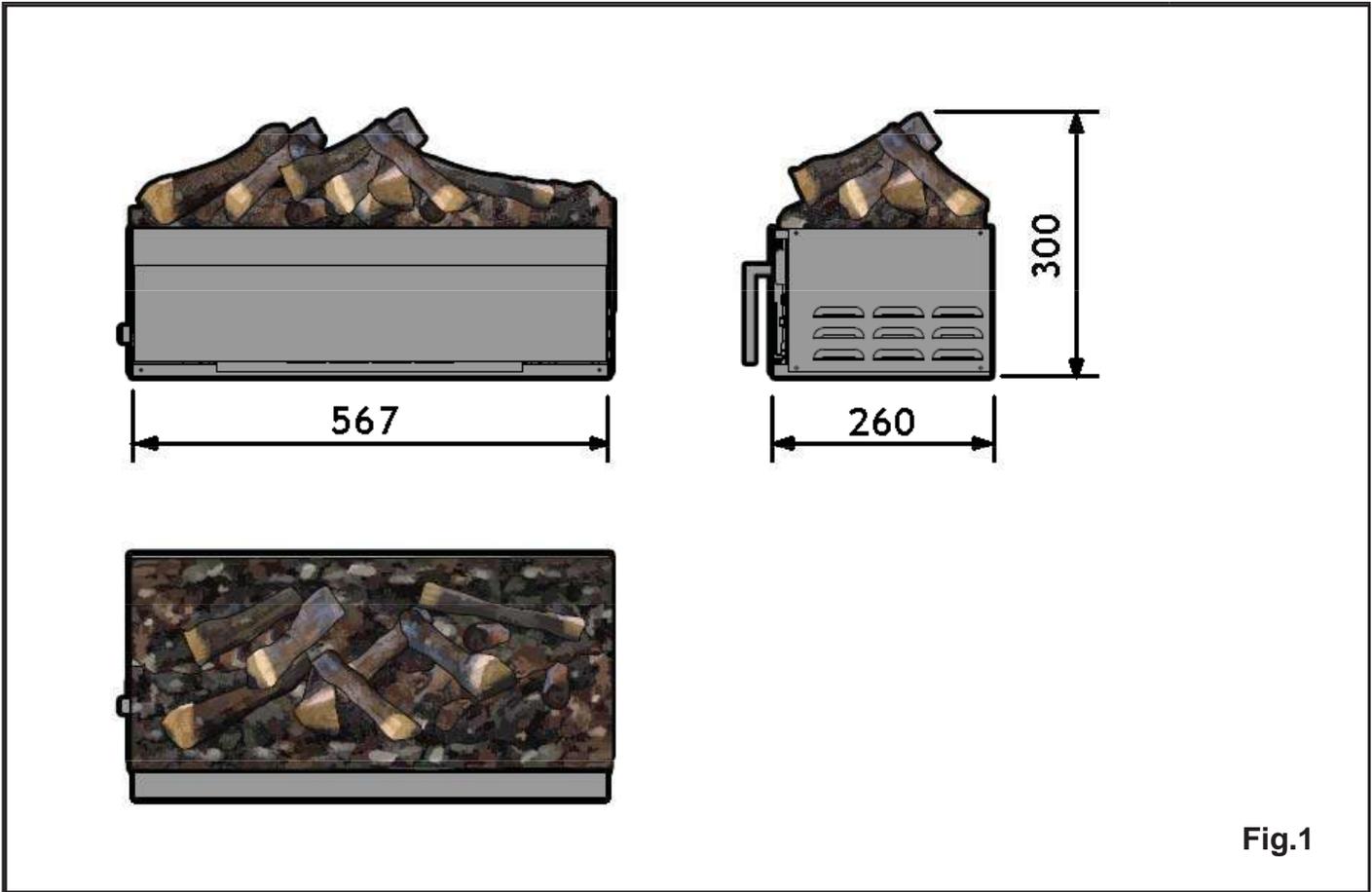




JUNEAU

GB RU TR GR



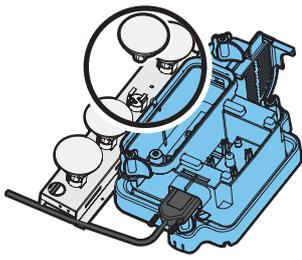


Fig.4

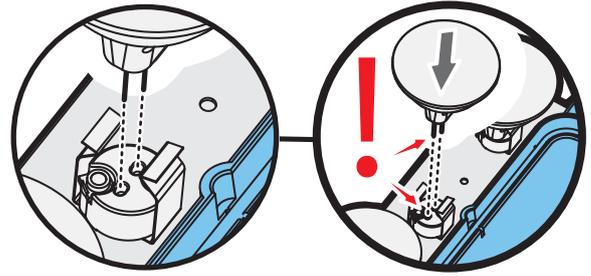


Fig.5

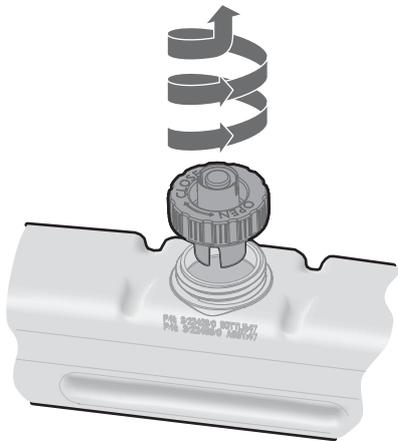


Fig.6



Fig.7

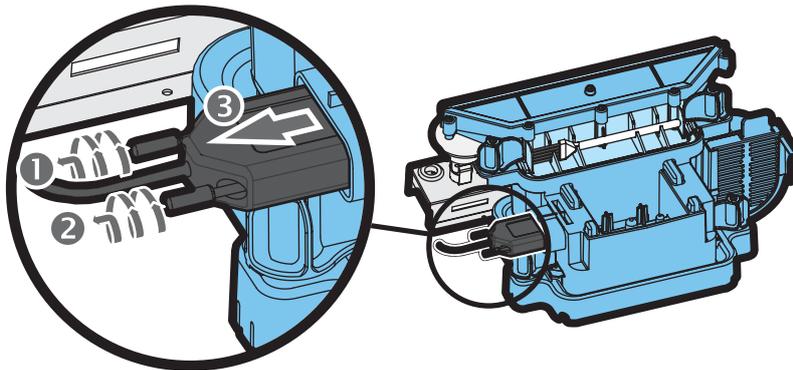


Fig.8

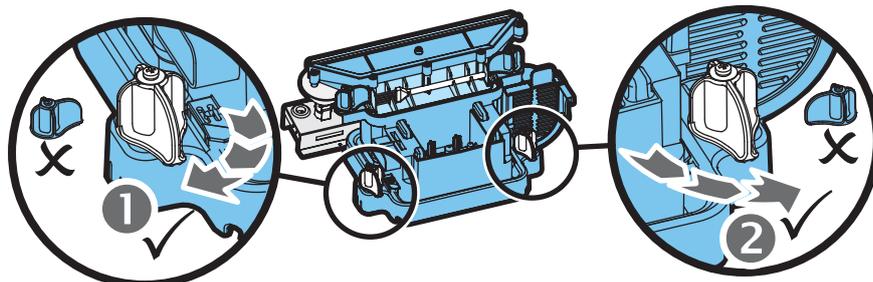


Fig.9

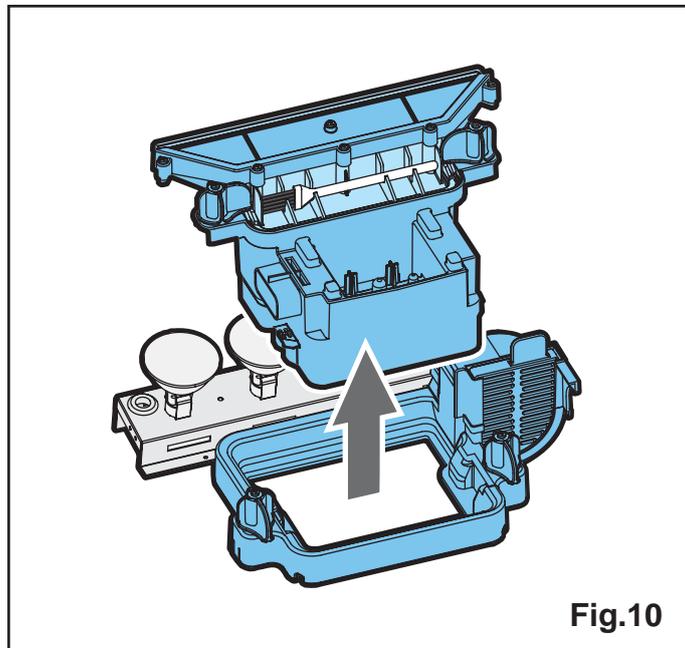


Fig.10

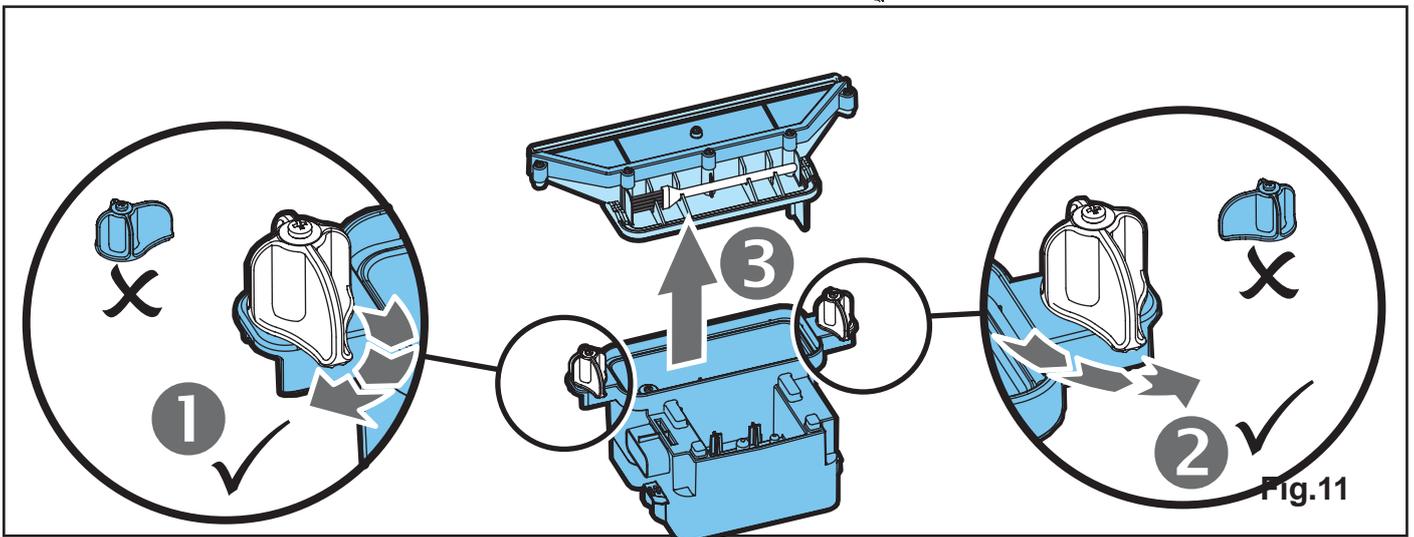


Fig.11

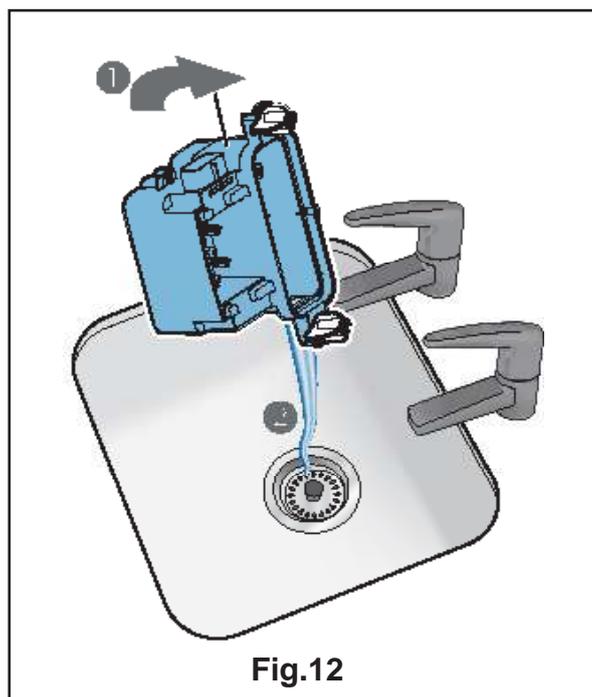


Fig.12

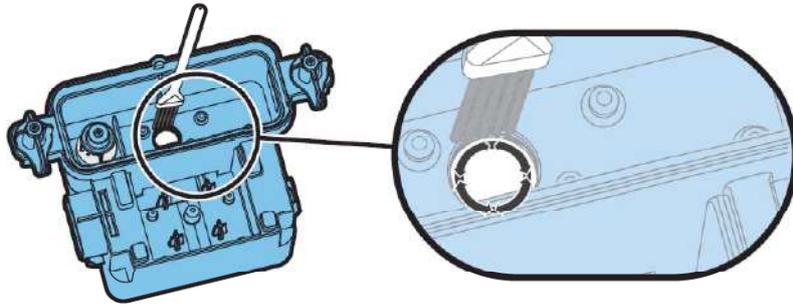


Fig.13

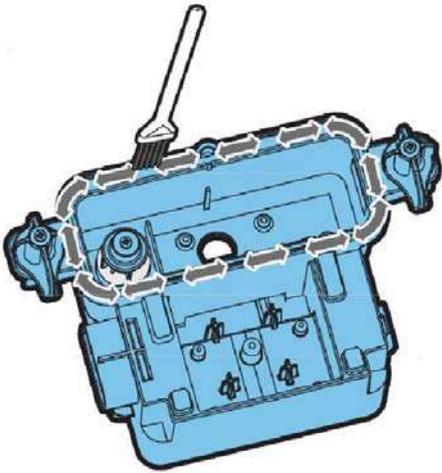


Fig.14

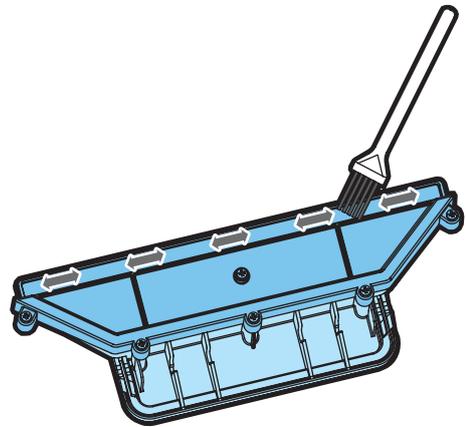


Fig.15

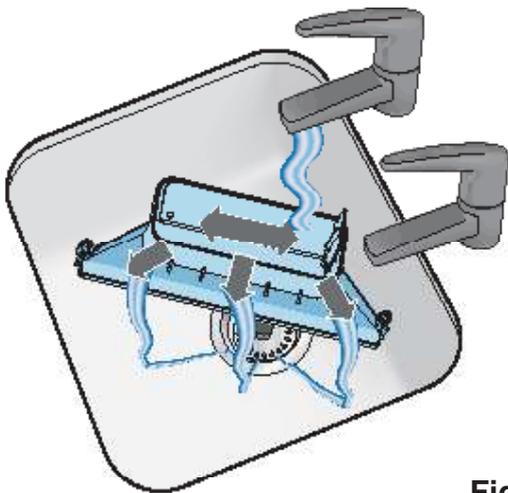


Fig.16

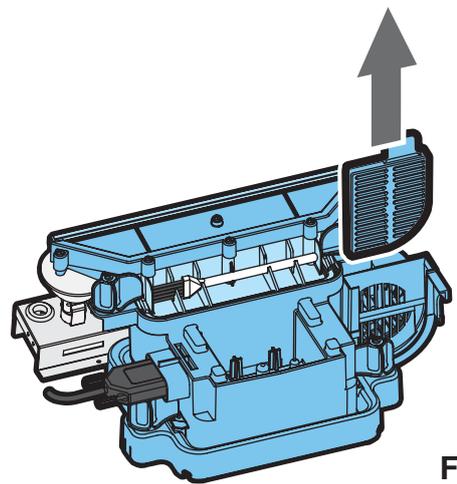


Fig.17

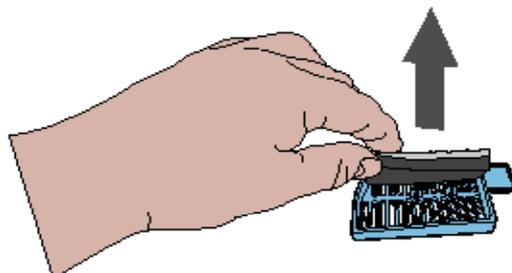


Fig.18

| | |
|----------|---|
| GB | 1 |
| RU | 3 |
| TY | 5 |
| GK | 7 |

IMPORTANT: THESE INSTRUCTIONS SHOULD BE READ CAREFULLY AND RETAINED FOR FUTURE REFERENCE**Important Safety Advice:**

When using electrical appliances, basic precautions should always be followed to reduce the risk of fire, electrical shock and injury to persons, including the following:

If the appliance is damaged, check with the supplier before installation and operation.

Do not use outdoors.

Do not use in the immediate surroundings of a bath, shower or swimming pool.

Do not locate the fire immediately below a fixed socket outlet or connection box.

This appliance is not intended for use by children or other persons without assistance or supervision if their physical, sensory or mental capabilities prevent them from using it safely. Children should be supervised to ensure that they do not play with the appliance.

Do not use this fire in series with a thermal control, a program controller, a timer or any other device that switches on the heat automatically, since a fire risk exists when the fire is accidentally covered or displaced.

Ensure that furniture, curtains or other combustible material are positioned no closer than 1 metre from the fire.

In the event of a fault unplug the fire.

Unplug the fire when not required for long periods.

Although this fire complies with safety standards, we do not recommend its use on deep pile carpets or on long hair type of rugs.

The appliance must be positioned so that the plug is accessible.

If the supply cord is damaged it must be replaced by the manufacturer or service agent or a similarly qualified person in order to avoid a hazard.

Keep the supply cord away from the front of the fire.

WARNING: In order to avoid overheating, do not cover the fire. Do not place material or garments on the fire, or obstruct the air circulation around the fire.



The fire carries the Warning symbol indicating that it must not be covered.

General.

Unpack the fire carefully and retain the packaging for possible future use, in the event of moving or returning the fire to your supplier. The Remote Control and batteries are packed separately in the carton.

The fire incorporates a flame effect, which can be used with or without heating, so that the comforting effect may be enjoyed at any time of the year. Using the flame effect on its own only requires little electricity.

This model is designed to be installed in a surround or into a wall recess.

Before connecting the fire check that the supply voltage is the same as that stated on the fire.

Please note: Used in an environment where background noise is very low, it may be possible to hear a sound which is related to the operation of the flame effect. This is normal and should not be a cause for concern.

Electrical connection.

WARNING – THIS APPLIANCE MUST BE EARTHED.

This fire must be used on an AC ~ supply only and the voltage marked on the fire must correspond to the supply voltage.

Before switching on, please read the safety warnings and operating instructions.

PLEASE RETAIN THIS USER'S GUIDE FOR FUTURE REFERENCE

Do not put plastic components into a dishwasher.

Only slide out the drawer when the water tank needs to be filled or a lamp needs to be changed otherwise you will inadvertently alter the water level and the flame effect operation.

Only use tap water in this appliance with a maximum hardness of 10 dH.

Always ensure that the fire is sitting on a level floor.

If you intend not using the appliance for longer than 2 weeks, drain the water from sump and water tank and dry the sump.

Once installed, never move this fire or lay on its back, without draining the water from sump and water tank.

The water tank, sump, sump lid, tank cap and air filters must be cleaned once every two weeks, particularly in hard water areas.

The fire appliance should never be operated if the lamps are not working.

The lamps should be regularly inspected as described under 'Maintenance' and 'Changing lamps'.

Installation Instructions

Ensure that all packing items are removed (read any warning labels carefully).

Retain all packing for possible future use, in the event of moving or returning the appliance to your supplier.

To reduce heat losses and to prevent any chimney updraught affecting the operation of your fire we recommend that the chimney flue is blocked off, ensure that there is a slight gap for ventilation.

To install the appliance;

Hold the fire by the sides and gently manoeuvre into position. Plug the fire into a 13amp/240 volt outlet. Ensure that the supply cable exits at the front of the fire, at the right or left hand corner to suit your supply socket location and is not trapped under the fire such that it might cause it to be damaged.

Before switching on the appliance, please read the following instructions.

Before using the manual controls firstly fill the water tank (See 'Maintenance', 'Filling the water tank').

Manual Controls.

The manual controls are located behind the drawer.

(See Fig.2 for Manual Control lay out)

Switch 'A': Controls the electricity supply to the fire.

Note: This switch must be in the 'ON' (I) position for the fire to operate with or without heat.

Switch 'B': Controls the function of the fire.

Press  once to turn on flame effect. This will be indicated by one beep.

Although the main lights operate immediately it will take a further 30 seconds before the flame effect starts.

Press  to put fire in to standby mode.

This will be indicated by one beep.

Control Knob 'C': Controls the intensity of the flame effect.

Turning the control knob clockwise increases the flame effect, turning the control knob anti-clockwise will decrease the flame effect.

When the water tank is empty the main lamps go out. See instructions under 'Maintenance', 'Filling the water tank.' When this procedure is complete, the main lamps will illuminate but it will take 30 seconds before the flames return.

Remote Control Operation

On the control panel, Switch A (see Fig.2) must be in the 'ON' (I) position in order for the remote control to operate. There are 3 buttons on the remote control. (See Fig.7)

To operate correctly the remote must be pointed towards the front fuel effect.

The remote control functions are as follows:



Press once to turn on Flame effect only.
This will be indicated by one beep.



Standby
This will be indicated by one beep.

Battery Information.

1. Unclip the battery cover on the back of the remote control. (See Fig.7)

2. Install AAA batteries into the remote control.

3. Replace the battery cover.

Discard leaky batteries.

Dispose of batteries in the proper manner according to provincial and local regulations.

Any battery may leak electrolyte if mixed with a different battery type, if inserted incorrectly, if all the batteries are not replaced at the same time, if disposed of in a fire, or if an attempt is made to charge a battery not intended to be recharged.

Thermal safety cut-out

A thermal safety cut-out is incorporated in the fan heater to prevent damage due to overheating. This can happen if the heat outlet is restricted in any way. If the cut-out operates, unplug the fire from the socket outlet and allow approximately 10 minutes before reconnecting. Before switching the fire back on remove any obstruction that may be restricting the heat outlet, then continue normal operation.

Tips for using your appliance.

1. Only pull out the drawer when its time to refill the water tank or change a lamp, otherwise it may lead to excess water in the sump and reduced flame effect. If this happens empty the water from the sump as instructed under 'Maintenance'.

2. With the flame setting on minimum the unit will use approximately 40ml of water per hour and will last 3 times as long than when it is at maximum flame setting.

3. Do not tilt or move the fire while there is water in the tank or sump.

4. Make sure that the fire is on a level floor.

5. The flame control knob 'C' (Fig.2) may be turned up or down to give a more realistic effect.

6. Sometimes the flames appear more real when the flame control knob is turned down.

7. Give the flame generator some time to react to changes you may make on the flame control knob.

Maintenance

WARNING: ALWAYS DISCONNECT FROM THE POWER SUPPLY BEFORE ATTEMPTING ANY MAINTENANCE

Fitting Replacement Lamps.

If a large amount of the smoke appears grey or colourless it may be that one or more lamps have failed.

You can check for lamp failure as follows.

1. Leaving the flame effect on, open the drawers fully, gently pull the drawer fully out by the tab. (See Fig.3)

2. View the lamps from a distance in front of the fire and observe which lamp needs to be changed.

3. Put Switch 'A' in the 'OFF' position, and unplug the fire from the mains.

4. Leave the appliance for 20 minutes to allow the lamps to cool down before removing them.

5. Remove the water tank by lifting upwards and place in a sink.

6. Remove the sump as described in the Cleaning Section.

7. Remove the defective lamp, by gently lifting vertically and disengaging the pins from the lamp holder, (See Fig. 4 and 5). Replace with a Dimplex Opti-myst, 12V, 50W, Gu5.3 base, 8° beam angle, coloured lamp. (Purchased from www.dimplex.co.uk under the section 'After Sales Service', details of how to purchase the lamps are contained therein.)

8. Carefully insert the two pins of the new lamp into the two holes in the lamp holder. Push firmly in place. (See Fig.4 and 5).

9. Replace the sump and water tank and carefully close the drawer.

10. Switch on.

Filling the water tank.

- When the water tank is empty, flame and smoke effect shuts off, and you will hear 2 audible 'beeps'. Follow these steps to refill:
1. Press Switch 'A' to (0). (See Fig.2)
 2. Pull out the drawer as far as possible by the tab. (See Fig.3)
 3. Remove the water tank by lifting upwards and outwards.
 4. Place the water tank in sink and remove cap, Anti-clockwise to open. (See Fig.6)
 5. Fill tank with **filtered tap water**. This is necessary to prolong the life of the flame and smoke producing unit. **Do not use a decalcifier.**
 6. Screw the cap back on, **do not overtighten.**
 7. Return the tank to the sump, with the tank cap facing down and the flat side of the tank facing outward.
 8. Press Switch 'B' once to turn on flame effect. (See manual control section and Fig.2).
 9. Press Switch 'A' to 'ON' (1) position. (See Fig.2)
 10. Gently push the drawer back in as far as it will go.

Cleaning.

WARNING – ALWAYS DISCONNECT FROM THE POWER SUPPLY BEFORE CLEANING THE FIRE.

We recommend cleaning the following components once every 2 weeks, particularly in hard water areas:-

Water Tank, Sump and Seal, Sump lid, Tank cap and seal, Air filter.

For general cleaning use a soft clean duster – never use abrasive cleaners. To remove any accumulation of dust or fluff the soft brush attachment of a vacuum cleaner should occasionally be used to clean the outlet grille of the fan fire.

Water tank

1. Remove water tank, as described earlier, put into sink and empty water.
2. Using the supplied brush gently rub the inside surfaces of the cap paying particular attention to the rubber ring in the outer groove and the centre rubber seal.
3. Put a small quantity of washing up liquid into the tank, refit the cap and shake well, rinse out until all traces of washing up liquid are gone.
4. Refill with tap water with a maximum hardness of 10 dH only, replace the cap, do not overtighten.
5. Do not use a decalcifier when cleaning the appliance, this may shorten the lifetime of the smoke unit.

Sump

1. Press Switch 'A' to the 'OFF' (0) position
2. Gently pull the drawer out as far as possible. (See Fig.3)
3. Remove the water tank by lifting upwards.
4. Disconnect the electrical connector, located on the left side of the sump, by first loosening the two retaining screws and gently withdrawing the connector. (See Fig.8)
5. Release the lower sump locking tabs by turning 90°, this allows the sump to be lifted completely from its location. (See Fig.9)
6. Gently lift up the sump assembly, taking care to keep level so as not to spill any water. Sit the assembly in the sink. (See Fig.10)
7. Release the two upper sump locking tabs by turning 90°, then lift off the sump lid. (See Fig.11)
8. Carefully tilt, as shown, so that the liquid drains out of the sump. (See Fig.12)
9. Put a small amount of washing up liquid into the sump, and using the supplied brush, gently clean all surfaces including the metal disc and the rubber seal located in the top grooved surface. **Do not remove the rubber seals.** (See Fig.13 and 14)
10. When cleaned, thoroughly rinse the sump with clean water.
11. Clean the outlet surface of the sump lid with the brush and flush out thoroughly with water. (See Fig.15 & 16)
12. Reverse the above steps to reassemble.

Air filter.

1. Gently pull the drawer out as far as possible. (See Fig.3).
2. Press Switch 'A' to the 'OFF' (0) position (See Fig.2)
3. Remove the tank and place in a sink with the cap facing upwards.
4. Gently slide upwards the air filter plastic holder. (See Fig.17)
5. Remove the filter combination from the plastic holder.
6. Gently rinse with water in the sink and dry with fabric towel before returning.
7. Replace the filter combination making sure that the coarse black filter is in contact with the plastic holder. (See Fig.18)
8. Replace the tank.
9. Press Switch 'A' to the 'ON' (1) position (See Fig.2).
10. Close the drawer fully.

Recycling.

 For electrical products sold within the European Community. At the end of the electrical products useful life it should not be disposed of with household waste. Please recycle where facilities exist. Check with your Local Authority or retailer for recycling advice in your country.

After Sales Service

Should you require after sales service, please get in touch with the supplier through whom you purchased the appliance.

| Troubleshooting | | |
|--|---|--|
| Symptom | Cause | Corrective Action |
| The flame effect will not start. | Mains plug is not plugged in. Switch A is in the 'ON' (1) position, but mode Switch B has not been pressed. (See Fig.2) Low water level. Low voltage connector not connected properly. (See Fig.8) | Check plug is connected to wall socket correctly. Press Switch B once for flame effect. (See Fig.2) Check the water tank is full and there is water in the sump. Check that the connector is inserted correctly. (See Fig.8) |
| The flame effect is too low. | Flame effect control knob is set too low. (See Fig.2) The water in the sump may be too high due to the drawer being opened and closed a number of times, water tank removed a number of times, or the fire has been moved. Metal Disc at the base of Sump might be dirty (See Fig.13) | Increase level of flame by turning Control knob C to the left slowly. (See Fig.2) If water level in the sump is more than 40mm, the sump should be removed and emptied in the sink. Clean Metal Disc with soft brush supplied. (See Fig.13) See 'Maintenance.' for a step by step procedure. |
| Unpleasant smell when unit is used. | Dirty or stale water. Using unfiltered tap water. | Clean the unit as described under maintenance. Use tap water with a maximum hardness of 10 dH only. |
| The flame effect has too much smoke. | Flame effect setting is too high. | Turn the flame effect Control knob C to the right until it is at minimum and slowly turn to the left, about ¼ a turn, at a time. Give the flame generator some time to adjust before increasing. (See Fig.2) |
| Main lamps are not working and there are no flames or smoke. | There is no water in the tank. | Follow instructions under Maintenance , 'Filling the water tank'. Check the plug is connected to wall socket correctly. Switch 'A' Fig. 2 is in the 'ON' (1) position. Press switch 'B' Fig.2 until you can hear one beep only, for flame effect. |

Opti-myst is a trade mark of GDC Group Ltd.

This product is protected by one or more of the following patents: PCT/ EP2005/009774, PCT/ EP2007/002207, GB0717773.6, GB0717772.8, GB0717770.2, GB0809322.1. The design of this product is protected by EU Design Rights

[c]A Division of GDC

All rights reserved. Material contained in this publication may not be reproduced in whole or in part, without prior permission in writing of GDC.

ВНИМАНИЕ: ТЩАТЕЛЬНО ИЗУЧИТЕ ИНСТРУКЦИЮ И СОХРАНИТЕ ЕЕ НА БУДУЩЕЕ**Советы по безопасности:**

При использовании электрического оборудования во избежание пожара, удара электрическим током и других травм необходимо соблюдать основные меры предосторожности, а именно:

Проверить дееспособность оборудования перед установкой и включением.

Не использовать вне помещений.

Не использовать в ванной, душе или бассейне.

Не устанавливать камин непосредственно под вытяжным отверстием или соединительным боксом.

Это устройство не предназначено для использования детьми или лицами, требующими присмотра за их физической, сенсорной или умственной способностью.

Не допускайте детей играть с камином.

Не использовать этот камин вместе с контроллером огня, температуры или времени, так как существует риск возгорания.

Обеспечьте, чтобы мебель, занавески и другие легко воспламеняющиеся предметы находились не ближе 1 метра от камина.

В случае чего отключайте камин.

Отключайте камин при длительном неиспользовании.

Хотя камин отвечает стандартам безопасности, мы не рекомендуем его использовать на коврах или паласах.

Размещать камин нужно так, чтобы вилка была легко доступна.

При повреждении сетевого шнура он должен быть заменен изготовителем, либо в его сервисе, либо квалифицированным специалистом.

Не располагайте шнур впереди камина.

ПРЕДУПРЕЖДЕНИЕ: Ничем не накрывайте камин. Не мешайте циркуляции воздуха.

 На камине есть предупредительный знак не покрывать.

Общие указания.

Распакуйте камин осторожно и оставьте упаковку для возможного будущего использования, - перемещения или возвращения. Пуль дистанционного управления (ПДУ) и батарейки к нему запакованы отдельно.

Камин оснащен эффектом пламени, который может сопровождаться или не сопровождаться нагревом, что позволяет воспользоваться комфортной температурой в любое время года. Использование эффекта пламени требует немного энергии. Эта модель предназначена для установки открыто или в стеновой нише. Перед подключением камина проверьте, что напряжение сети соответствует прибору. Запомните: в обстановке отсутствия окружающего шума камин может издавать звуки пламени. Это нормально

Электрическое подключение.**ВНИМАНИЕ – ПРИБОР ДОЛЖЕН БЫТЬ ЗАЗЕМЛЕН.**

Этот камин питается от сети переменного тока – напряжение питания должно соответствовать установленному для камина.

Перед включением прочитайте инструкцию по безопасности и работе.

СОХРАНИТЕ ЭТУ ИНСТРУКЦИЮ

Не помещайте пластиковые детали в посудомойку.

Если надо наполнить резервуар или поменять лампочку – просто вытащите золотник, иначе вы неосторожно измените уровень воды и функцию пламени.

Использовать воду с максимальной жесткостью 10 dH.

Камин должен всегда стоять на ровной поверхности.

Если вы планируете не использовать камин в течение 2 недель, - слейте воду из резервуара и отстойника.

После установки не перемещайте камин и не опрокидывайте его без выпуска воды из резервуара и отстойника.

Резервуар, отстойник, крышка отстойника, крышка резервуара и воздушные фильтры необходимо чистить раз в 2 недели, особенно в регионах с жесткой водой.

При неработающих лампочках эффект пламени не работает.

Лампочки регулярно проверять по инструкции 'Обслуживание' и 'Замена лампочек'.

Тщательно удалите упаковку (прочитайте внимательно все предупреждения).

Сохраняйте упаковку для возможного будущего использования.

Упаковку оставьте на будущее для возможного перемещения или возврата продавцу.

Для уменьшения потерь тепла мы рекомендуем прикрывать дымоход, оставшая небольшая отверстие для вентиляции.

Установка

Аккуратно установите камин. Подключите его к розетке 13A/240В. Проложите шнур питания безопасно от огня и возможного механического воздействия.

Перед подключением прочитайте следующую инструкцию.

Перед использованием органов управления вначале заполните резервуар (См. 'Обслуживание', 'Заполнение резервуара').

Органы управления.

Органы управления помещаются позади золотника.

(См. Fig.2)

Кнопка 'A': включение питания.

Помните: эта кнопка должна быть в положении (I) для включения камина с подогревом или без него.

Переключатель 'B': управляет функциями камина.

Одним нажатием  включается пламя. Один звонок.

Загорается!! индикатор питания, а эффект включается через 30 секунд.

Нажатие  переключает камин в режим ожидания.

Один звонок.

Ручка 'C': Интенсивность эффекта пламени.

Поворот ручки по часовой стрелке увеличивает эффект пламени, и наоборот, поворот против часовой стрелки – уменьшает эффект.

Когда резервуар пуст лампочка питания гаснет. См. инструкции 'Обслуживание', 'Заполнение резервуара'. После окончания этих процедур лампочка питания загорится, но эффект пламени вернется спустя 30 секунд.

Управление с пульта дистанционного контроля (ПДУ)

Кнопка A (см. Fig.2) на панели управления должна быть в положении включено (I). На ПДУ есть 3 кнопки. (См. Fig.7)

Для управления, ПДУ надо направлять на камин.

ПДУ управляет следующим:



Однократное нажатие включает только эффект пламени. Подтверждается одним звонком.



Ожидание Это подтверждается одним звонком.

Информация о батарейках.

1. Отщелкните крышку батарейного отсека ПДУ. (См. Fig.7)

2. Вставьте батарейки размера AAA в ПДУ.

3. Закройте отсек крышкой.

Уберите старые батарейки.

Обращайтесь с ними в соответствии с местным законодательством.

Батарейки могут потечь, если смешаны разные типы, если неправильно вставлены, если заменяются не в одно время, если подверглись воздействию пламени, либо при попытке их перезарядить.

Температурная безопасность

Температурный предохранитель предохраняет от перегрева. Это может случиться, если выпускное отверстие чем-то забито. Если это случилось – отключите камин от сети и дайте ему остыть минимум 10 минут перед повторным включением. Перед этим уберите забивку выходного отверстия, и продолжите нормальную работу камина.

Советы по использованию камина.

1. Если пришло время дополнить резервуар или сменить лампочку – просто выдвиньте золотник, иначе в отстойнике может оказаться лишняя вода, а эффект пламени пригаснуть. Если это случилось – слейте воду из отстойника как описано в инструкции по обслуживанию.

2. При минимальном эффекте пламени камин потребляет примерно 40 мл воды в час и работает в 3 раза дольше, чем при максимальном эффекте.

3. Не наклоняйте и не перемещайте камин, если в резервуаре или отстойнике есть вода.

4. Камин должен стоять на ровном полу.

5. Ручка 'C' (Fig.2) регулирует реалистичность эффекта.

6. Иногда при малом положении ручки эффект кажется более реалистичным.

7. Регулируя эффект, дайте прибору время отреагировать.

Обслуживание**ПРЕДУПРЕЖДЕНИЕ: ПЕРЕД ЛЮБЫМ ОБСЛУЖИВАНИЕМ ОТКЛЮЧИТЕ КАМИН ОТ СЕТИ****Установка запасных лампочек.**

Появление большого количества серого или бесцветного дыма может свидетельствовать о том, что одна или несколько лампочек вышли из строя.

Проверить лампочки можно следующим образом.

1. Оставив эффект пламени откройте золотник. (См. Fig.3)

2. Осмотрите лампочки и найдите те, что нуждаются в замене.

3. Выключатель 'A' выключить и отключить камин от сети.

4. Дайте 20 минут лампочкам остыть.

5. Снимите резервуар вверх.

6. Снимите отстойник как описано в главе Очистка.

7. Аккуратно снимите лампу вверх (См. Fig. 4 и 5). Замените лампой Dimplex Opti-myst, 12V, 50W, G5.3 base, 8° beam angle, coloured lamp. (Поставщик www.dimplex.co.uk раздел 'After Sales Service', детали поставки там.)

8. Аккуратно вставьте лампу. Вдавите. (См. Fig.4 и 5).

9. Вставьте отстойник и резервуар и аккуратно закройте золотник.

10. Включите камин.

Заполнение резервуара.

При опустевшем резервуаре эффект пламени и дыма прекращается и раздается 2 звоночка.

Заполните резервуар следующим образом:

1. Выключатель 'А' в положение (0). (См. Fig.2)
2. Выдвиньте золотник до отказа. (См. Fig.3)
3. Снимите резервуар вверх и наружу.
4. Поместите резервуар в раковину и снимите колпачок (открывается против часовой стрелки). (См. Fig.6)
5. Заполните резервуар водопроводной водой **жесткостью не более 10 dH**. Это необходимо для долгого срока службы генератора пламени и дыма. **Не пользоваться удалителями накипи.**
6. Завинтите колпачок, **не перекутите.**
7. Вставьте обратно резервуар крышкой вниз, а плоской стороной наружу.
8. Один раз нажмите кнопку 'В' для появления эффекта пламени. (См. Инструкцию управления и Fig.2).
9. Выключатель 'А' в положение (1) (См. Fig.2)
10. Аккуратно вдвиньте золотник.

Очистка

ПРЕДУПРЕЖДЕНИЕ – ПЕРЕД ОЧИСТКОЙ КАМИНА ВСЕГДА ОТКЛЮЧАЙТЕ ЕГО ОТ СЕТИ.

Мы рекомендуем проводить полную очистку раз в 2 недели, особенно в регионах с жесткой водой: резервуар, отстойник и прокладку, колпачок отстойника, колпачок резервуара и прокладку, воздушный фильтр.

Очистку нужно проводить чистой тряпочкой – никогда не пользуйтесь абразивными чистящими средствами. Иногда для очистки от пыли и пуха выходной решетки вентилятора можно воспользоваться волосной насадкой пылесоса.

Резервуар

1. Снимите резервуар, как это описано выше, поместите в раковину и слейте воду.
2. Пользуясь щеткой из комплекта, осторожно очистите внутреннюю поверхность, обратив особое внимание на резиновый уплотнитель во внешней канавке и на центральный уплотнитель.
3. Залейте в резервуар немного моющей жидкости, закройте крышкой и хорошо потрясите, затем хорошо ополосните водой из-под крана.
4. Заполните водопроводной водой жесткостью не более 10°, закройте крышкой, не перетяните ее.
5. Не пользуйтесь удалителями накипи, это сокращает срок службы дымохода.

Отстойник

1. Переключатель 'А' в положение (0)
2. Осторожно выдвинуть золотник до отказа. (См Fig.3)
3. Снимите резервуар вверх.
4. Отключите электрический разъем слева, сначала открыв два фиксирующих винта (См. Fig.8)
5. Поворотом на 90° освободите фиксирующие ушки (См. Fig.9)
6. Осторожно, стараясь не вылить содержимое, снимите отстойник вверх и поместите отстойник в раковину. (См. Fig.10)
7. Повернув на 90° фиксирующие ушки, снимите крышку. (См. Fig.11)
8. Слейте отстой в раковину. (См. Fig.12)
9. Налейте немного моющей жидкости и с помощью щетки из комплекта осторожно прочистите все поверхности, включая металлические диски и резиновый уплотнитель в верхней канавке. **Не удаляйте уплотнители.** (См Fig.13 и 14)
10. После очистки хорошенько прополощите отстойник чистой водой.
11. Очистите крышку отстойника и прополощите чистой водой (См. Fig.15 и 16)
12. Сборка отстойника в обратном порядке.

Воздушный фильтр.

1. Осторожно выдвинуть золотник до отказа. (См. Fig.3).
2. Переключатель 'А' в положение (0) (См. Fig.2)
3. Снимите резервуар и поместите его в раковину колпачком вверх.
4. Осторожно снимите вверх пластиковый держатель. (См. Fig.17)
5. Выньте фильтр из держателя.
6. Промойте фильтр проточной водой и осушите полотенцем.
7. Вставьте фильтр в держатель так, чтобы черный слой не контактировал с держателем. (См. Fig.18)
8. Установите резервуар на место.
9. переключатель 'А' в положение (1) (См. Fig.2).
10. Задвиньте золотник.

Утилизация.



Для электрических изделий на территории Европейского Союза. Электрические изделия не должны выбрасываться с домашним мусором. Сдавайте в отведенных для этого местах. Справьтесь в местных органах власти или у продавца.

Послепродажное обслуживание

Если вы нуждаетесь в послепродажном обслуживании, обратитесь к продавцу, у которого вы приобрели камин.

| Устранение неисправностей | | |
|---|---|--|
| Симптом | Причина | Необходимые действия |
| Эффект пламени не возникает | Вилка не включена в розетку. Переключатель А в положении (I), но переключатель режимов В не нажат. (См. Fig.2) Низкий уровень воды. Электрический разъем низкого напряжения неправильно подключен. (См. Fig.8) | Проверьте подключение вилки к розетке. Один раз нажмите переключатель В (См. Fig.2) Проверьте наличие воды в резервуаре и отстойнике. Проверьте правильность подключения разъема. (См. Fig.8) |
| Эффект пламени слаб | Ручка регулировки эффекта слишком закручена. (См. Fig.2) Слишком много воды в отстойнике из-за того, что золотник несколько раз выдвигался и вдвигался, резервуар снимался несколько раз, либо камин передвигался. Металлический диск в основании отстойника загрязнился (См. Fig.13) | Ручкой С подрегулируйте эффект. (См. Fig.2) Если уровень воды в отстойнике выше 40 мм, отстойник необходимо вынуть, а воду слить в раковину. Очистите металлический диск щеткой из комплекта. (См. Fig.13) Подробно смотрите «Обслуживание». |
| При работе камина исходит неприятный запах | Грязная или застоявшаяся вода. Нефильтрованная водопроводная вода. | Очистить камин как рассказано в разделе про обслуживание. Использовать воду жесткостью не выше 10 dH. |
| Эффект пламени выделяет слишком много дыма. | Установлен слишком высокий уровень эффекта пламени. | Повернуть ручку С на минимум и затем вращать обратно по ¼ оборота. Дайте время генератору пламени отреагировать. (См. Fig.2) |
| Лампы не работают, нет пламени или дыма. | Нет воды в резервуаре. | По инструкции раздела Обслуживание заполните резервуар. Проверьте включение вилки в розетку. Переключатель 'А' Fig. 2 в положение (1). Нажимайте переключатель 'В' Fig.2 до одинарного звоночка. |

Opti-myst является торговой маркой GDC Group Ltd.

Изделие защищено патентами: PCT/ EP2005/009774, PCT/ EP2007/002207, GB0717773.6, GB0717772.8, GB0717770.2, GB0809322.1.

Конструкция защищена EU Design Rights

© Подразделение GDC

Все права защищены. Материалы, содержащиеся в этой публикации, не могут воспроизводиться полностью или частично без письменного разрешения GDC.

ÖNEMLİ: BU TALİMATLAR DİKKATLİ BİR ŞEKİLDE OKUNMALI VE İLERİDE BAŞVURU KAYNAĞI OLARAK KULLANILMAK ÜZERE SAKLANMALIDIRLAR.**Önemli Güvenlik Tavsiyesi:**

Elektrikli cihazları kullanırken, aşağıdakiler dahil yangın riski, elektrik şoku ve bireysel yaralanmaları azaltmak için daima temel önlemler alınmalıdır:
Eğer cihaz bozulmuşsa, kurulumu yapmadan ve çalıştırmadan önce tedarikçi ile kontrol ediniz:
Açık havada kullanmayınız.
Bir banyonun, duşun ya da yüzme havuzunun yakın çevresinde kullanmayınız.
Isıtıcıyı sabit bir priz çıkışı ya da bağlantı kutusunun hemen altına yerleştirmeyiniz.
Eğer çocukların ya da diğer kişilerin fiziksel, duyuşsal ya da ruhsal yeterlilikleri güvenli bir şekilde kullanılmalarını engelliyorsa, bu cihazı yardım almadan ya da gözetim altında değilken kullanmaları uygun değildir. Çocuklar cihaz ile oynamalarının sağlanması için gözetim altında tutulmalıdır.
Isıtıcının kazara üzeri kapatılırsa ya da bulunduğu yerden kaldırılırsa bir yangın riski oluşacağından, otomatik olarak ısıyı açan bir termal kontrole, bir program kontrolörüne, bir zamanlayıcıya ya da herhangi bir diğer cihaza sahip serilerde bu ısıtıcıyı kullanmayınız.
Mobilyalar, perdeler ya da diğer yanıcı materyallerin ısıtıcının 1 metreden daha yakınına yerleştirilmemesini sağlayınız.
Bir hata durumunda ısıtıcının fişini çekiniz.
Uzun süreler için gerekli değilse ısıtıcının fişini çekiniz.
Bu ısıtıcı güvenlik standartlarına uygun olmasına rağmen, uzun tüylü halılarda ya da uzun saçaklı kilimlerde kullanımını tavsiye etmiyoruz.
Cihaz fişin erişilebilir bir konumda olması sağlanarak yerleştirilmelidir.
Besleme kablosu hasar görmüşse, tehlikeli önlemek için üretici ya da servis acentası ya da benzer şekilde kalifiye bir şahıs tarafından değiştirilmelidir.
Besleme kablosunu ısıtıcının önünden uzaklaştırınız.
UYARI: Aşırı ısınmayı engellemek için, ısıtıcının üzerini kapatmayınız. Isıtıcının üzerine eşya ya da giysi koymayınız ya da ısıtıcının çevresindeki hava sirkülasyonunu engellemeyiniz.

 Isıtıcı üzerinin kapatılmaması gerektiğini belirten bir Uyarı sembolü taşır.

Genel.

Isıtıcıyı dikkatlice ambalajından çıkarınız ve gelecekte ısıtıcıyı tedarikçinize götürmenizin ya da iade etmenizin gerekebileceği olası durumlar için ambalajı saklayınız.
 Uzaktan Kumanda ve piller mukavva kutunun içinde ayrı olarak ambalajlanmıştır.
 Isıtıcı ısıtma ile ya da ısıtma olmadan kullanılacak bir ateş efektine sahiptir, böylece yılın herhangi bir döneminde konfor verici efektin keyfi sürülebilir. Ateş efektini tek başına kullanmak için az miktarda elektrik enerjisi gerekir.
 Bu model bir ortamda ya da duvar boşluğunda kurulum yapılmasını mümkün kılacak şekilde dizayn edilmiştir.
 Voltaj veren ısıtıcı kontrolünü bağlanmadan önce ısıtıcıda belirtilen açıklamaların aynı yapılacaktır. Lütfen not ediniz: Arka fon gürültüsünün çok düşük olduğu bir ortamda kullanıldığında, ateş efektinin çalışmasından doğan bir ses duymanız mümkün olabilir. Bu normaldir ve endişe duymanızı gerektirmez.

Elektrik bağlantısı.**UYARI – BU CİHAZ TOPRAKLANMALIDIR.**

Bu ısıtıcı yalnızca bir AC ~ güç kaynağı ile kullanılmalıdır ve ısıtıcıda belirtilen voltaj besleme voltajı ile uyusmalıdır.
 Cihazı açmadan önce, lütfen güvenlik uyarılarını ve çalıştırma talimatlarını okuyunuz.

LÜTFEN İLERİDE BAŞVURU KAYNAĞI OLARAK KULLANMAK ÜZERE BU KULLANIM KILAVUZUNU SAKLAYINIZ.

Plastik parçaları bir bulaşık makinesine koymayınız.

Yalnızca su deposunun doldurulması ya da bir lambanın değiştirilmesi gerektiğinde, çekmeceyi dışarıya kaydırınız aksi takdirde su seviyesini ve ateş efektinin çalışma şeklini yanlışlıkla değiştirebilirsiniz.

Bu cihazda yalnızca maksimum 10 dH oranında sertlik içeren musluk suyu kullanınız.

Daima ısıtıcının zemin seviyesinde oturtulmasını sağlayınız.

Eğer cihazı 2 haftadan daha uzun bir süre boyunca kullanmayı düşünmüyorsanız, haznedeki su deposundan suyu aktırınız ve hazneyi kurutunuz.

Kurulum yapıldığında, haznedeki su ya da deposundan su akıtmadan, asla bu ısıtıcıyı taşımayınız ya da arkasına yaslanmayınız.

Su deposu, hazne, hazne kapağı, depo kapağı ve hava filtreleri özellikle sert suya sahip bölgelerde her iki haftada bir temizlenmelidir.

Eğer lambalar çalışmıyorsa, ısıtıcı asla çalıştırılmamalıdır.

'Bakım' ve 'Değiştirilen lambalar' da açıklandığı gibi lambalar düzenli olarak kontrol edilmelidir.

Kurulum Talimatları

Tüm ambalaj malzemelerinin çıkarılmasını sağlayınız (herhangi bir uyarı etiketini dikkatli bir şekilde okuyunuz).

Isıtıcıyı tedarikçinize götürmeniz ya da iade etmeniz gerektiği hallerde, gelecekteki olası bir kullanımı için tüm ambalajı saklayınız.

Isıtıcının çalışmasını etkileyebilecek ısı kayıplarını azaltmak ve herhangi bir baca çekişini engellemek için, havalandırma için küçük bir boşluk kalmasını sağlayarak, baca deliğinin yolunu tıkamamanızı tavsiye ediyoruz.

Cihazı kurmak için

Isıtıcıyı kenarlarından tutunuz ve nazikçe yerleştiriniz. 13amp/240 voltluk bir prize ısıtıcının fişini takınız. Besleme prizi konumunuza uygun olması için besleme kablosunun ısıtıcının önünde, sağ ya da sol köşede bulunmasını ve hasar almasına yol açabileceğinden ısıtıcının altına sıkışmamasını sağlayınız. Cihazı açmadan önce, lütfen aşağıdaki talimatları okuyunuz.

Manüel kontrollerin ilk kullanımından önce, su deposunu doldurunuz ('Bakım' / Su deposunu doldurma'ya bakınız).

Manüel Kontroller.

Manüel kontroller çekmecenin arkasında yer alır.

(Manüel Kontrol yerleşimi için Şekil 2'ye bakınız)

'A' Düşmesi- Isıtıcıya verilen elektrik kaynağını kontrol eder.

Not: Isıtıcının ısı ile ya da ısı olmadan çalışması için, bu düğmenin 'AÇIK' (1) konuma getirilmesi gereklidir.

'B' Düşmesi- Isıtıcının fonksiyonunu kontrol eder.

Alev efektini açmak için bir kez  göstergesine basınız. Bu durum bir bip sesi ile gösterilecektir.

Ana şebeke ışıklarının hemen çalışmasına karşın, alev efekti başlamadan önce, bir 30 saniye daha geçecektir.

Isıtıcıyı bekleme moduna getirmek için  göstergesine basınız.

Bu durum bir bip sesi ile gösterilecektir.

'C' Kontrol Düşmesi- Alev efektinin yoğunluğunu kontrol eder.

Kontrol düşmesini saat yönünde çevirmek alev efektini artırır, kontrol düşmesini saatin tersi yönünde çevirmek alev efektini azaltır.

Su deposu boşken, ana şebeke lambaları söner. 'Bakım' / Su deposunu doldurma'da verilen talimatlara bakınız. Bu prosedür tamamlandığında, ana şebeke lambaları yanacak ancak alevler geri gelmeden önce bir 30 saniye daha geçecektir.

Uzaktan Kumandanın Çalıştırılması

Kontrol panelinde, uzaktan kumandanın çalıştırılması için A Düşmesi (Şekil 2'ye bakınız) 'AÇIK' (1) konumda olmalıdır. position in order for the remote control to operate. Uzaktan kumanda da üç tuş bulunur. (Şekil 7'ye bakınız)

Doğru bir şekilde çalışması için uzaktan kumanda ön alev efektine doğru tutulmalıdır.

Uzaktan kumanda fonksiyonları aşağıdaki şekildedir:



Yalnızca Alev efektini açmak için bir kez basınız.
Bu durum bir bip sesi ile gösterilecektir.



Bekleme modu
Bu durum bir bip sesi ile gösterilecektir.

Pil Bilgileri

- Uzaktan kumandanın arkasındaki pil kapağının klipsini açınız. (Şekil 7'ye bakınız)
- Uzaktan kumandaya AAA pillerini takınız.
- Pil kapağını tekrar takınız.

Sızıntı yapan pilleri çıkartınız.

Yerel ve bölgesel yönetmeliklere göre uygun bir şekilde pillerin atınız.

Farklı bir pil tipi ile karıştırsa, yanlış bir şekilde takılırsa, tüm piller aynı anda değiştirilmezse, ateşe maruz kalırsa ya da yeniden şarj edilmesi amaçlanmayan bir pilin şarj edilmesi için bir girişimde bulunulursa, herhangi bir pil elektrolit sızdırabilir.

Termal güvenlik kesintisi

Aşırı ısınmadan kaynaklanan hasarı önlemek için fan ısıtıcısına termal güvenlik devre kesintisi dahil edilmiştir. Bu durum ısı tertibatı herhangi bir şekilde kısıtlanırsa meydana gelebilir. Devre kesintisi devreye girdiğinde, priz tertibatından ısıtıcının fişini çıkarınız ve tekrar bağlamadan önce yaklaşık 10 dakika bekleyiniz. Isıtıcıyı tekrar açmadan önce, ısıtıcı tertibatını kısıtlayabilecek herhangi bir engeli kaldırınız, sonra normal şekilde çalıştırmaya devam ediniz.

Cihazınızı kullanmanız için ipuçları

- Yalnızca su deposunun yeniden doldurulması ya da bir lambanın değiştirilmesi zamanı geldiğinde çekmeceyi dışarı çekiniz, aksi takdirde haznedeki suya ve düşük alev efektine neden olabilir. Bu durum meydana gelirse, 'Bakım'da verilen talimatlara göre haznedeki suyu boşaltınız.
- Alev ayarının minimum düzeyde ayarlanması ile, ünite saat başı yaklaşık 40ml su kullanacaktır ve maksimum alev ayarındayken kullandığı süreden 3 kat uzun bir sürede bitecektir.
- Depoda ya da haznedeki hala su varken, ısıtıcıyı yan yatırmayınız ya da hareket ettirmeyiniz.
- Isıtıcının zemin seviyesinde olduğundan emin olunuz.
- 'C' alev kontrol düşmesi (Şekil 2) daha geçeceği bir efekt vermek için yukarı ya da aşağı çevrilebilir.
- Alev kontrol düşmesi aşağıya çevrildiğinde bazen alevler daha gerçek görünebilir.
- Alev kontrol düşmesinde yapacağınız değişiklikleri algılamak için alev jeneratörüne biraz zaman veriniz.

Bakım**UYARI: HERHANGİ BİR BAKIM UYGULAMADAN ÖNCE DAİMA GÜÇ KAYNAĞI İLE BAĞLANTIYI KESİNİZ.****Yeni Lambaların Takılması.**

Eğer büyük miktarda gri ya da renksiz duman ortaya çıkarsa, bu durum bir ya da birden fazla lambanın çalışmamasından kaynaklanıyor olabilir. Lambaların bozukluğunu aşağıdaki şekilde kontrol edebilirsiniz.

- Alev efektini açık bırakarak, çekmeceyi tamamen açınız, çekmeceyi nazikçe sekmeden tamamen ayırınız. (Şekil 3'e bakınız)
- Isıtıcının önünde belirli bir uzaklıktan lambaları seyrediniz ve hangi lambaların değiştirilmesi gerektiğini gözlemleyiniz.
- 'A' Düşmesini 'KAPALI' konuma getiriniz ve ısıtıcının fişini ana şebekeden çıkarınız.
- Lambaların çıkartılmadan önce soğumalarını sağlamak için 20 dakika boyunca cihazı bekletiniz.
- Yukarı doğru kaldırarak su deposunu çıkarınız ve bir lavaboya koyunuz.
- Temizleme Bölümünde açıklandığı gibi hazneyi çıkarınız.
- Dikely bir yönde nazikçe kaldırarak ve lamba tutacağı mandallarından ayrılarak hasarlı lambayı çıkarınız (Şekil 4 ve 5'e bakınız). Bir Dimplex Opti-myst, 12V, 50W, Gu5.3 zemin, 8° ışık açılı, renkli lamba ile değiştiriniz. (www.dimplex.co.uk adresindeki 'Satış Sonrası Hizmetler' bölümünden satın alınabilir, lambaların nasıl satın alınacağı ile ilgili detaylar bu adreste yer almaktadır).
- Yeni lambanın iki mandalını lamba tutacağındaki iki boşluğa dikkatli bir şekilde sokunuz. Yerine sıkıca oturtunuz (Şekil 4 ve 5'e bakınız).
- Hazne ve su deposunu yerleştiriniz ve çekmeceyi dikkatli bir şekilde kapatınız.
- Açınız.

Su deposunu doldurma.

Su deposu boş olduğunda, alev ve duman etkileri kapanır ve 2 işitilebilir düzeyde "bip" sesi duyacaksınız. Yeniden doldurmak için şu adımları takip ediniz:

1. (0). konuma getirmek için 'A' Düğmesine basınız (Şekil 2'ye bakınız).
2. Çekmeceyi sekmeden mümkün olduğu kadar uzağa çekiniz. (Şekil 3'e bakınız)
3. Su deposunu yukarı ve dışarı doğru kaldırarak çıkarınız.
4. Su deposunu lavaboya yerleştiriniz ve kapağı açmak için saatin tersi yönünde kaldırınız. (Şekil 6'ya bakınız)
5. **Filtrelenmiş musluk suyu** ile depoyu doldurunuz. Bu alev ve duman üretim ünitesinin ömrünü uzatmak için gereklidir. **Kireç sökücü kullanmayınız.**
6. Kapağı çevirerek geri takınız, **aşırı sıkmayınız.**
7. Depo kapağını aşağıya bakacak şekilde ve deponun düz kenarını dışarıya bakacak şekilde yerleştirerek depoyu hazneye geri koyunuz.
8. Ateş etkisini açmak için bir kez 'B' Düğmesine basınız. (Manüel kontrol bölümüne ve Şekil 2'ye bakınız).
9. 'AÇIK' (1) konuma getirmek için 'A' Düğmesine basınız (Şekil 2'ye bakınız).
10. Gittiği yere kadar nazikçe çekmeceyi mümkün olduğu kadar geriye itiniz.

Temizleme.

UYARI – Isıtıcıyı TEMİZLEMEDEN ÖNCE, DAİMA GÜÇ KAYNAĞI İLE BAĞLANTISINI KESİNİZ.

Özellikle sert suya sahip bölgelerde, aşağıdaki parçaları her iki haftada bir temizlemenizi öneriyoruz. Su Deposu, Hazne ve Conta, Hazne kapağı, Depo kapağı ve conta.

Genel temizlik için, yumuşak temiz bir toz bezi kullanınız - asla aşındırıcı temizlik maddeleri kullanmayınız. Toz ya da hav döküntüleri tortularını temizlemek için, ısıtıcı pervanesinin dış parmaklığını temizlemek için genellikle bir elektrik süpürgesinin yumuşak fırça başlığı kullanılmalıdır.

Su deposu

1. Daha önce anlatıldığı gibi su deposunu çıkarınız, lavaboya koyunuz ve suyu boşaltınız.
2. Dış kanaldaki ve orta plastik contadaki plastik halkaya özel bir dikkat göstererek, kapağın iç yüzeylerini verilen fırçayı kullanarak nazikçe ovalayınız.
3. Hazneye küçük bir miktar yıkama sıvısı koyunuz, kapağı yeniden yerleştiriniz ve iyice sallayınız, yıkama sıvısının tüm kalıntıları gidene dek durulayınız.
4. Yalnızca maksimum 10° sertlik içeren musluk suyuyla yeniden doldurunuz, kapağı yerine koyunuz, aşırı sıkmayınız.
5. Cihazı temizlerken bir kireç sökücü kullanmayınız, kireç sökücü duman ünitesinin ömrünü kısaltabilir.

Hazne

1. 'KAPALI' (0) konuma getirmek için 'A' Düğmesine basınız.
2. Çekmeceyi nazikçe mümkün olduğu kadar dışarı çekiniz. (Şekil 3'e bakınız)
3. Yukarı kaldırarak su deposunu çıkarınız.
4. Öncelikle iki muhafazalı vidayı gevşeterek ve konektörü nazikçe çekerek haznenin sol tarafında bulunan elektrik konektörünü çıkarınız. (Şekil 8'e bakınız)
5. 90° çevirerek alttaki hazne kilitleme sekmelerini açınız, bu haznenin yerinden tamamen çıkmasını sağlar. (Şekil 9'a bakınız)
6. Su dökülmemesi için seviyeyi korumaya dikkat ederek hazne tertibatını nazikçe kaldırınız. Tertibatı lavaboya oturtunuz. (Şekil 10'a bakınız)
7. 90° çevirerek üstteki iki hazne kilitleme sekmelerini açınız, sonra hazne kapağını kaldırınız. (Şekil 11'e bakınız)
8. Gösterildiği gibi dikkatli bir şekilde yan yatırınız, böylece sıvı hazneden dışarı akar. (Şekil 12'ye bakınız)
9. Hazneye küçük bir miktar yıkama sıvısı koyunuz ve verilen fırçayı kullanarak metal diskler dahil tüm yüzeyleri ve üst kanal yüzeyinde bulunan plastik contaı nazikçe temizleyiniz. **Plastik contaları çıkarmayınız.** (Şekil 13 & 14'e bakınız)
10. Temizlenirken, hazneyi temiz su ile tamamen durulayınız.
11. Hazne kapağının dış yüzeyini fırça ile temizleyiniz ve bol su ile tamamen yıkayınız. (Şekil 15 & 16'ya bakınız)
12. Yeniden kurmak için yukarıdaki adımları tersine çeviriniz.

Hava filtresi.

1. Çekmeceyi nazikçe mümkün olduğu kadar dışarı çekiniz. (Şekil 3'e bakınız)
2. 'KAPALI' (0) konuma getirmek için 'A' Düğmesine basınız (Şekil 2'ye bakınız).
3. Hazneyi çıkarınız ve kapağı yukarıya bakacak şekilde yerleştirerek lavaboya koyunuz.
4. Hava filtresinin plastik tutacağı nazikçe yukarıya doğru kaydırınız. (Şekil 17'ye bakınız)
5. Filtre kombinasyonunu plastik tutacaktan çıkarınız.
6. Lavabodaki su ile nazikçe durulayınız ve iade etmeden önce bir kumaş havluyla kurulayınız.
7. Siyah akış filtresinin plastik tutacak ile temas halinde olduğundan emin olarak filtre kombinasyonunu yerine koyunuz. (Şekil 18'e bakınız)
8. Depoyu yerine koyunuz.
9. 'KAPALI' (1) konuma getirmek için 'A' düğmesine basınız (Şekil 2'ye bakınız).
10. Çekmeceyi tam olarak kapatınız.

Geri Dönüşüm.

Avrupa Topluluğu'nda satılan elektrikli ürünler için. Elektrikli ürünlerin faydalı kullanım ömrü sona erdiğinde, ev atıkları ile beraber atılmamalıdır. Lütfen tesislerin olduğu yerlerde geri dönüşüm veriniz. Ülkenizde geri dönüşüm tavsiyesi almak için, Yerel Makamlara ya da perakendeciye başvurunuz.

Satış Sonrası Hizmet

Satış sonrası hizmete ihtiyaç duyarsanız, lütfen cihazı satın aldığınız tedarikçi ile bağlantıya geçiniz.

| Arızaların Giderilmesi | | |
|--|---|---|
| Belirti | Sebebe | Düzeltilici Önlem |
| Ateş efekti başlamayacaktır. | Ana kablonun fişi takılmamıştır. A düğmesi 'AÇIK' (I) konumdadır ancak B düğmesi moduna basılmamıştır. (Şekil 2'ye bakınız) Düşük su seviyesi. Düşük voltaj konektörü doğru bir şekilde bağlanmamıştır. (Şekil 8'e bakınız) | Kontrol fişi duvar prizine doğru bir şekilde bağlıdır. Ateş efekti için B düğmesine bir kez basınız. (Şekil 2'ye bakınız) Su deposunun dolu olup olmadığını ve haznede su olup olmadığını kontrol ediniz. Konektörün doğru bir şekilde takılıp takılmadığını kontrol ediniz. (Şekil 8'e bakınız) |
| Ateş efekti çok az. | Ateş etkinin kontrol düğmesi çok düşük bir düzeyde ayarlanmıştır. (Şekil 2'ye bakınız) Haznedeki su çekmecenin defalarca açılıp kapanmasından, su deposunun defalarca çıkarılmasından ya da ısıtıcının taşınmasından dolayı çok yüksek olabilir. Haznenin zeminindeki Metal Disk kirli olabilir (Şekil 13'e bakınız). | C Kontrol düğmesini yavaşça sola döndürerek alevin seviyesini yükseltiniz. (Şekil 2'ye bakınız) Haznedeki su seviyesi 40mm'den daha yüksek ise, hazne çıkarılmalı ve lavaboya boşaltılmalıdır. Temin edilen yumuşak fırça ile Metal Diski temizleyiniz. (Şekil 13'e bakınız) Adım adım ilerleyen bir prosedür için, 'Bölüm'e bakınız. |
| Ünite kullanıldığında hoş olmayan bir kokunun çıkması. | Kirli ya da bozuk su. Filtre edilmemiş musluk suyu kullanmak. | Bakım bölümünde anlatıldığı gibi üniteyi temizleyiniz. Yalnızca maksimum 10 dH oranında sertlik içeren musluk suyunu kullanınız. |
| Ateş etkininde çok fazla duman var. | Ateş etkinin ayarları çok yüksek. | Minimum düzeye gelene dek ateş efekti kontrol düğmesini sağa çeviriniz ve bir seferde ¼ oranında çevirerek yavaşça sola döndürünüz. Yükseltmeden önce alev jeneratörüne ayarlan algılaması için biraz zaman veriniz. (Şekil 2'ye bakınız) |
| Ana lambalar çalışmıyor ve alev ya da duman yok. | Depoda su yoktur. | Bakım 'Su deposunu doldurmak' bölümünde açıklanan talimatları takip ediniz. Fişin duvar prizine doğru bir şekilde bağlı olup olmadığını kontrol ediniz. Şekil 2'deki 'A' düğmesi 'AÇIK' (I) konumdadır. Ateş efekti için tek bir bip sesi duyan dek Şekil 2'deki 'B' düğmesine basınız. |

Opti-myst GDC Group Ltd'in bir ticari markasıdır.

Bu ürün aşağıdaki bir ya da birden fazla patent ile korunur: PCT/ EP2005/009774, PCT/ EP2007/002207, GB0717773.6, GB0717772.8, GB0717770.2, GB0809322.1. Bu ürünün dizaynı AB Tasarım Hakları tarafından korunur.

© GDC'nin Bir Departmanı

Tüm hakları saklıdır. GDC'nin yazılı ön izni olmadıkça, bu yayının içeriği tamamen ya da kısmen çoğaltılamaz.

ΣΗΜΑΝΤΙΚΟ: ΠΡΕΠΕΙ ΝΑ ΔΙΑΒΑΣΕΤΕ ΠΡΟΣΕΚΤΙΚΑ ΑΥΤΕΣ ΤΙΣ ΟΔΗΓΙΕΣ ΚΑΙ ΝΑ ΤΙΣ ΔΙΑΤΗΡΗΣΕΤΕ ΓΙΑ ΜΕΛΛΟΝΤΙΚΗ ΑΝΑΦΟΡΑ**Σημαντικές Συμβουλές Ασφαλείας:**

Όταν χρησιμοποιείτε ηλεκτρικές συσκευές, πρέπει να ακολουθείτε πάντα βασικές προφυλάξεις ώστε να μειωθούν οι πιθανότητες πυρκαγιάς, ηλεκτροπληξίας και τραυματισμού σε άτομα, συμπεριλαμβανομένων των ακολούθων:

Αν έχει φθαρεί η συσκευή, απευθυνθείτε στον προμηθευτή πριν την εγκατάσταση και λειτουργία.

Μη χρησιμοποιείτε σε εξωτερικούς χώρους

Μην χρησιμοποιείτε σε περιβάλλοντα όπως το μπάνιο, το ντους ή την πισίνα.

Μην τοποθετείται τη φωτιά ακριβώς κάτω από μια σταθερή έξοδο πρίζας ή πλαίσιο σύνδεσης. Αυτή η συσκευή δεν προορίζεται για χρήση από παιδιά ή άλλα άτομα χωρίς βοήθεια ή επιθεώρηση αν οι σωματικές, αισθητικές ή διανοητικές τους ικανότητες τους αποτρέπουν από το να την χρησιμοποιήσουν με ασφάλεια. Children should be supervised to ensure that they do not play with the appliance.

Μην χρησιμοποιείτε αυτή την ξυλόσομπα μαζί με θερμικό χειριστήριο, τηλεχειριστήριο, χρονοδιακόπτη ή οποιαδήποτε άλλη συσκευή που ενεργοποιεί τη θερμότητα αυτόματα, καθώς υπάρχει κίνδυνος η φωτιά να καλυφθεί ή να αλλάξει θέση κατά λάθος. Βεβαιωθείτε τα έπιπλα, οι φουρνίτες ή άλλα εύφλεκτα υλικά έχουν τοποθετηθεί σε απόσταση 1 μέτρο από τη ξυλόσομπα.

Σε περίπτωση σφάλματος απουσνδέστε τη ξυλόσομπα.

Απουσνδέστε όταν δεν απαιτείται χρήση για μεγάλες χρονικές περιόδους.

Αν και η ξυλόσομπα συμφορώνεται με τα πρότυπα ασφαλείας, δεν συνιστούμε τη χρήση της σε χοντρά χαλιά ή χαλιά μεγάλων διαστάσεων.

Η συσκευή πρέπει να τοποθετηθεί ώστε να είναι εύκολη η πρόσβαση στην πρίζα.

Αν το καλώδιο παροχής έχει φθαρεί, πρέπει να αντικατασταθεί από του κατασκευαστή ή τον αντιπρόσωπο σέρβις ή άλλο εξουσιοδοτημένο άτομο για την αποφυγή κινδύνου.

Κρατήστε το καλώδιο παροχής μακριά από το εμπρόσθιο μέρος της ξυλόσομπας.

ΠΡΟΕΙΔΟΠΟΙΗΣΗ: Για την αποφυγή υπερθέρμανσης, μην καλύπτετε την ξυλόσομπα. Μην τοποθετείτε υλικά ή ρούχα στην ξυλόσομπα ή μην εμποδίζετε την κυκλοφορία του αέρα γύρω από την ξυλόσομπα.

Η ξυλόσομπα φέρει το σύμβολο Προειδοποίηση το οποίο υποδηλώνει ότι δεν πρέπει να καλύπτεται.

**Γενικά**

Βγάλετε τη ξυλόσομπα από τη συσκευασία με προσοχή και κρατήστε τη συσκευασία για πιθανή χρήση στο μέλλον, σε περίπτωση που μεταφέρετε ή επιστρέψετε τη φωτιά στον προμηθευτή. Το Τηλεχειριστήριο και οι μπαταρίες βρίσκονται σε ξεχωριστή συσκευασία στην κούτα.

Η ξυλόσομπα ενσωματώνει ένα εφέ φλόγας, το οποίο μπορεί να χρησιμοποιηθεί με ή χωρίς θερμότητα, έτσι ώστε το εφέ άνεσης να είναι διαθέσιμο καθόλη τη διάρκεια του έτους. Η χρήση του εφέ φλόγας από μόνο του απαιτεί μόνο ηλεκτρισμό.

Αυτό το μοντέλο έχει σχεδιαστεί για να εγκατασταθεί σε περιβάλλον ή σε υποδοχή τοίχου.

Πριν συνδέσετε τη ξυλόσομπα, ελέγξτε ότι η τάση της τροφοδοσίας είναι ίδια με αυτή που δηλώνεται στη φωτιά.

Παρακαλούμε δώστε προσοχή: Χρησιμοποιείται σε περιβάλλον όπου ο θόρυβος είναι σε χαμηλά επίπεδα.

Ενδέχεται να ακουστεί θόρυβος ο οποίος σχετίζεται με τη λειτουργία του εφέ φλόγας. Αυτό είναι φυσιολογικό και δεν πρέπει να σας ανησυχήσει.

Ηλεκτρική σύνδεση.**ΠΡΟΕΙΔΟΠΟΙΗΣΗ – ΑΥΤΗ Η ΣΥΣΚΕΥΗ ΠΡΕΠΕΙ ΝΑ ΕΙΝΑΙ ΓΕΙΩΜΕΝΗ.**

Αυτή η ξυλόσομπα πρέπει να χρησιμοποιηθεί μόνο σε τροφοδοσία AC και η τάση με την ένδειξη στη φωτιά πρέπει να αντιστοιχεί στην τάση τροφοδοσίας.

Πριν την ενεργοποίηση, διαβάστε τις προειδοποιήσεις ασφαλείας και τις οδηγίες λειτουργίας.

ΚΡΑΤΗΣΤΕ ΑΥΤΟΝ ΤΟΝ ΟΔΗΓΟ ΧΡΗΣΗΣ ΓΙΑ ΜΕΛΛΟΝΤΙΚΗ ΑΝΑΦΟΡΑ

Μην τοποθετείτε τα πλαστικά εξαρτήματα στο πλυντήριο πιάτων.

Μόνο σύρτε προς τα έξω συρτάρι όταν το δοχείο του νερού πρέπει να γεμίσει ή πρέπει να αλλάξει η λάμπα, διαφορετικά αλλάζετε τη στάθμη του νερού και τη λειτουργία του εφέ της φλόγας.

Χρησιμοποιήστε μόνο πόσιμο νερό σε αυτή τη συσκευή με μέγιστη σκληρότητα 10 dH.

Διασφαλίζετε πάντα ότι η ξυλόσομπα είναι τοποθετημένη σε επίπεδο δάπεδο.

Αν δεν πρόκειται να χρησιμοποιήσετε τη συσκευή για περισσότερες από 2 εβδομάδες, στραγγίστε το νερό από τη λεκάνη και το δοχείο του νερού και στεγνώστε τη λεκάνη.

Όταν εγκατασταθεί, μην μετακινείτε ποτέ αυτή τη ξυλόσομπα ή μην την τοποθετήσετε ποτέ ανάποδα χωρίς να αφαιρέσετε το νερό από τη λεκάνη και το δοχείο νερού.

Το δοχείο νερού, η λεκάνη, το καπάκι της λεκάνης, το καπάκι του δοχείου και τα φίλτρα αέρα πρέπει να καθαρίζονται μια φορά τις δύο εβδομάδες, ειδικά σε περιοχές με σκληρό νερό.

Η ξυλόσομπα δεν πρέπει να λειτουργεί ποτέ αν δεν λειτουργούν οι λάμπες.

Οι λάμπες πρέπει να εξετάζονται συχνά, όπως περιγράφεται στις ενότητες 'Συντήρηση' και 'Αλλαγή λαμπών'.

Οδηγίες εγκατάστασης

Βεβαιωθείτε ότι όλα τα στοιχεία συσκευασίας έχουν αφαιρεθεί (διαβάστε προσεκτικά τις ετικέτες προειδοποίησης).

Κρατήστε όλη τη συσκευασία για πιθανή χρήση στο μέλλον, σε περίπτωση μετακίνησης ή επιστροφής της συσκευής στον προμηθευτή σας.

Για τη μείωση απώλειας θερμότητας και την αποφυγή ξηρότητας της καπνοδόχου που επηρεάζει τη λειτουργία της ξυλόσομπας σας, συνιστούμε τη φραγή του υγρού της καπνοδόχου, διασφαλίζοντας ότι υπάρχει ένα μικρό κενό για εξαέρωση.

Για την εγκατάσταση της συσκευής

Κρατήστε τη ξυλόσομπα από τα πλάγια και γυρίστε τη στη θέση της με προσοχή. Συνδέστε τη ξυλόσομπα σε μια πρίζα με ρεύμα 13amp/240 volt. Βεβαιωθείτε ότι το καλώδιο παροχής βγαίνει από το εμπρόσθιο τμήμα της ξυλόσομπας, στη δεξιά ή αριστερή γωνία για να εφαρμόσει στη θέση της πρίζας και να μην παγιωθεί κάτω από τη συσκευή όπου μπορεί να φθαρεί.

Πριν ενεργοποιήσετε τη συσκευή, διαβάστε τις παρακάτω οδηγίες.

Πριν χρησιμοποιήσετε τα χειροκίνητα στοιχεία χειρισμού, πρώτα πρέπει να γεμίσετε το δοχείο του νερού (Βλ. ενότητες 'Συντήρηση', 'Πλήρωση του δοχείου νερού').

Χειροκίνητα στοιχεία χειρισμού.

Τα χειροκίνητα στοιχεία χειρισμού βρίσκονται πίσω από το συρτάρι.

(Βλ. Εικόνα 2 για τη διάταξη του χειροκίνητου στοιχείου χειρισμού)

Διακόπτης 'Α': Ελέγχει την παροχή ηλεκτρισμού στη ξυλόσομπα.

Σημείωση: Αυτό ο διακόπτης πρέπει να βρίσκεται προς τα δεξιά 'ON' (I) (ΕΝΕΡΓΟΠΟΙΗΣΗ) για να λειτουργήσει η ξυλόσομπα με ή χωρίς θερμότητα.

Διακόπτης 'B': Ελέγχει τη λειτουργία της ξυλόσομπας.

Πατήστε  μια φορά για να ενεργοποιηθεί το εφέ της φλόγας. Αυτό θα υποδηλώνεται με το άκουσμα ενός χαρακτηριστικού ήχου.

Αν και οι κύριες λυχνίες λειτουργούν αμέσως, θα χρειαστούν άλλα 30 δευτερόλεπτα για να ξεκινήσει το εφέ της φλόγας.

Πατήστε  για να θέσετε τη ξυλόσομπα σε κατάσταση αναμονής.

Αυτό θα υποδηλώνεται με το άκουσμα ενός χαρακτηριστικού ήχου.

Κουμπί ελέγχου 'C': Ελέγχει την ένταση του εφέ φλόγας.

Η περιστροφή του κουμπιού ελέγχου αυξάνει το εφέ φλόγας. Η περιστροφή του κουμπιού ελέγχου προς τα αριστερά μειώνει το εφέ φλόγας.

Όταν το δοχείο νερού είναι κενό, οι κύριες λυχνίες σβήνουν. Ανατρέξτε στις οδηγίες στην ενότητα 'Συντήρηση', 'Πλήρωση δοχείου νερού'. Όταν ολοκληρωθεί αυτή η διαδικασία οι κύριες λυχνίες θα αναψήσουν αλλά θα χρειαστούν 30 προτού επιστρέψουν οι φλόγες.

Λειτουργία Τηλεχειριστηρίου

Στον πίνακα ελέγχου Διακόπτης A (Βλ. Εικ. 2) πρέπει να βρίσκεται στη θέση 'ON' (I) (ΕΝΕΡΓΟΠΟΙΗΣΗ) για να λειτουργήσει το τηλεχειριστήριο. Υπάρχουν 3 κουμπιά στο τηλεχειριστήριο. (Βλ. Εικ.7)

Για τη σωστή λειτουργία, το τηλεχειριστήριο πρέπει να είναι στραμμένο προς το εμπρόσθιο εφέ καυσίμων.

Οι λειτουργίες του τηλεχειριστηρίου είναι οι εξής:



Πατήστε μια φορά για να ενεργοποιηθεί μόνο το εφέ φλόγας.
Αυτό θα υποδηλώνεται με το άκουσμα ενός χαρακτηριστικού ήχου.



Αναμονή
Αυτό θα υποδηλώνεται με το άκουσμα ενός χαρακτηριστικού ήχου.

Πληροφορίες σχετικά με τη μπαταρία.

1. Ξεκουμπώστε το κάλυμμα της μπαταρίας που βρίσκεται στο πίσω μέρος του τηλεχειριστηρίου. (Βλ. Εικ.7)
2. Τοποθετήστε τις μπαταρίες AAA στο τηλεχειριστήριο.
3. Αντικαταστήστε το κάλυμμα της μπαταρίας.

Απορρίψτε τις μπαταρίες που έχουν διαρροή.

Απορρίψτε τις μπαταρίες κατάλληλα σύμφωνα με τους επαρχιακούς και τοπικούς κανονισμούς. Οποιαδήποτε μπαταρία μπορεί να έχει διαρροή ηλεκτρολύτη αν αναμειχθεί με διαφορετικό τύπο μπαταρίας, αν εισαχθεί λανθασμένα, αν δεν αντικατασταθούν όλες οι μπαταρίες ταυτόχρονα, αν απορριφθεί σε φωτιά ή αν επηχοποιηθεί με φορτίστες μια μπαταρία που δεν είναι επαναφορτιζόμενη.

Αποκοπή θερμικής ασφάλειας

Μια αποκοπή θερμικής ασφάλειας είναι ενσωματωμένη στον θερμαντήρα του ανεμιστήρα για την αποφυγή φθοράς λόγω υπερθέρμανσης. Αυτό μπορεί να συμβεί αν η έξοδος της θερμότητας περιορίζεται. Αν λειτουργεί η αποκοπή, απουσνδέστε την ξυλόσομπα από την πρίζα και επιτρέψτε περίπου 10 λεπτά πριν την επανασύνδεση. Πριν ενεργοποιήσετε ξανά την ξυλόσομπα, αφαιρέστε οποιοδήποτε εμπόδιο το οποίο μπορεί να περιορίζει την έξοδο της θερμότητας, και στη συνέχεια, συνεχίστε την κανονική λειτουργία.

Χρήσιμες συμβουλές για τη χρήση της συσκευής σας.

1. Αφαιρέστε το συρτάρι μόνο όταν πρέπει να γεμίσετε το δοχείο νερού ή να αλλάξετε μια λυχνία, διαφορετικά αποφράστε να συσσωρευτεί επιπλέον νερό στη λεκάνη και να μειωθεί η επίδραση της φλόγας. Αν συμβεί αυτό, αφαιρέστε το νερό από τη λεκάνη όπως περιγράφεται στην ενότητα 'Συντήρηση'.
2. Με τη ρύθμιση της φλόγας στο ελάχιστο, η μονάδα θα χρησιμοποιήσει περίπου 40ml νερού ανά ώρα και θα διαρκέσει 3 φορές περισσότερο από τη ρύθμιση στη μέγιστη φλόγα.
3. Μην γέρνετε ή μετακινείτε την ξυλόσομπα ενώ υπάρχει νερό στο δοχείο ή στη λεκάνη.
4. Βεβαιωθείτε ότι η ξυλόσομπα είναι τοποθετημένη σε επίπεδο δάπεδο.
5. Το κουμπί ελέγχου φλόγας 'C' (Εικ.2) μπορεί να αυξήσει ή να μειώσει τη φλόγα δίνοντας πιο ρεαλιστική εικόνα.
6. Ορισμένες φορές οι φλόγες εμφανίζονται αληθινές όταν το κουμπί ελέγχου της φλόγας είναι σε χαμηλό επίπεδο.
7. Δώστε λίγο χρόνο στη γεννήτρια φλόγας ώστε να αντιδράσει στις αλλαγές που ενδέχεται να πραγματοποιήσετε στο κουμπί ελέγχου φλόγας.

Συντήρηση**ΠΡΟΕΙΔΟΠΟΙΗΣΗ: ΑΠΟΣΥΝΔΕΤΕ ΠΑΝΤΑ ΑΠΟ ΤΗΝ ΤΡΟΦΟΔΟΣΙΑ ΠΡΙΝ ΑΠΟ ΟΠΟΙΟΔΗΠΟΤΕ ΣΥΝΤΗΡΗΣΗ****Προσαρμογή Λυχνιών Αντικατάσταση.**

Αν εμφανιστεί μεγάλη ποσότητα καπνού με γκρι χρώμα ή χωρίς χρώμα, αυτό ενδέχεται να σημαίνει ότι μια ή περισσότερες λυχνίες δεν λειτουργούν.

Μπορείτε να ελέγξετε την κατάσταση μια λυχνίας ως εξής:

1. Αφήνοντας ενεργοποιημένο το εφέ φλόγας, ανοίξτε πλήρως το συρτάρι, τραβήξτε απαλά και πλήρως το συρτάρι προς τα έξω από το χερούλι. (Βλ. Εικ. 3)
2. Δείτε τις λυχνίες από απόσταση μπροστά από την ξυλόσομπα και να παρατηρήσετε ποιες λυχνίες πρέπει να αλλάξουν.
3. Θέστε τον Διακόπτη 'Α' στη θέση 'OFF' (ΑΠΕΝΕΡΓΟΠΟΙΗΣΗ) και απουσνδέστε την ξυλόσομπα από την κύρια παροχή.
4. Αφήστε τη συσκευή για 20 λεπτά και επιτρέψτε στις λυχνίες να επανέλθουν σε κανονική θερμοκρασία πριν τις αφαιρέσετε.
5. Αφαιρέστε το δοχείο νερού ανασκλώνοντάς και τοποθετώντας το στον νεραχύτι.
6. Αφαιρέστε τη λεκάνη όπως περιγράφεται στην Ενότητα "Καθαρισμός".
7. Αφαιρέστε την ελαττωματική λυχνία, ανασκλώνοντάς την απαλά και κάθετα και αποδεσμεύοντας τις ακίδες από τη συγκράτηση της λυχνίας. (Βλ. Εικ. 4 και 5). Αντικαταστήστε με μια έγχρωμη λυχνία Dimplex Opti-myst, 12V, 50W, μια βάση G5.3, γωνία ακτίνας 8°. (Αγορά από τον ιστότοπο www.dimplex.co.uk στην ενότητα 'Υψηλότερη μετά την πώληση. Λεπτομέρειες για την αγορά λυχνιών θα βρείτε στο παράρ.
8. Εισαγάγετε με προσοχή τις δύο ακίδες της νέας λυχνίας στις δύο σπές στην συγκράτηση λυχνιών. Σπρώξτε σταθερά στη θέση του. (Βλ. Εικ.4 και 5).
9. Αντικαταστήστε τη λεκάνη και το δοχείο νερού και κλείστε προσεκτικά το συρτάρι.
10. Ενεργοποίηση.

Πλήρωση του δοχείου νερού.

- Όταν το δοχείο νερού είναι κενό, το εφέ φλόγας και καπνού απενεργοποιείται και θα ακουστούν 2 "χαρακτηριστικοί ήχοι". Ακολουθήστε αυτά τα βήματα για πλήρωση:
1. Πατήστε τον Διακόπτη 'Α' σε (0). (Βλ. Εικ.2)
 2. Τραβήξτε προς τα έξω το συρτάρι από το χερούλι. (Βλ. Εικ. 3)
 3. Αφαιρέστε το δοχείο νερού ανασηκώνοντας προς τα επάνω και προς τα έξω.
 4. Τοποθετήστε το δοχείο νερού στον νεροχύτη και αφαιρέστε το καπάκι. Περιστρέψτε προς τα αριστερά για να ανοίξει. (Βλ. Εικ.6)
 5. Γεμίστε το δοχείο με **φιλτραρισμένο πόσιμο νερό**. Αυτό είναι απαραίτητο προκειμένου να παραταθεί η διάρκεια ζωής της μονάδας παραγωγής φλόγας και καπνού. **Μην χρησιμοποιήσετε συσκευή απο-ασβεστοποίησης.**
 6. Βιδώστε ξανά το καπάκι. **Μην σφίξετε υπερβολικά.**
 7. Επανατοποθετήστε το δοχείο στη λεκάνη, με το καπάκι του δοχείου να είναι στραμμένο προς τα κάτω και την επίπεδη πλευρά του δοχείου να είναι στραμμένη προς τα έξω.
 8. Πατήστε τον Διακόπτη 'Β' μια φορά για να ενεργοποιηθεί το εφέ της φλόγας. (Ανατρέξτε στην ενότητα χειροκίνητου ελέγχου και στην Εικ.2).
 9. Πατήστε τον Διακόπτη 'Α' στην θέση 'ON' (1) (ΕΝΕΡΓΟΠΟΙΗΣΗ). (Βλ. Εικ.2)
 10. Σπρώξτε απαλά το συρτάρι ξανά προς τα μέσα.

Καθαρισμός.

ΠΡΟΕΙΔΟΠΟΙΗΣΗ – ΑΠΟΣΥΝΔΕΕΤΕ ΠΑΝΤΑ ΑΠΟ ΤΗΝ ΤΡΟΦΟΔΟΣΙΑ ΠΡΙΝ ΤΟΝ ΚΑΘΑΡΙΣΜΟ ΤΗΣ ΞΥΛΟΣΟΜΠΑΣ.

Συνιστούμε τον καθαρισμό των ακόλουθων εξαρτημάτων μια φορά κάθε 2 εβδομάδες, ειδικά σε περιοχές σκληρού νερού:-
Δοχείο Νερού, Λεκάνη και Σφράγιση, Καπάκι λεκάνης, Καπάκι δοχείου και σφράγιση, Φίλτρο αέρα.
Για γενικό καθαρισμό, χρησιμοποιήστε απαλά και καθαρό πανί ξεσκονίσματος – μην χρησιμοποιείτε ποτέ τριβικά καθαριστικά. Για την αφαίρεση σκόνης ή κατσίκοιτων, πρέπει να χρησιμοποιείτε κατά περιόδους το εξάρτημα της απαλής βούρτσας της ηλεκτρικής σκούπας για τον καθαρισμό της σχάρας εξόδου της ξυλόσομπας ανεμιστήρα.

Δεξαμενή νερού

1. Αφαιρέστε το δοχείο νερού, όπως περιγράφεται παραπάνω, τοποθετήστε το στον νεροχύτη και αδειάστε το νερό.
2. Με τη χρήση της παρεχόμενης βούρτσας, τρίψτε απαλά τις εσωτερικές επιφάνειες του καπακιού, δίνοντας ιδιαίτερη προσοχή στον δακτύλιο του λάστιχου στο εξωτερικό αulάκωμα και στην κεντρική σφράγιση του λάστιχου.
3. Τοποθετήστε μια μικρή ποσότητα απορρυπαντικού πιάτων στο δοχείο, επανατοποθετήστε το καπάκι και ανακινήστε καλά, ξεβγάλετε έως ότου φύγουν όλα τα σπιδιά από το απορρυπαντικό.
4. Γεμίστε ξανά με πόσιμο νερό μέγιστης σκληρότητας μόνο 10l, επανατοποθετήστε το καπάκι και μην το σφίξετε υπερβολικά.
5. Μην χρησιμοποιήσετε απο-ασβεστοποιητή όταν καθαρίζετε τη συσκευή. Ενδέχεται να μικρύνει η διάρκεια ζωής της μονάδας καπνού.

Λεκάνη

1. Πατήστε τον Διακόπτη 'Α' στη θέση 'OFF' (0) (ΑΠΕΝΕΡΓΟΠΟΙΗΣΗ)
2. Τραβήξτε απαλά το συρτάρι προς τα έξω. (Βλ. Εικ. 3)
3. Αφαιρέστε το δοχείο νερού ανασηκώνοντας προς τα επάνω.
4. Αποσυνδέστε τον ηλεκτρικό σύνδεσμο που βρίσκεται στην αριστερή πλευρά της λεκάνης, χαλαρώνοντας πρώτα τις δύο βίδες συγκράτησης και αποσύροντας απαλά τον σύνδεσμο. (Βλ. Εικ.8)
5. Αποδεσμεύστε τις κάτω λαβές ασφάλισης της λεκάνης περιστρέφοντας τις 90l. Με αυτόν τον τρόπο η λεκάνη μπορεί να ανασκηθεί πλήρως από τη θέση της. (Βλ. Εικ.9)
6. Ανασηκώστε απαλά το εξάρτημα της λεκάνης, προσέχοντας ώστε να την διατηρήσετε σε επίπεδη θέση για να μην χυθεί νερό. Τοποθετήστε το εξάρτημα στον νεροχύτη. (Βλ. Εικ.10)
7. Αποδεσμεύστε τις δύο άνω λαβές ασφάλισης της λεκάνης περιστρέφοντας τις 90l, και στη συνέχεια, σηκώστε το καπάκι της λεκάνης. (Βλ. Εικ.11)
8. Γυρίστε προσεκτικά, όπως εμφανίζεται, ώστε να αφαιρεθεί το υγρό από τη λεκάνη. (Βλ. Εικ.12)
9. Τοποθετήστε μικρή ποσότητα απορρυπαντικού πιάτων στη λεκάνη και χρησιμοποιώντας την παρεχόμενη βούρτσα, καθαρίστε απαλά όλες τις επιφάνειες συμπεριλαμβανομένων των μεταλλικών δίσκων και της ελαστικής σφράγισης που βρίσκεται στην άνω επιφάνεια της αulάκωσης. **Μην αφαιρέτε τις ελαστικές σφραγισεις.** (Βλ. Εικ.13 και 14)
10. Κατά τον καθαρισμό, ξεβγάλετε προσεκτικά τη λεκάνη με καθαρό νερό.
11. Καθαρίστε την επιφάνεια της εξόδου του καπακιού της λεκάνης με τη βούρτσα και ξεβγάλετε προσεκτικά με νερό. (Βλ. Εικ.15 & 16)
12. Αντιστρέψτε τα παραπάνω βήματα για επανασυναρμολόγηση.

Φίλτρο αέρα.

1. Τραβήξτε απαλά το συρτάρι προς τα έξω. (Βλ. Εικ. 3).
2. Πατήστε τον Διακόπτη 'Α' στη θέση 'OFF' (0) (ΑΠΕΝΕΡΓΟΠΟΙΗΣΗ) (Βλ. Εικ.2)
3. Αφαιρέστε το δοχείο και τοποθετήστε το σε έναν νεροχύτη με το καπάκι να είναι στραμμένο προς τα επάνω.
4. Σύρετε απαλά προς τα επάνω τον πλαστικό συγκρατητή του φίλτρου αέρα. (Βλ. Εικ.17)
5. Αφαιρέστε τον συνδυασμό φίλτρων από τον πλαστικό συγκρατητή.
6. Ξεβγάλετε απαλά με νερό στον νεροχύτη και στεγνώστε με πετσέτα πριν την επανατοποθέτηση.
7. Επανατοποθετήστε τον συνδυασμό φίλτρων διασφαλίζοντας ότι το σκληρό μαύρο φίλτρο βρίσκεται σε επαφή με τον πλαστικό συγκρατητή. (Βλ. Εικ.18)
8. Αντικαταστήστε το δοχείο.
9. Πατήστε τον Διακόπτη 'Α' στη θέση 'ON' (1) (ΕΝΕΡΓΟΠΟΙΗΣΗ) (Βλ. Εικ.2)
10. Κλείστε πλήρως το συρτάρι.

Ανακύκλωση.

Για ηλεκτρικά προϊόντα που έχουν πουληθεί στην Ευρωπαϊκή Κοινότητα. Στο τέλος διάρκειας ζωής των ηλεκτρικών προϊόντων, δεν πρέπει να απορρίπτονται με τα οικιακά απόβλητα. Ανακυκλώστε στις κατάλληλες εγκαταστάσεις. Απευθυνθείτε στις Τοπικές Αρχές ή τον πωλητή για συμβουλές σχετικά με την ανακύκλωση στη χώρα σας.

Τεχνική υποστήριξη μετά την αγορά

Αν χρειαστείτε τεχνική υποστήριξη μετά την αγορά, απευθυνθείτε στον προμηθευτή από τον οποίο αγοράσατε τη συσκευή.

| Αντιμετώπιση προβλημάτων | | |
|---|--|---|
| Σύμπτωμα | Αιτία | Διορθωτική ενέργεια |
| Το εφέ φλόγας δεν ξεκινάει. | Η πίεξη της κύριας παροχής δεν είναι συνδεδεμένη. Ο Διακόπτης Α βρίσκεται στη θέση 'ON' (1) (ΕΝΕΡΓΟΠΟΙΗΣΗ), αλλά ο Διακόπτης Β της κατάστασης δεν έχει πατηθεί. (Βλ. Εικ.2) Χαμηλή στάθμη νερού. Ο σύνδεσμος χαμηλής τάσης δεν έχει συνδεθεί σωστά. (Βλ. Εικ.8) | Ελέγξτε αν έχει συνδεθεί η κατάλληλη πίεξη στην υποδοχή τοίχου. Πατήστε το Διακόπτη Β μια φορά για την ενεργοποίηση του εφέ φλόγας. (Βλ. Εικ.2) Ελέγξτε ότι το δοχείο νερού είναι γεμάτο και ότι υπάρχει νερό στη λεκάνη. Ελέγξτε ότι ο σύνδεσμος έχει εισαχθεί σωστά. (Βλ. Εικ.8) |
| Το εφέ φλόγας είναι πολύ χαμηλό. | Η τιμή του κουμπιού ελέγχου του εφέ φλόγας έχει οριστεί πολύ χαμηλά. (Βλ. Εικ.2) Το νερό στη λεκάνη μπορεί να είναι πολύ επειδή το συρτάρι έχει ανοίξει και κλείσει αρκετές φορές, το δοχείο νερού έχει αφαιρεθεί αρκετές φορές ή έχει μετακινηθεί η ξυλόσομπα. Ο Μεταλλικός δίσκος στη βάση της Λεκάνης μπορεί να είναι βρώμκος. (Βλ. Εικ.13) | Αυξήστε το επίπεδο της φλόγας γυρίζοντας αργά το Κουμπί ελέγχου C προς αριστερά. (Βλ. Εικ.2) Αν η στάθμη του νερού στη λεκάνη είναι περισσότερο από 40mm, η λεκάνη πρέπει να αφαιρεθεί και να εκκενωθεί στον νεροχύτη. Καθαρίστε τον Μεταλλικό δίσκο με την απαλή παρεχόμενη βούρτσα. (Βλ. Εικ.13) Βλ. την ενότητα 'Συντήρηση' για την αναλυτική διαδικασία. |
| Ανεπιθύμητη οσμή κατά τη χρήση της μονάδας. | Βρώμικο ή παλιό νερό. Χρήση μη φιλτραρισμένου πόσιμου νερού. | Καθαρίστε τη μονάδα όπως περιγράφεται στην ενότητα συντήρησης. Χρησιμοποιήστε πόσιμο νερό με μέγιστη σκληρότητα μόνο 10 dH. |
| Το εφέ φλόγας παράγει πολύ καπνό. | Η ρύθμιση του εφέ φλόγας είναι πολύ υψηλή. | Γυρίστε το Κουμπί ελέγχου C του εφέ φλόγας προς τα δεξιά έως ότου φτάσει στην ελάχιστη τιμή και γυρίστε αργά προς τα αριστερά, σχεδόν 'O για κάθε στροφή τη φορά. Δώστε λίγο χρόνο στη γεννήτρια φλόγας ώστε να ρυθμιστεί πριν την αύξηση. (Βλ. Εικ.2) |
| Οι κύριες λυχνίες δεν λειτουργούν και δεν υπάρχουν φλόγες ή καπνός. | Δεν υπάρχει νερό στο δοχείο. | Ακολουθήστε τις οδηγίες στην ενότητα Συντήρηση , 'Πλήρωση δοχείου νερού'. Ελέγξτε αν έχει συνδεθεί η πίεξη κατάλληλα στην υποδοχή τοίχου. Ο Διακόπτης 'Α' Εικ. 2 βρίσκεται στη θέση 'ON' (1) (ΕΝΕΡΓΟΠΟΙΗΣΗ). Πατήστε τον διακόπτη 'Β' Εικ.2 έως ότου ακούσετε μόνο έναν χαρακτηριστικό ήχο για το εφέ φλόγας. |

Η επωνυμία Opti-myst είναι εμπορικό σήμα της GDC Group Ltd.

Αυτό το προϊόν προστατεύεται από μία ή περισσότερες από τις ακόλουθες πατέντες: PCT/ EP2005/009774, PCT/ EP2007/002207, GB0717773.6, GB0717772.8, GB0717770.2, GB0809322.1. Ο σχεδιασμός του παρόντος προϊόντος προστατεύεται από τα Δικαιώματα Σχεδιασμού της Ευρωπαϊκής Ένωσης

© A Τμήμα GDC

Με επιφύλαξη παντός δικαιώματος. Το υλικό που περιέχεται σε αυτή τη δημοσίευση δεν μπορεί να αναπαραχθεί πλήρως ή μερικώς, χωρίς την έγγραφη άδεια του GDC.