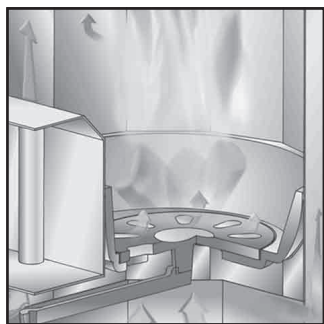


Wood stoves of Castelmonte: *Instructions: Installation & Operation*



CASTELMONTE
Le grandi stufe a legna italiane

The Castelmonte stove: Introduction

Ever since mankind discovered fire, wood is used as a fuel. The random use of "not renewable" fuels such as petroleum were an historical assessment fault.

Forest is very valuable and in addition a power station of the sun. In reality there are chemical reactions that take place in the leaves of trees which store the sun-energy in wood.

Wood is therefore a logical energy source of domestic heating: it is an energy source who renews by itself and saves on the use of crude oil.

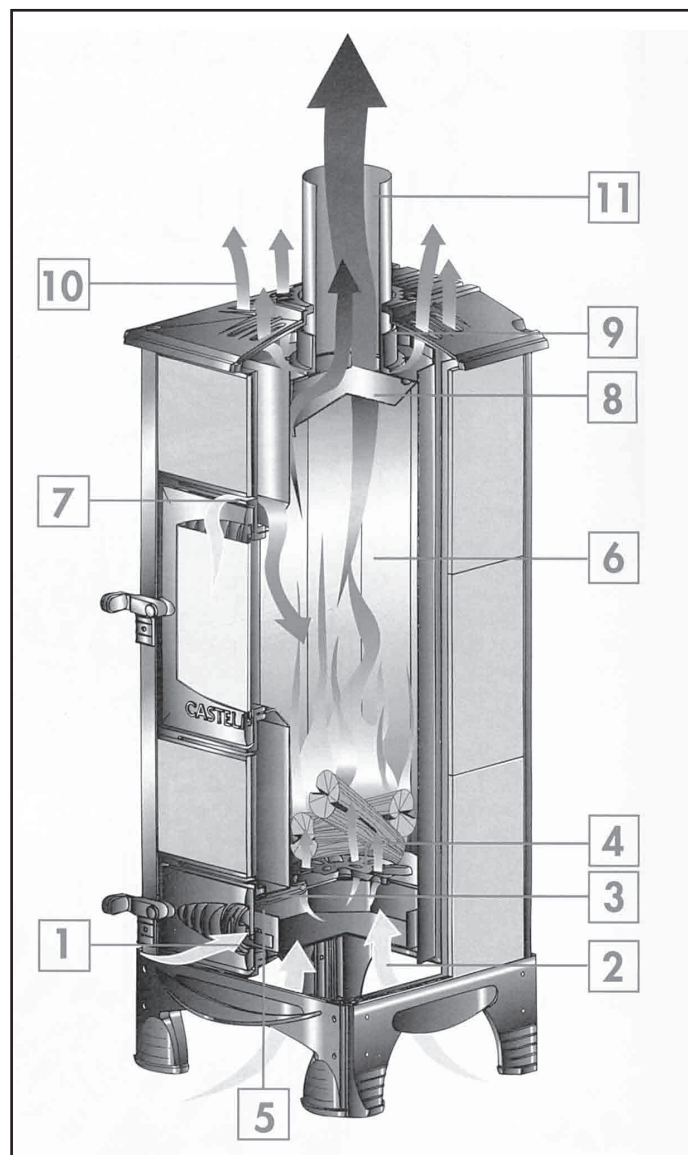
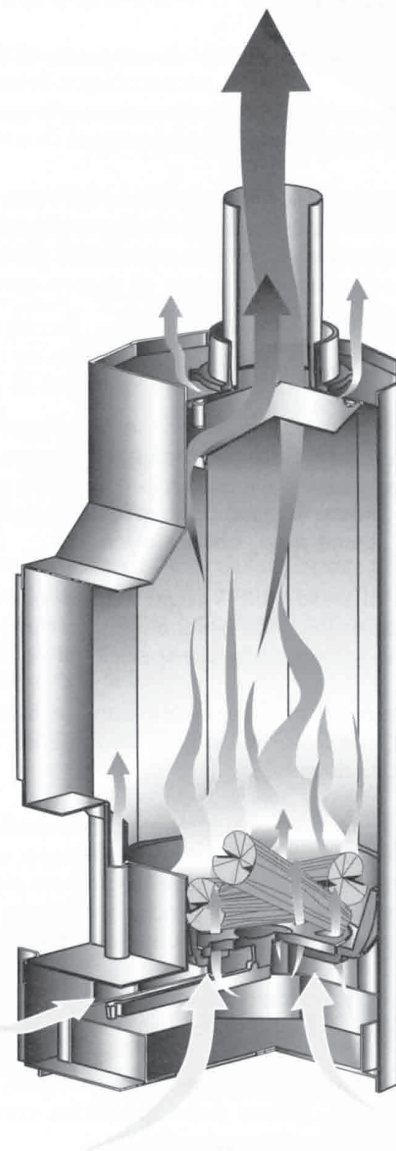
The return of wood as fuel is moreover a stimulation to preserve the forest. That we believe in wood as fuel, we have to thank Castelmonte, who builds high quality wood stoves.

You are the owner of an unique Castelmonte wood stove. The placing and use of the Castelmonte wood stove asks a minimum of time, knowledge and energy.

Once installed you will benefit many years.

In this manual you will find directions for installation and some useful tips how to use the stove.

So that you will become a satisfied consumer.



Legend:

1. Knob to regulate primary air.
2. Cold air is absorbed through the base.
3. A bar to shake the grill.
4. Ashes grill.
5. Ash tray
6. Firebox in stainless steel.
7. Entrance of secondary air, which keeps the glass clean.
8. Plate which diverts the flames.
9. Collar of stove: joining with flue pipe
10. Exit holes for convection of heated air.
11. Stove flue.

Installation in the house



There are several different circumstances which are important where to place the stove:

chimney, optimal distribution of warm air, available room, esthetical aspect, etc..

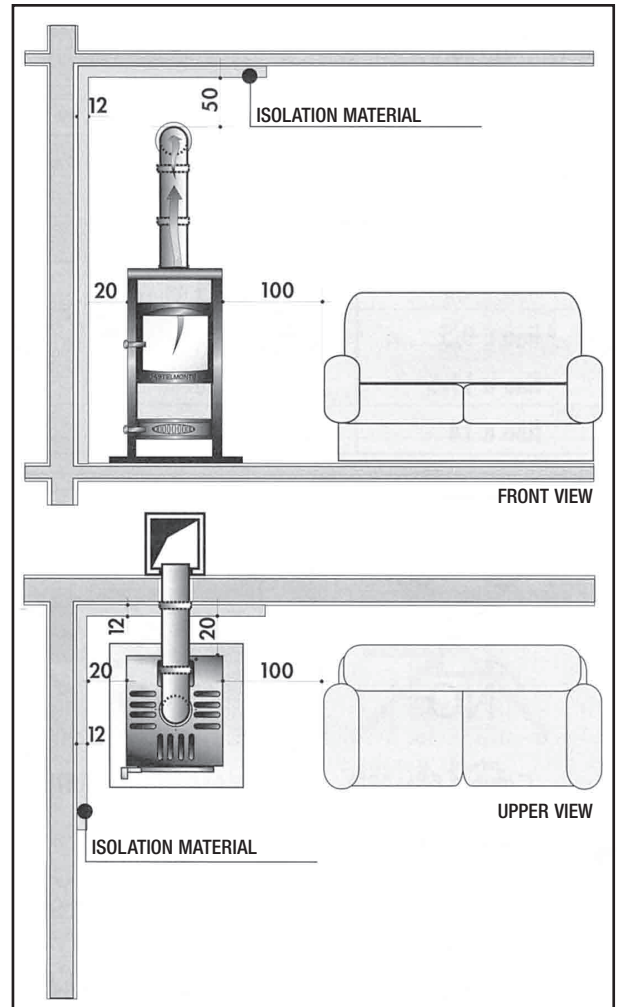
In any case you have to avoid putting the wood stove on less than 100cm (of the front) and 20cm (of the back and the side) of other objects (furniture, wooden walls or other inflammable materials).

If there is a metal plate or an other isolation material between the front of the stove and an inflammable object, the distance can be reduced to 50cm.

The same prescriptions are valid for installation of a wood stove in the neighbourhood of not inflammable walls. Or walls that contain inflammable elements (for example electrical wires). If the floor is made out of wood or covered with an inflammable material like carpet, you have to place a non inflammable floor (stones/brick floor, metal plate or other).

The Castelmonte stoves give mainly convection heat: the air in the room circulates in the free space between the covering (tiles) and the firebox of stainless steel. We recommend to put the stove in such a way that the hot air can distribute fast in the room.

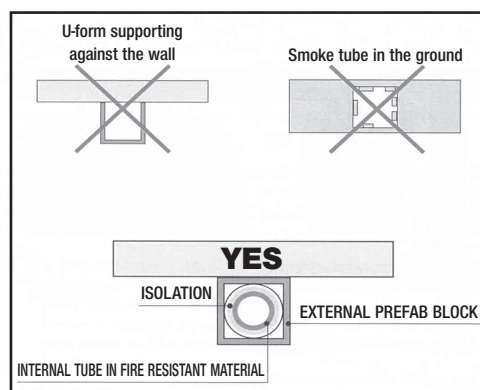
During the transport of the stove, pay attention that the weight of the stove is been carried by several (2 à 3) persons. Try not to move the wood stove too much. This will avoid damage to the tiles or to the structure of the stove.



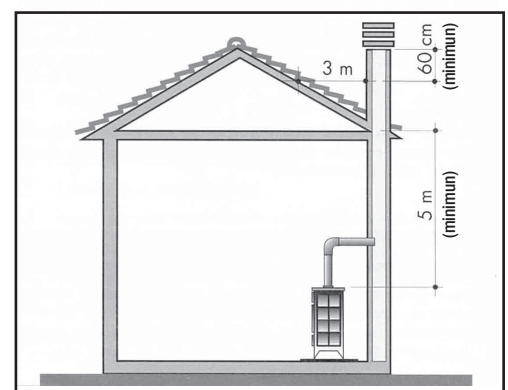
Flue pipe in brick or stainless steel

This table indicates the minimum diameter of the flue pipe. Which is obliged according to length of the flue pipe. This is necessary for a good evacuation of smoke fumes.

Thermal Capacity kW	Height of the flue pipe under 4 meter inside Ø cm	Height of the flue pipe between 4 and 6 meter inside Ø cm	Height of the flue pipe above 6 meter inside Ø cm
until 8,5	14	14	12
until 9,5	16	14	12
until 11,5	16	16	14
until 14	18	18	16

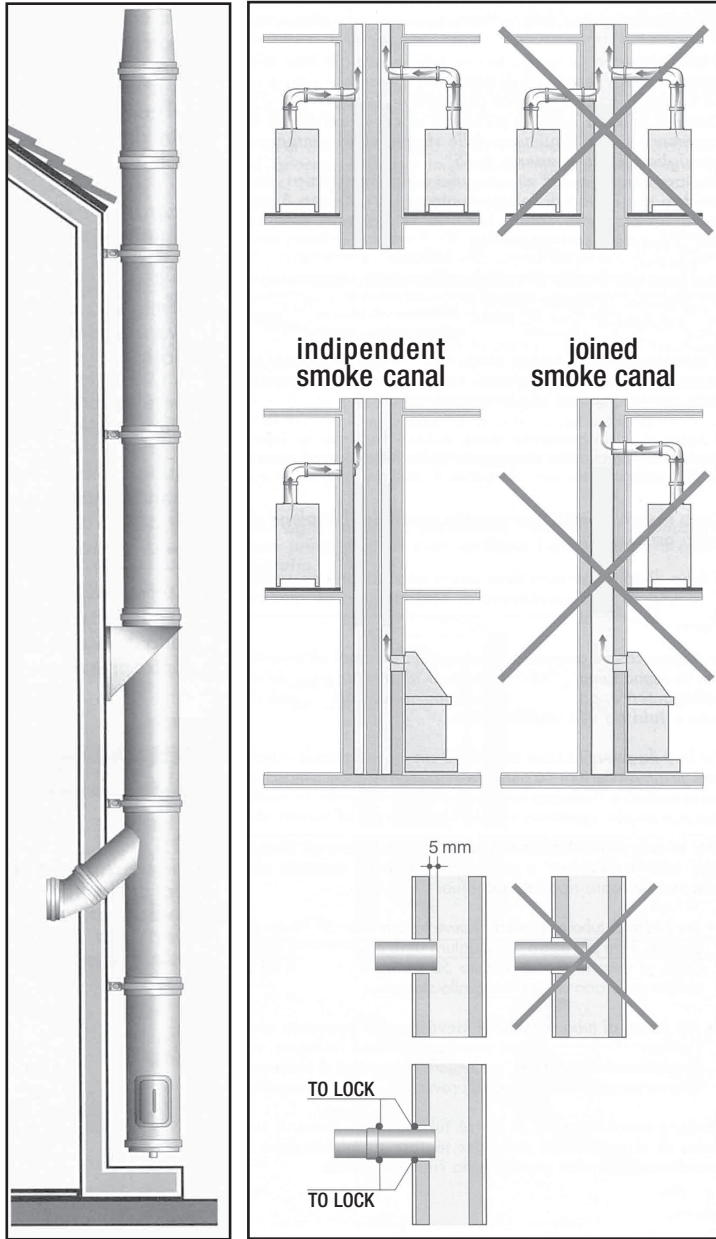


A double isolated heat resistant smoke canal is necessary for an optimal working of the stove.



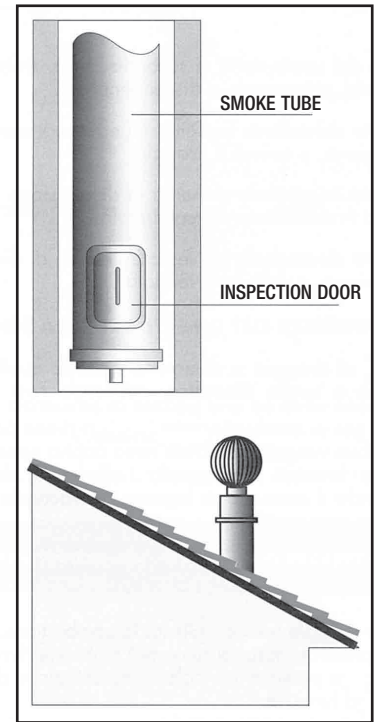
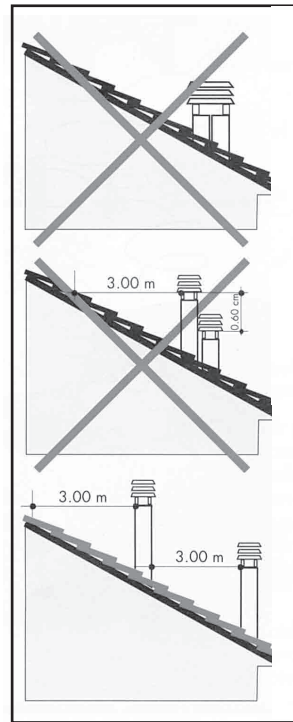
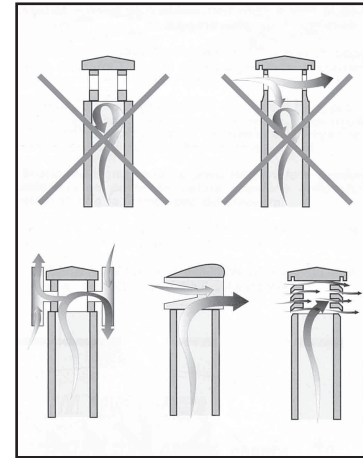
Connection with the flue pipe

We advise not to link two heating systems on one chimney. The connection with the flue pipe in the chimney may not be put further than 5mm in the chimney. And must be well locked.



Connection between the flue pipe and the chimney

For a good exhaust of smoke gasses we must obtain a "Venturi" effect. The choice of the smoke canal lid is hereby very important. The extension above the roof needs a minimum height. More information you can obtain at your stove specialist.



Use instructions

The smoke suction is realised by the joined pieces (flue pipe) to the chimney. The oxygen air is sucked through the stove. Therefore we have to take this in account when the stove is installed in a room with hermetically closed doors and windows. The registered fuel mass of ca 1,5kg the wood stove deprives a pressure of 20m air per hour.

• For the dimensions of the chimney DIN 4705 by the wood stove type "Futura 01-03 and Futura Cerchi 01-03" apply the following conditions:

By nominal capacity	(6,0 kW)	
Mass stream of the combustion product	g/s	7,9
Temperature of the combustion product	C	390
The necessary air pressure	mbar	0,10
By 0,8-nominal capacity		
The necessary air pressure	Mbar	0,07

• For the dimensions of the chimney DIN 4705 by the wood stove type "Carlotta & Isabella" apply the following conditions:

By nominal capacity	(6,5 kW)	
Mass stream of the combustion product	g/s	6,7
Temperature of the combustion product	C	400
The necessary air pressure	mbar	0,10
By 0,8-nominal capacity		
The necessary air pressure	Mbar	0,08

The wood: our fuel

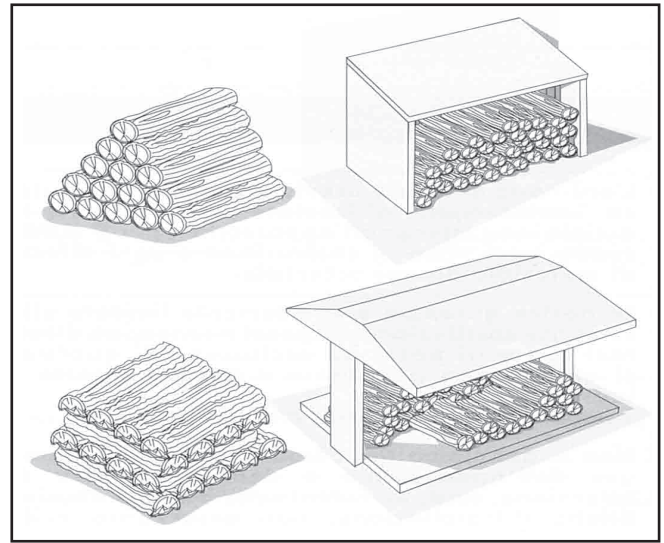
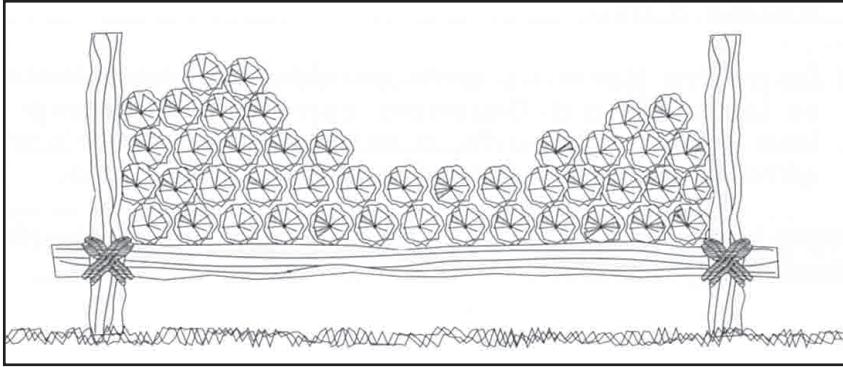
As fuel we only use complete dry and natural wood (fluid residue 20%, after 2 years dried wood protected against weather influence is used). Other "inflammable" materials, which are wet, varnished or imprinted wood, chipboard, house trash or objects with harmful substances for the environment may not be burned. If you do not follow this instruction, you will lose the guarantee on the firebox.

The developed warmth of burning wood absorbs the vaporisation of water.

Where the water will result in a loss of high temperature: that is why complete dry wood is best suited.

The suggested dimensions of wood blocks are around 20cm.

The ideal (thickness) of wood blocks are 8-10cm.



Instruction to the use of the stove

After that the flue pipe is correctly installed and closed you can use the stove. On the grill you put some paper and dried fine wood. Of course you can also use kindling (out of the shops) to set the stove in fire.

You set fire to the paper and turn the knob open to regulate the primary air. You wait until the wood burns. In addition you can fill the stove completely. To obtain the nominal capacity you need ca 2 kg (1-2 blocks) wood.

By the nominal capacity this fuel mixture will burn ca 1 hour. Afterwards you can add new blocks in front or at the back of the air knob. You can add some more fuel if you can not obtain the nominal capacity. This way you will be able to prolong your heating time.

Interior cleaning

The development of ashes is limited. If you live up to the instructions how to adjust the air supply correctly. It is more than wisely to empty regularly the ash tray.

This is needed for easy maintenance of the wood stove.

Exterior cleaning

The development of ashes is limited. If you live up to the instructions how to adjust the air supply correctly. It is more than wisely to empty regularly the ash tray.

This is needed for easy maintenance of the wood stove.

Castelmonte will bring you a pleasant warmth and an agreeable time!

CASTELMONTE

Le grandi stufe a legna italiane

CASTELMONTE s.r.l. - www.castelmonte.com

Castelmonte BeNeLux bvba - Kortrijksestraat 94 - B-8020 Oostkamp - E-mail: info@castelmonte-benelux.com - Internet: www.castelmonte-benelux.com